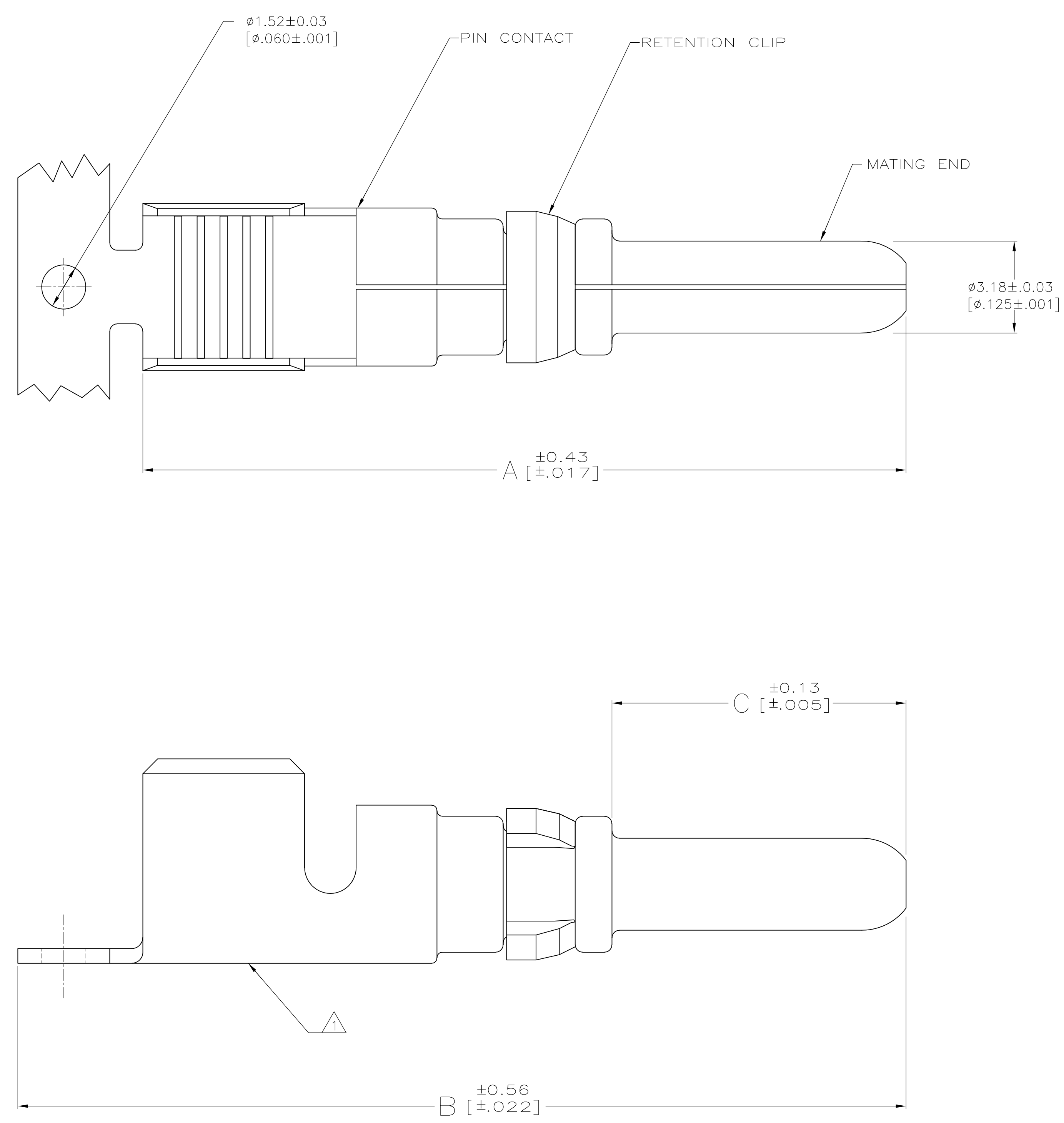
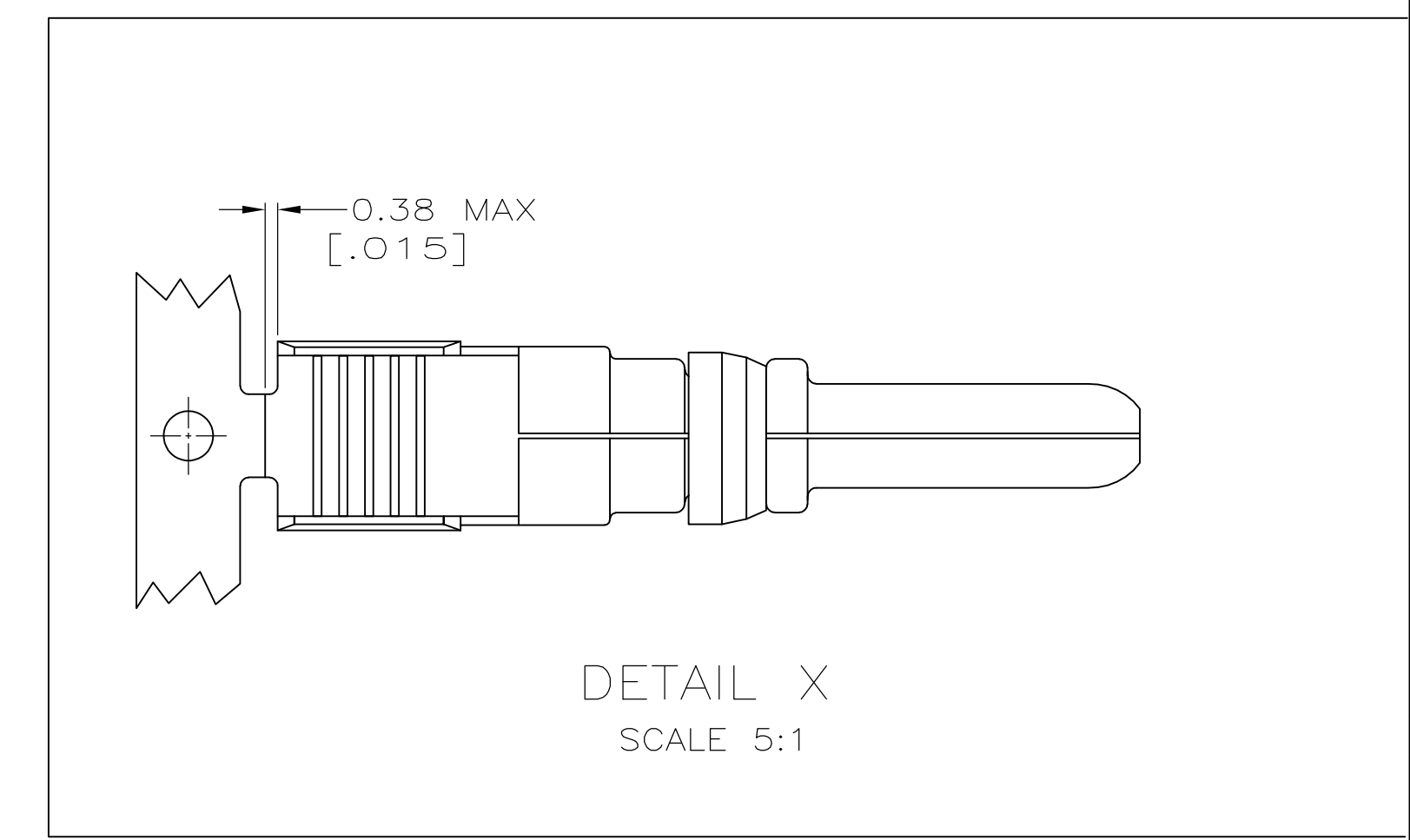


REVISIONS					
P	LYR	DESCRIPTION	DATE	DWN	APVD
B2		REVISED PER ECO-16-004223	19JUL2016	NK	MZ



- 1 WIRE SIZE AND LOGO APPEAR ON OUTSIDE OF WIRE BARREL.
- 2 RETENTION CLIP: PHOSPHOR BRONZE PER QQ-B-750.
PIN CONTACT: COPPER PER QQ-C-576.
- 3 PIN CONTACT: $0.76\mu\text{m}$ [$.000030$] MIN GOLD PER MIL-G-45204 ON CONTACT MATING END, GOLD FLASH ON REMAINDER, ALL OVER $1.27\mu\text{m}$ [$.000050$] MIN NICKEL PER QQ-N-390.
RETENTION CLIP: $2.54\mu\text{m}$ [$.000100$] MIN NICKEL PER QQ-N-290.
- 4 PIN CONTACT: $5.08\mu\text{m}$ [$.000200$] MIN SILVER PER QQ-S-365 ON CONTACT MATING END, $1.27\mu\text{m}$ [$.000050$] MIN SILVER ON REMAINDER, ALL OVER $1.27\mu\text{m}$ [$.000050$] MIN NICKEL PER QQ-N-290.
RETENTION CLIP: $2.54\mu\text{m}$ [$.000100$] MIN NICKEL PER QQ-N-290.



FINISH	C	B	A	LOOSE PIECE	PART NUMBER
3	12.32 [.485]	-	28.52 [1.123]	DETAIL X	213841-8
4	12.32 [.485]	-	28.52 [1.123]	DETAIL X	213841-7
3	12.32 [.485]	32.84 [1.293]	28.52 [1.123]	-	213841-6
4	12.32 [.485]	32.84 [1.293]	28.52 [1.123]	-	213841-5
3	10.16 [.400]	-	26.37 [1.038]	DETAIL X	213841-4
4	10.16 [.400]	-	26.37 [1.038]	DETAIL X	213841-3
3	10.16 [.400]	30.68 [1.208]	26.37 [1.038]	-	213841-2
4	10.16 [.400]	30.68 [1.208]	26.37 [1.038]	-	213841-1

OBSOLETE

THIS DRAWING IS A CONTROLLED DOCUMENT.

DIMENSIONS: mm [INCHES]

TOLERANCES UNLESS OTHERWISE SPECIFIED:

0. PLC	±	-
1. PLC	±	-
2. PLC	±	-
3. PLC	±	-
4. PLC	±	-
ANGLES	±	-

MATERIAL: SEE TABLE

FINISH: SEE TABLE

THIS DRAWING IS A CONTROLLED DOCUMENT. DIN C. OBERMAN 21 MAR 96. CHK R. STONE 25 MAR 96. APVD G. STEINHÄUER 26 MAR 96. NAME: PIN CONTACT ASSEMBLY 8-10 AWG, POWERBAND, METRIMATE. APPLICATION SPEC: METRIMATE. SIZE: A1. CAGE CODE: 00779. DRAWING NO: 213841. WEIGHT: -. RESTRICTED TO: CUSTOMER DRAWING. SCALE: 10:1. SHEET: 1 OF 1. REV: B2.

STE TE Connectivity

X-ON Electronics

Largest Supplier of Electrical and Electronic Components

Click to view similar products for [Standard Circular Contacts](#) category:

Click to view products by [TE Connectivity](#) manufacturer:

Other Similar products are found below :

[RC16M23J](#) [133780-1](#) [RM20M13D28](#) [RM24M9D28](#) [RMMX110-1D28](#) [MS3474W10-6P L/C](#) [ELVP16100E](#) [164-901-CD](#) [EN3545007SCE](#)
[BV002BSQ20049CZ](#) [BV002SSQ160404CZ](#) [1900ND05S1B00B](#) [166566-1](#) [1900ND04S1X00D](#) [ST-JL05-16S-C3-100](#) [ST-JL05-20S-C1-100](#)
[ST-JL05-20S-C2-100](#) [T01-CRIMP-S03](#) [APK-SA16A07-002](#) [27963-15T12](#) [CONT-JL05-08S-C2-10](#) [CONT-JL05-12S-C1-10](#) [RC16M-23T](#)
[RFD26L-1D28](#) [BV002ASJ16049CW](#) [JN1-22-20S-R-PKG100](#) [031-50213](#) [031-50565](#) [031-50794](#) [SJS861301M](#) [ST-JL05-16S-C1-100](#) [ST-](#)
[JL05-20P-C1-100](#) [82911466K](#) [192991-0087](#) [192900-0570](#) [44-100-1414P-1000-101](#) [T3P16FC3LZ](#) [ST-JL05-16S-C2-3500](#) [ZP-4016-10NF](#)
[CONT-JL05-12P-C1-10](#) [RM20M12G8D28](#) [031-50676](#) [12115010110](#) [RJFTVC2MG](#) [CAP-DACMDPC2](#) [031-50675-002](#) [CAP-DD1FDPC2](#)
[CAP-DACMDPC1](#) [031-50966-010](#) [ASSP-10-F-A-C-SA](#)