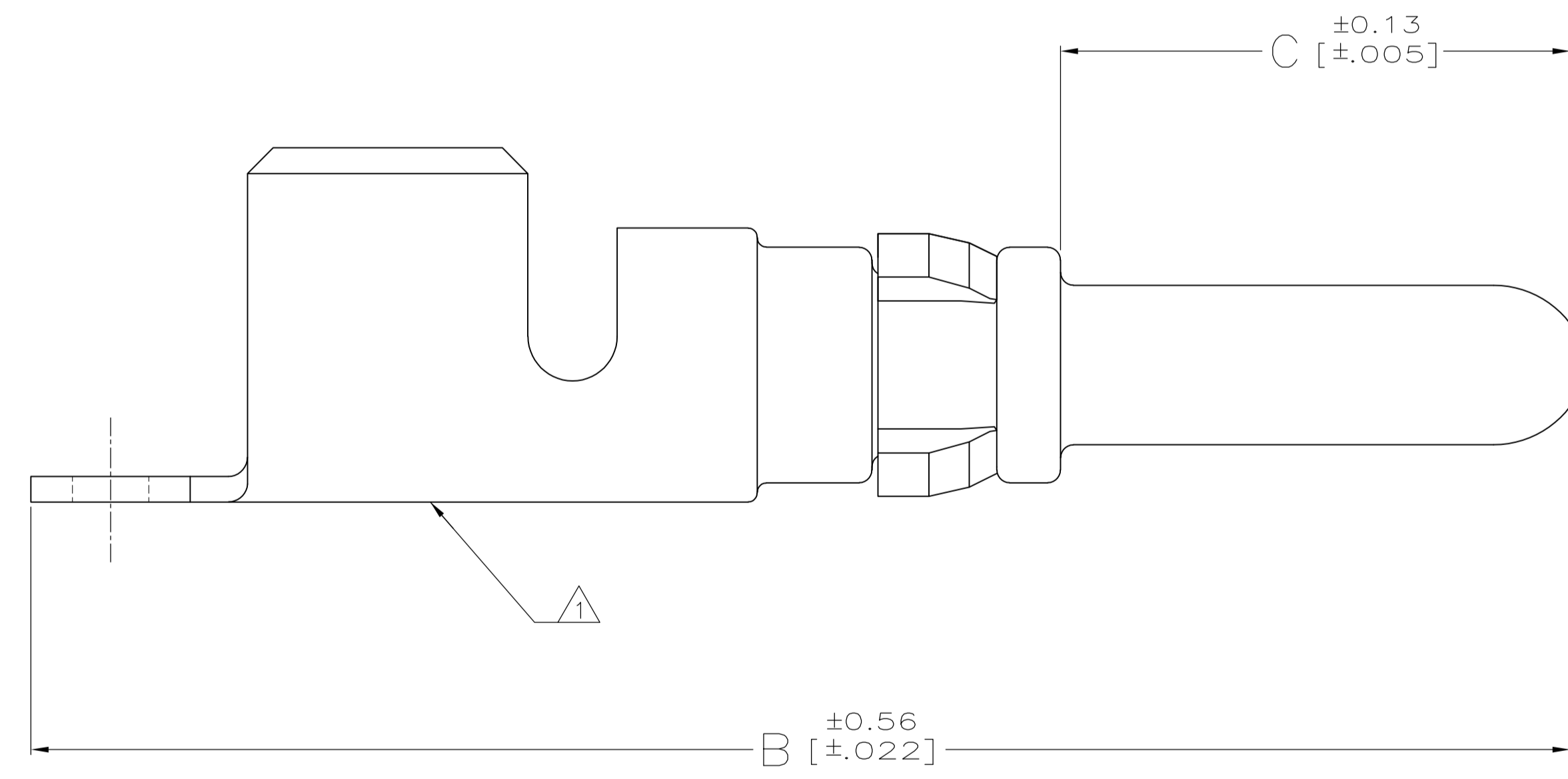
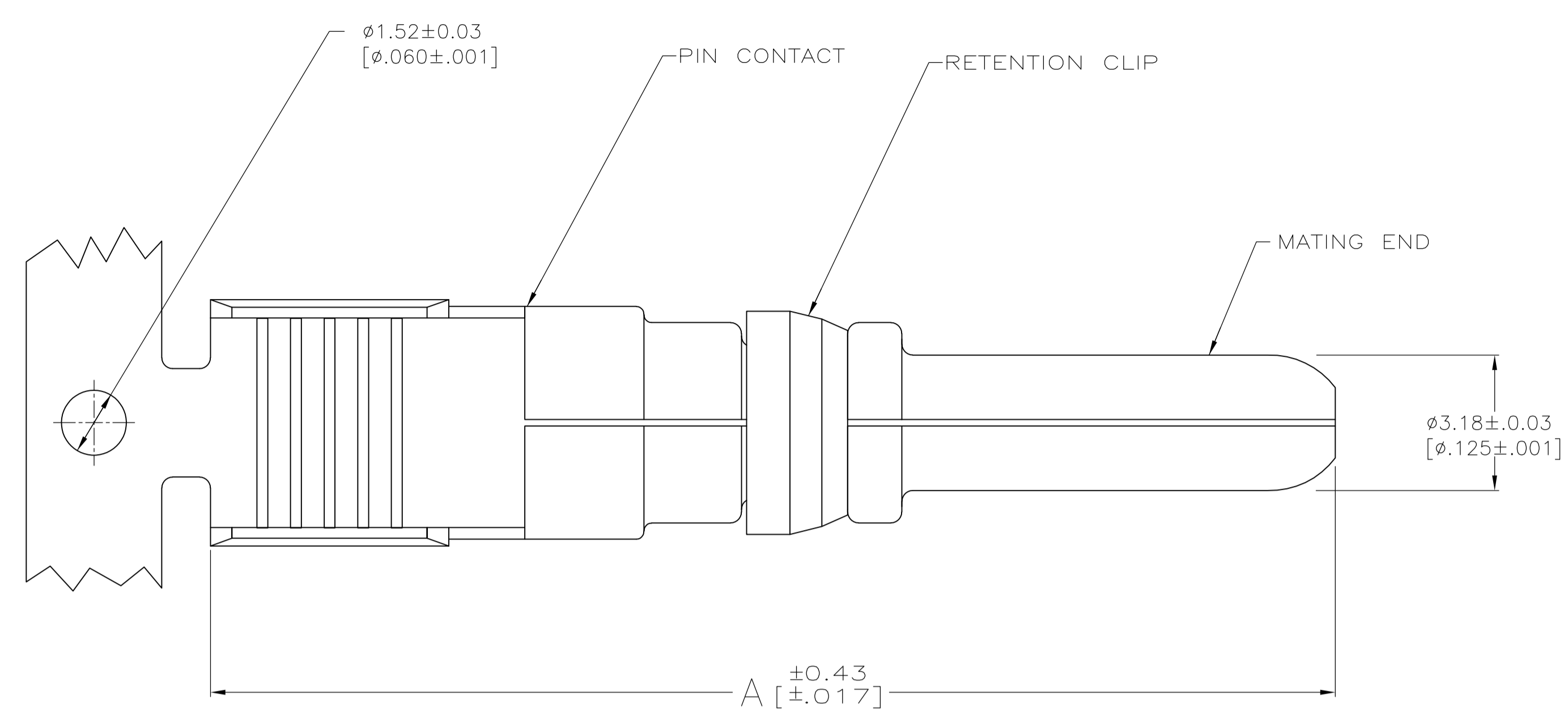
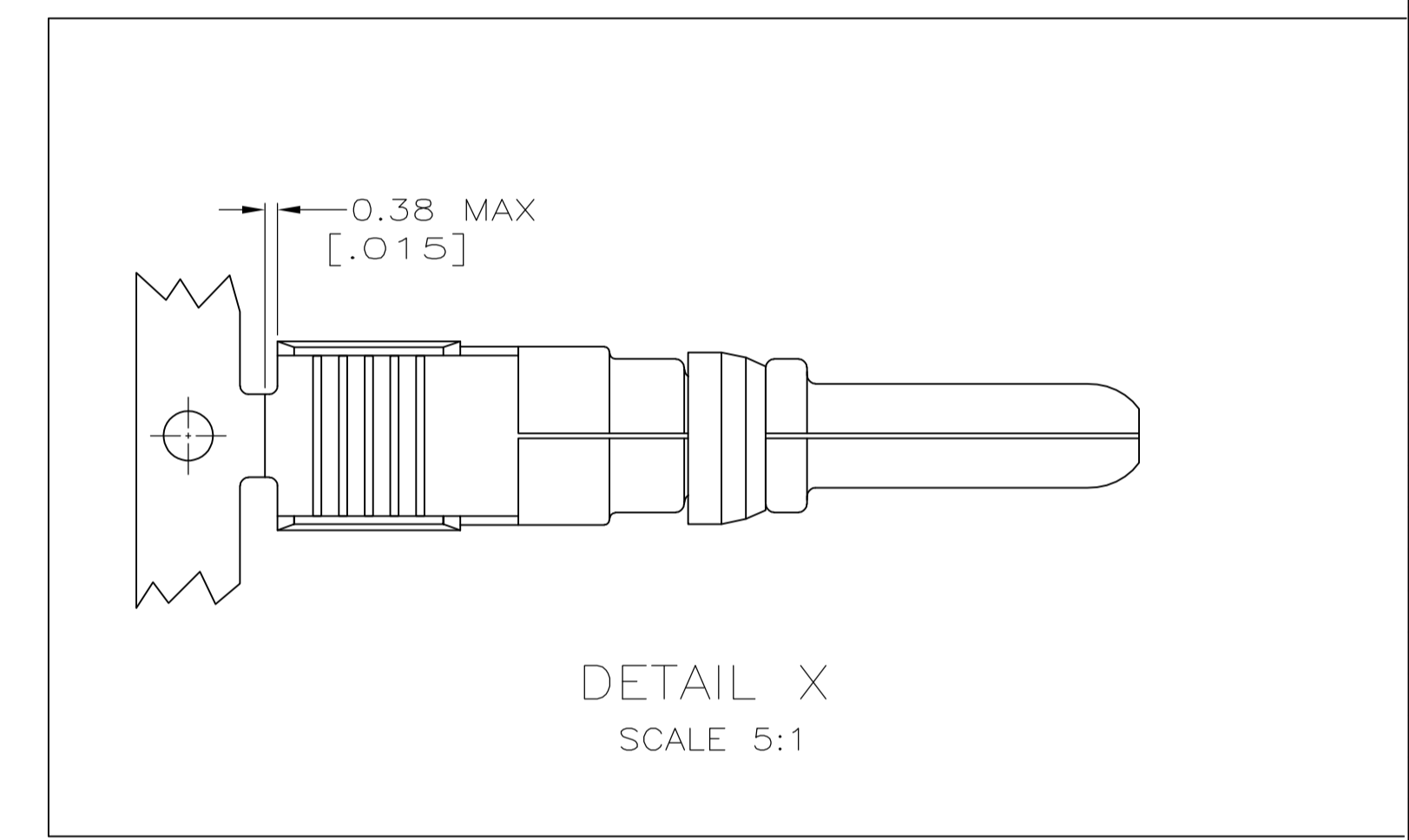


REVISIONS					
P	LTR	DESCRIPTION	DATE	DWN	APVD
B2		REVISED PER ECO-16-004223	19JUL2016	NK	MZ



- 1 WIRE SIZE AND LOGO APPEAR ON OUTSIDE OF WIRE BARREL.
- 2 RETENTION CLIP: PHOSPHOR BRONZE PER QQ-B-750.
PIN CONTACT: COPPER PER QQ-C-576.
- 3 PIN CONTACT: 0.76µm [.000030] MIN GOLD PER MIL-G-45204 ON CONTACT MATING END, GOLD FLASH ON REMAINDER, ALL OVER 1.27µm [.000050] MIN NICKEL PER QQ-N-390.
RETENTION CLIP: 2.54µm [.000100] MIN NICKEL PER QQ-N-290.
- 4 PIN CONTACT: 5.08µm [.000200] MIN SILVER PER QQ-S-365 ON CONTACT MATING END, 1.27µm [.000050] MIN SILVER ON REMAINDER, ALL OVER 1.27µm [.000050] MIN NICKEL PER QQ-N-290.
RETENTION CLIP: 2.54µm [.000100] MIN NICKEL PER QQ-N-290.



OBSOLETE	3	12.32 [.485]	-	28.52 [1.123]	DETAIL X	213841-8
	4	12.32 [.485]	-	28.52 [1.123]	DETAIL X	213841-7
	3	12.32 [.485]	32.84 [1.293]	28.52 [1.123]	-	213841-6
	4	12.32 [.485]	32.84 [1.293]	28.52 [1.123]	-	213841-5
	3	10.16 [.400]	-	26.37 [1.038]	DETAIL X	213841-4
	4	10.16 [.400]	-	26.37 [1.038]	DETAIL X	213841-3
	3	10.16 [.400]	30.68 [1.208]	26.37 [1.038]	-	213841-2
	4	10.16 [.400]	30.68 [1.208]	26.37 [1.038]	-	213841-1
FINISH		C	B	A	LOOSE PIECE	PART NUMBER

THIS DRAWING IS A CONTROLLED DOCUMENT.

DIMENSIONS: mm [INCHES]	TOLERANCES UNLESS OTHERWISE SPECIFIED:	DIN C. OBERMAN 21 MAR 96	APVD G. STEINHÄUER 26 MAR 96	NAME G. STEINHÄUER	RESTRICTED TO
0 PLC ± -	1 PLC ± -	CHK R. STONE 25 MAR 96	SIZE A1	CAGE CODE 00779	DRAWING NO 213841
2 PLC ± -	3 PLC ± -	APVD G. STEINHÄUER 26 MAR 96	WEIGHT	SCALE 10:1	SHEET 1 of 1
4 PLC ± -	ANGLES ± -	APPLICATION SPEC	CUSTOMER DRAWING	REV B2	

MATERIAL: SEE TABLE

STE TE Connectivity

PIN CONTACT ASSEMBLY
8-10 AWG, POWERBAND,
METRIMATE

X-ON Electronics

Largest Supplier of Electrical and Electronic Components

Click to view similar products for [Standard Circular Contacts](#) category:

Click to view products by [TE Connectivity](#) manufacturer:

Other Similar products are found below :

[RC16M23J](#) [133780-1](#) [RM20M13D28](#) [RM24M9D28](#) [RMMX110-1D28](#) [MS3474W10-6P L/C](#) [ELFH02211](#) [ELVP16100E](#) [164-901-CD](#)
[EN3545007SCE](#) [BV002BSQ20049CZ](#) [BV002SSQ160404CZ](#) [1900ND05S1B00B](#) [166566-1](#) [1900ND04S1X00D](#) [ST-JL05-16S-C3-100](#) [ST-](#)
[JL05-20S-C1-100](#) [ST-JL05-20S-C2-100](#) [T01-CRIMP-S03](#) [APK-SA16A07-002](#) [27963-15T12](#) [CONT-JL05-08S-C2-10](#) [CONT-JL05-12S-C1-](#)
[10](#) [RC16M-23T](#) [RFD26L-1D28](#) [BV002ASJ16049CW](#) [JN1-22-20S-R-PKG100](#) [031-50213](#) [031-50565](#) [031-50794](#) [ELFP0641GE](#)
[SJS861301M](#) [ST-JL05-16S-C1-100](#) [ST-JL05-20P-C1-100](#) [82911466K](#) [192991-0087](#) [192900-0570](#) [44-100-1414P-1000-101](#) [T3P16FC3LZ](#)
[ST-JL05-16S-C2-3500](#) [ZP-4016-10NF](#) [CONT-JL05-12P-C1-10](#) [RM20M12G8D28](#) [031-50676](#) [12115010110](#) [RJFTVC2MG](#) [CAP-](#)
[DACMDPC2](#) [031-50675-002](#) [CAP-DD1FDPC2](#) [CAP-DACMDPC1](#)