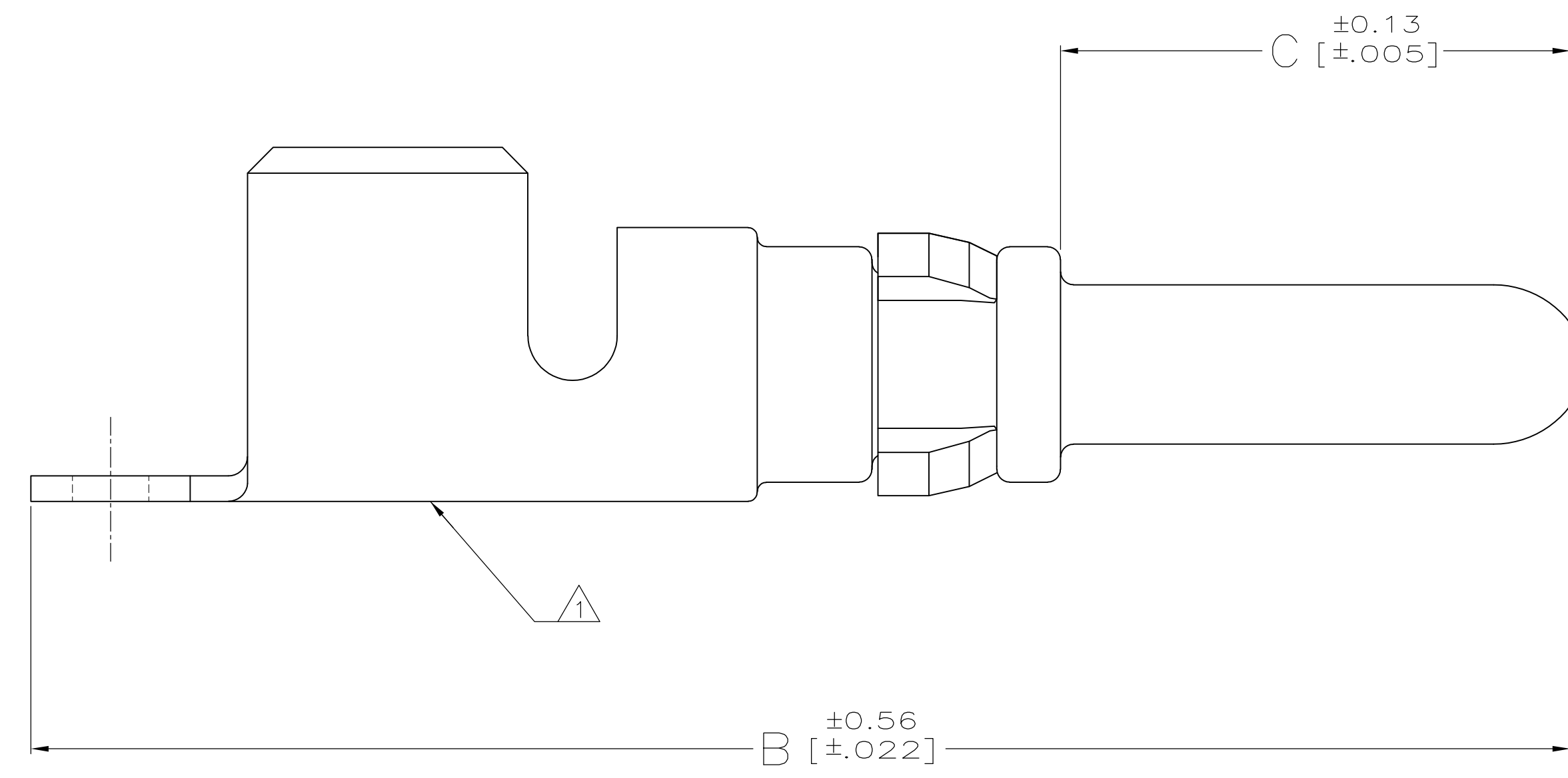
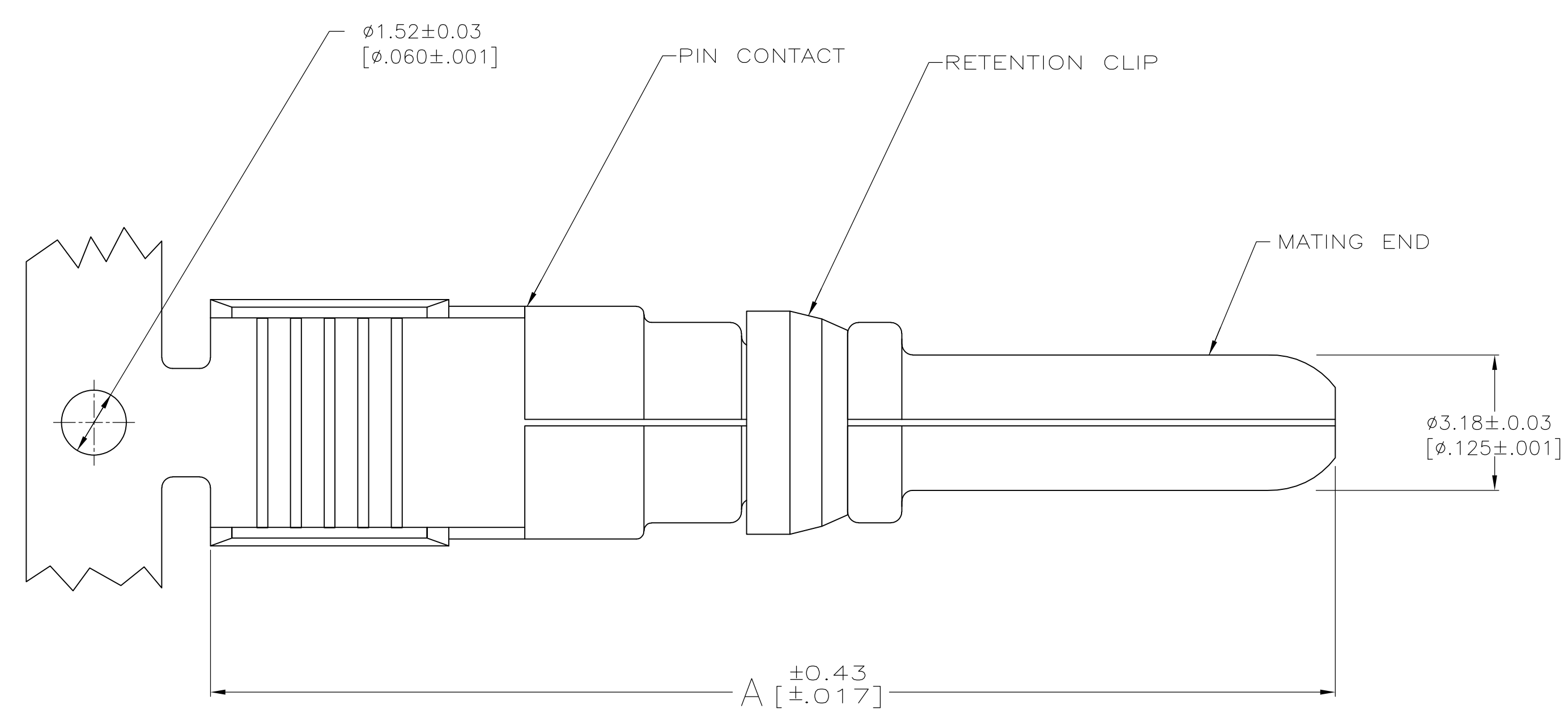
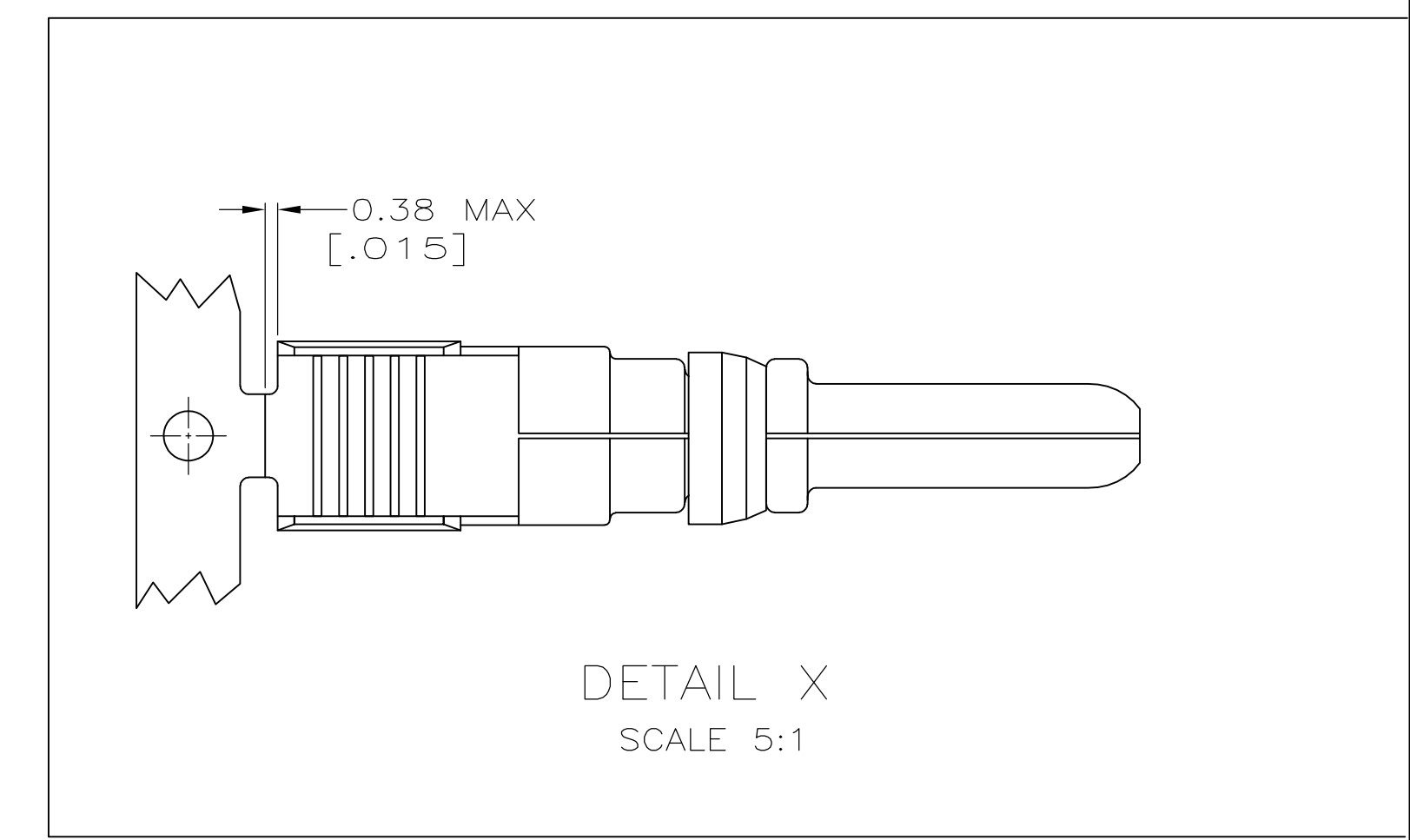


REVISIONS					
REV	BY	DESCRIPTION	DATE	APP'D	REV
B2		REVISED PER ECO-16-004223	19JUL2016	NK	MZ



- 1 WIRE SIZE AND LOGO APPEAR ON OUTSIDE OF WIRE BARREL.
- 2 RETENTION CLIP: PHOSPHOR BRONZE PER QQ-B-750.  
PIN CONTACT: COPPER PER QQ-C-576.
- 3 PIN CONTACT: 0.76µm [.000030] MIN GOLD PER MIL-G-45204 ON CONTACT MATING END, GOLD FLASH ON REMAINDER, ALL OVER 1.27µm [.000050] MIN NICKEL PER QQ-N-390.  
RETENTION CLIP: 2.54µm [.000100] MIN NICKEL PER QQ-N-290.
- 4 PIN CONTACT: 5.08µm [.000200] MIN SILVER PER QQ-S-365 ON CONTACT MATING END, 1.27µm [.000050] MIN SILVER ON REMAINDER, ALL OVER 1.27µm [.000050] MIN NICKEL PER QQ-N-290.  
RETENTION CLIP: 2.54µm [.000100] MIN NICKEL PER QQ-N-290.



REV	DESCRIPTION	DATE	APP'D	REV
3	12.32 [.485] - 28.52 [1.123]			DETAIL X 213841-8
4	12.32 [.485] - 28.52 [1.123]			DETAIL X 213841-7
3	12.32 [.485] 32.84 [1.293] 28.52 [1.123]			- 213841-6
4	12.32 [.485] 32.84 [1.293] 28.52 [1.123]			- 213841-5
3	10.16 [.400] - 26.37 [1.038]			DETAIL X 213841-4
4	10.16 [.400] - 26.37 [1.038]			DETAIL X 213841-3
3	10.16 [.400] 30.68 [1.208] 26.37 [1.038]			- 213841-2
4	10.16 [.400] 30.68 [1.208] 26.37 [1.038]			- 213841-1
FINISH	C B A			LOOSE PIECE PART NUMBER

THIS DRAWING IS A CONTROLLED DOCUMENT. DIN C. OBERMAN 21 MAR 96  
 CHK R. STONE 25 MAR 96  
 APP'D G. STEINHÄUER 26 MAR 96 NAME

**STE** TE Connectivity

PIN CONTACT ASSEMBLY  
 8-10 AWG, POWERBAND,  
 METRIMATE

SIZE: A1 CAGE CODE: 00779 DRAWING NO: 213841 RESTRICTED TO: -  
 WEIGHT: -  
 CUSTOMER DRAWING SCALE: 10:1 SHEET: 1 OF 1 REV: B2

## X-ON Electronics

Largest Supplier of Electrical and Electronic Components

*Click to view similar products for [Standard Circular Contacts](#) category:*

*Click to view products by [TE Connectivity](#) manufacturer:*

Other Similar products are found below :

[RC16M23J](#) [133780-1](#) [RM20M13D28](#) [RM24M9D28](#) [RMMX110-1D28](#) [MS3474W10-6P L/C](#) [ELVP16100E](#) [164-901-CD](#) [EN3545007SCE](#)  
[BV002BSQ20049CZ](#) [BV002SSQ160404CZ](#) [1900ND05S1B00B](#) [166566-1](#) [1900ND04S1X00D](#) [ST-JL05-16S-C3-100](#) [ST-JL05-20S-C1-100](#)  
[ST-JL05-20S-C2-100](#) [T01-CRIMP-S03](#) [APK-SA16A07-002](#) [27963-15T12](#) [CONT-JL05-08S-C2-10](#) [CONT-JL05-12S-C1-10](#) [RC16M-23T](#)  
[RFD26L-1D28](#) [BV002ASJ16049CW](#) [JN1-22-20S-R-PKG100](#) [031-50213](#) [031-50565](#) [031-50794](#) [SJS861301M](#) [ST-JL05-16S-C1-100](#) [ST-](#)  
[JL05-20P-C1-100](#) [82911466K](#) [192991-0087](#) [192900-0570](#) [44-100-1414P-1000-101](#) [T3P16FC3LZ](#) [ST-JL05-16S-C2-3500](#) [ZP-4016-10NF](#)  
[CONT-JL05-12P-C1-10](#) [RM20M12G8D28](#) [031-50676](#) [12115010110](#) [RJFTVC2MG](#) [CAP-DACMDPC2](#) [031-50675-002](#) [CAP-DD1FDPC2](#)  
[CAP-DACMDPC1](#) [031-50966-010](#) [ASSP-10-F-A-C-SA](#)