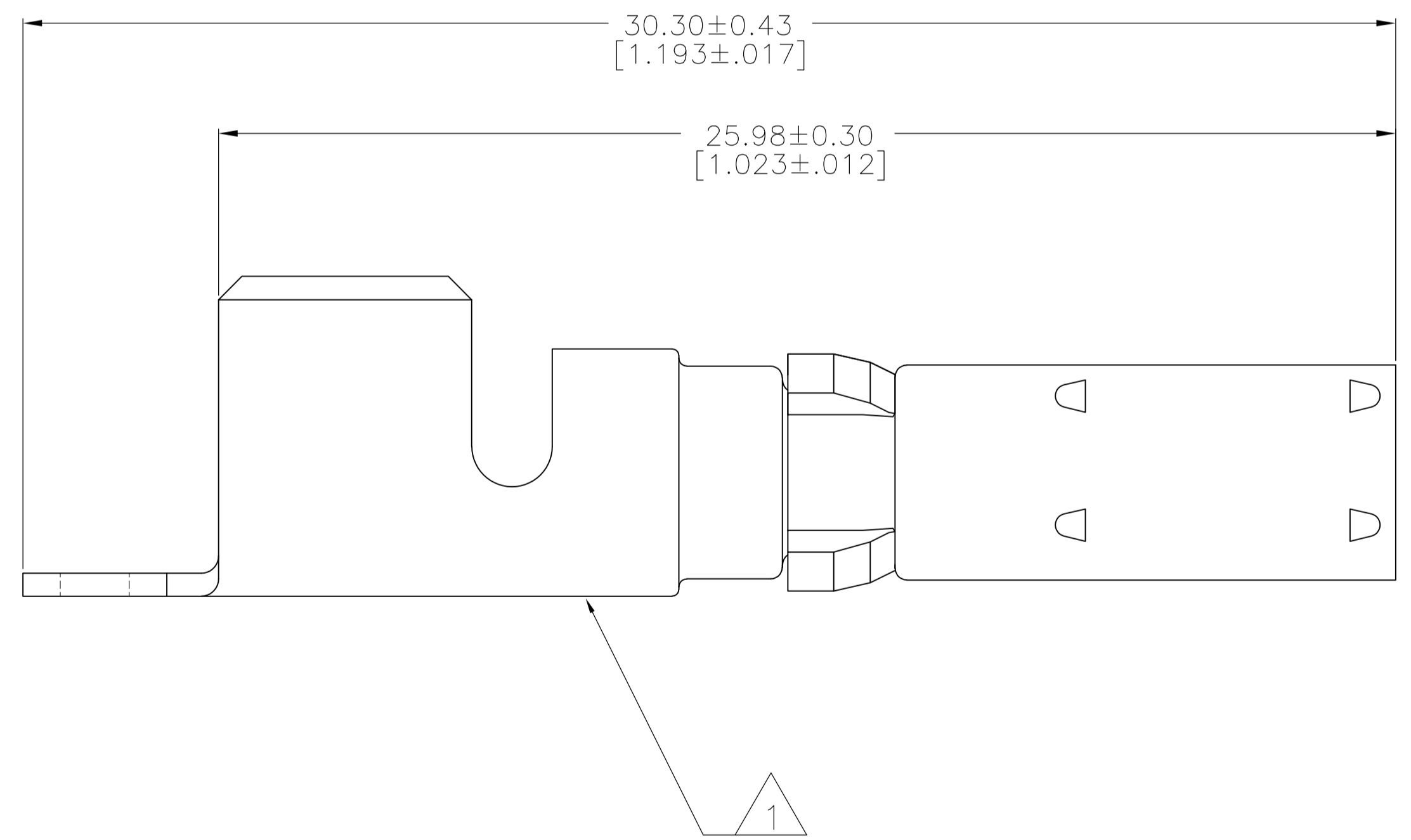
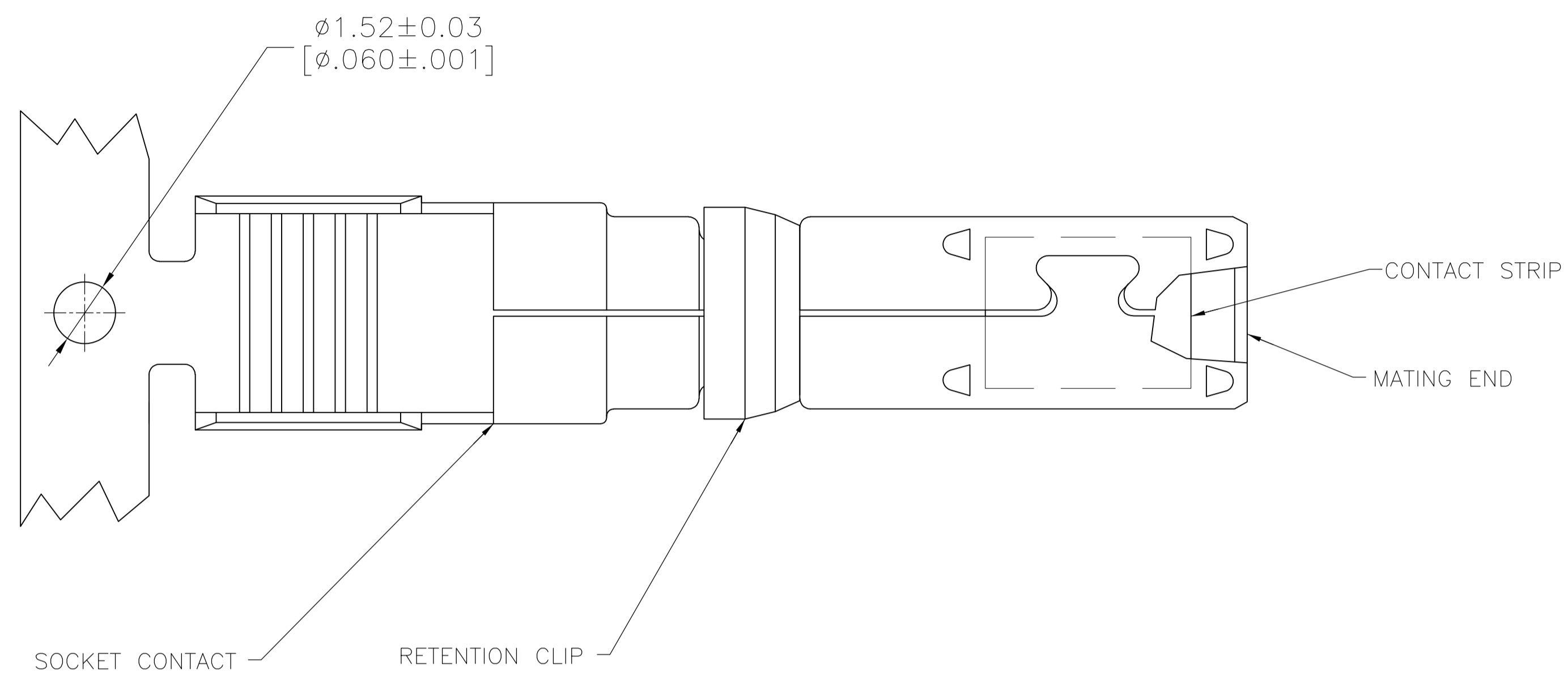
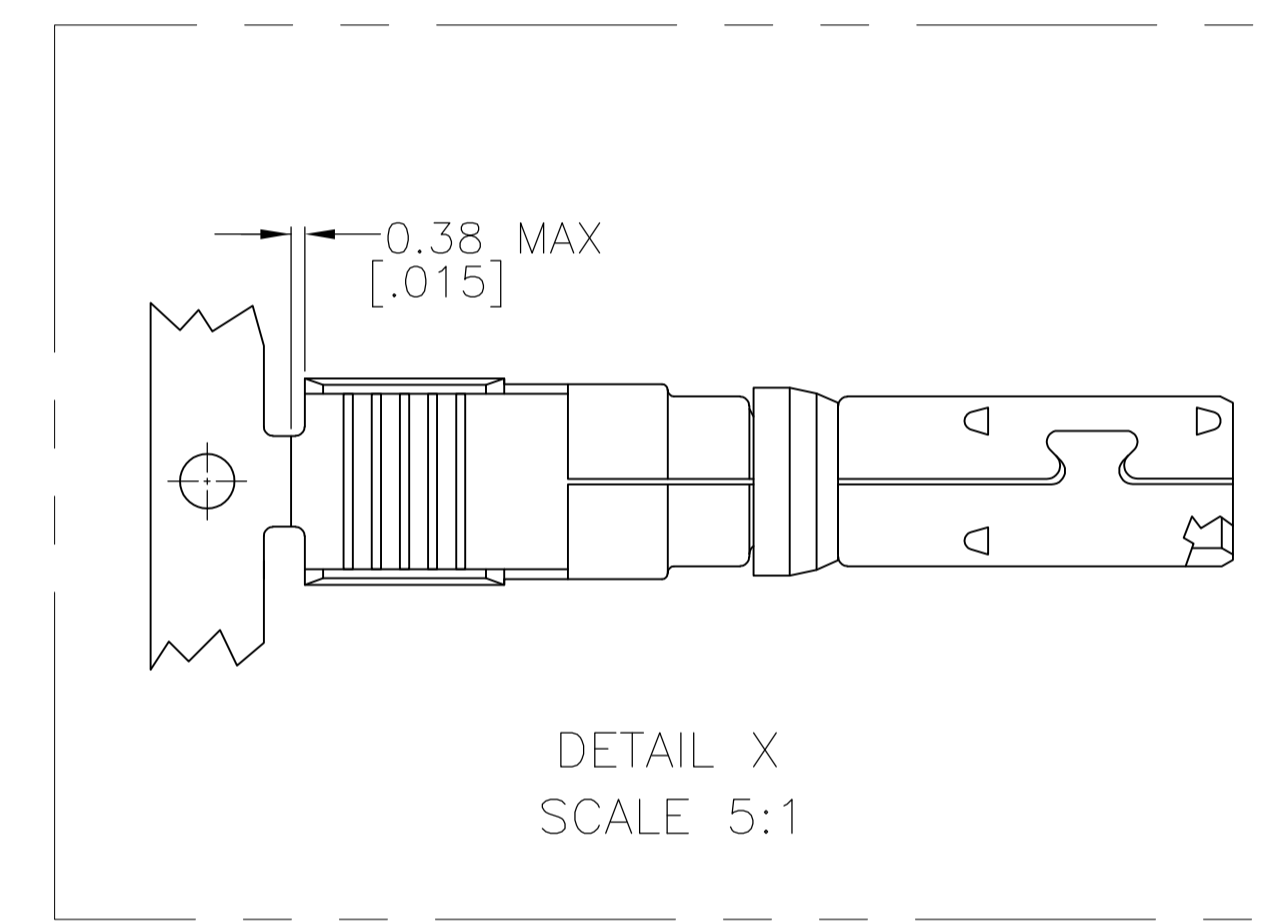


LOC		DIST		REVISIONS			
FT	13	REV	BY	DESCRIPTION	DATE	DMN	APVD
B2	REVISED PER	ECO-15-018367			25DEC2015	NK	MZ



- △ WIRE SIZE AND AMP LOGO APPEAR ON OUTSIDE OF WIRE BARREL.
- △ SOCKET CONTACT: 0.38[m] [.000015] MIN GOLD PER MIL-G-45204 ON CONTACT MATING END, GOLD FLASH ON REMAINDER , ALL OVER 1.27[m] [.000050] MIN NICKEL PER QQ-N-390.  
CONTACT STRIP: 0.76[m] [.000030] MIN GOLD PER MIL-G-45204 OVER 1.02[m] [.000040] MIN NICKEL PER QQ-N-390.  
RETENTION CLIP: 2.54[m] [.000100] MIN NICKEL PER QQ-N-290.
- △ RETENTION CLIP: PHOSPHOR BRONZE PER QQ-B-750.  
SOCKET CONTACT: COPPER PER QQ-C-576.  
CONTACT STRIP: BERYLLIUM COPPER PER QQ-C-533.
- △ SOCKET CONTACT: 1.27[m] [.000050] MIN SILVER PER QQ-S-365, ALL OVER 1.27[m] [.000050] MIN NICKEL PER QQ-N-290.  
CONTACT STRIP: 5.08[m] [.000200] MIN SILVER PER QQ-S-365, ALL OVER 1.02[m] [.000040] MIN NICKEL PER QQ-N-290.  
RETENTION CLIP: 2.54[m] [.000100] MIN NICKEL PER QQ-N-290.
- △ CONTACTS WITHOUT RETENTION CLIPS ARE TO BE USED ONLY WITH THE FORGE DRAWER CONNECTORS.



NO	REV	DESCRIPTION	PART NUMBER
5	4	DETAIL X	213843-7
	4	-	213843-5
YES	2	DETAIL X	213843-4
	4	DETAIL X	213843-3
	2	-	213843-2
	4	-	213843-1
RETENTION CLIP	FINISH	LOOSE PIECE	PART NUMBER

THIS DRAWING IS A CONTROLLED DOCUMENT.

DIMENSIONS: mm [INCHES]	TOLERANCES UNLESS OTHERWISE SPECIFIED:	DMN: C. OBERMAN 21 MAR 96	APVD: G. STEINHÄUER 26 MAR 96	NAME: SOCKET CONTACT ASSEMBLY, 8-10 AWG, POWERBAND, METRIMATE
0 PLC ± -	1 PLC ± -	CHK: R. STONE 25 MAR 96	PRODUCT SPEC	SIZE: A1
2 PLC ± -	3 PLC ± -	APVD: G. STEINHÄUER 26 MAR 96	APPLICATION SPEC	WEIGHT: -
4 PLC ± -	ANGLES ± -	RESTRICTED TO	SCALE: 10:1	SHEET: 1 OF 1
MATERIAL: SEE TABLE	FINISH: SEE TABLE	WEIGHT: -	SCALE: 10:1	SHEET: 1 OF 1
		WEIGHT: -	SCALE: 10:1	SHEET: 1 OF 1
		WEIGHT: -	SCALE: 10:1	SHEET: 1 OF 1

CUSTOMER DRAWING

## X-ON Electronics

Largest Supplier of Electrical and Electronic Components

*Click to view similar products for [Standard Circular Contacts](#) category:*

*Click to view products by [TE Connectivity](#) manufacturer:*

Other Similar products are found below :

[RC16M23J](#) [133780-1](#) [RM20M13D28](#) [RM24M9D28](#) [RMMX110-1D28](#) [MS3474W10-6P L/C](#) [ELVP16100E](#) [164-901-CD](#) [EN3545007SCE](#)  
[BV002BSQ20049CZ](#) [BV002SSQ160404CZ](#) [1900ND05S1B00B](#) [SJS862201](#) [166566-1](#) [1900ND04S1X00D](#) [ST-JL05-16S-C3-100](#) [ST-JL05-20S-C1-100](#) [ST-JL05-20S-C2-100](#) [T01-CRIMP-S03](#) [APK-SA16A07-002](#) [27963-15T12](#) [CONT-JL05-08S-C2-10](#) [CONT-JL05-12S-C1-10](#)  
[RC16M-23T](#) [RFD26L-1D28](#) [BV002ASJ16049CW](#) [JN1-22-20S-R-PKG100](#) [031-50213](#) [031-50565](#) [031-50794](#) [SJS861301M](#) [ST-JL05-16S-C1-100](#) [ST-JL05-20P-C1-100](#) [82911466K](#) [82911467NK](#) [192991-0087](#) [192900-0570](#) [T3P16FC3LZ](#) [ST-JL05-16S-C2-3500](#) [ZP-4016-10NF](#)  
[CONT-JL05-12P-C1-10](#) [RM20M12G8D28](#) [031-50676](#) [12115010110](#) [RJFTVC2MG](#) [CAP-DACMDPC2](#) [031-50675-002](#) [CAP-DD1FDPC2](#)  
[CAP-DACMDPC1](#) [031-50966-010](#)