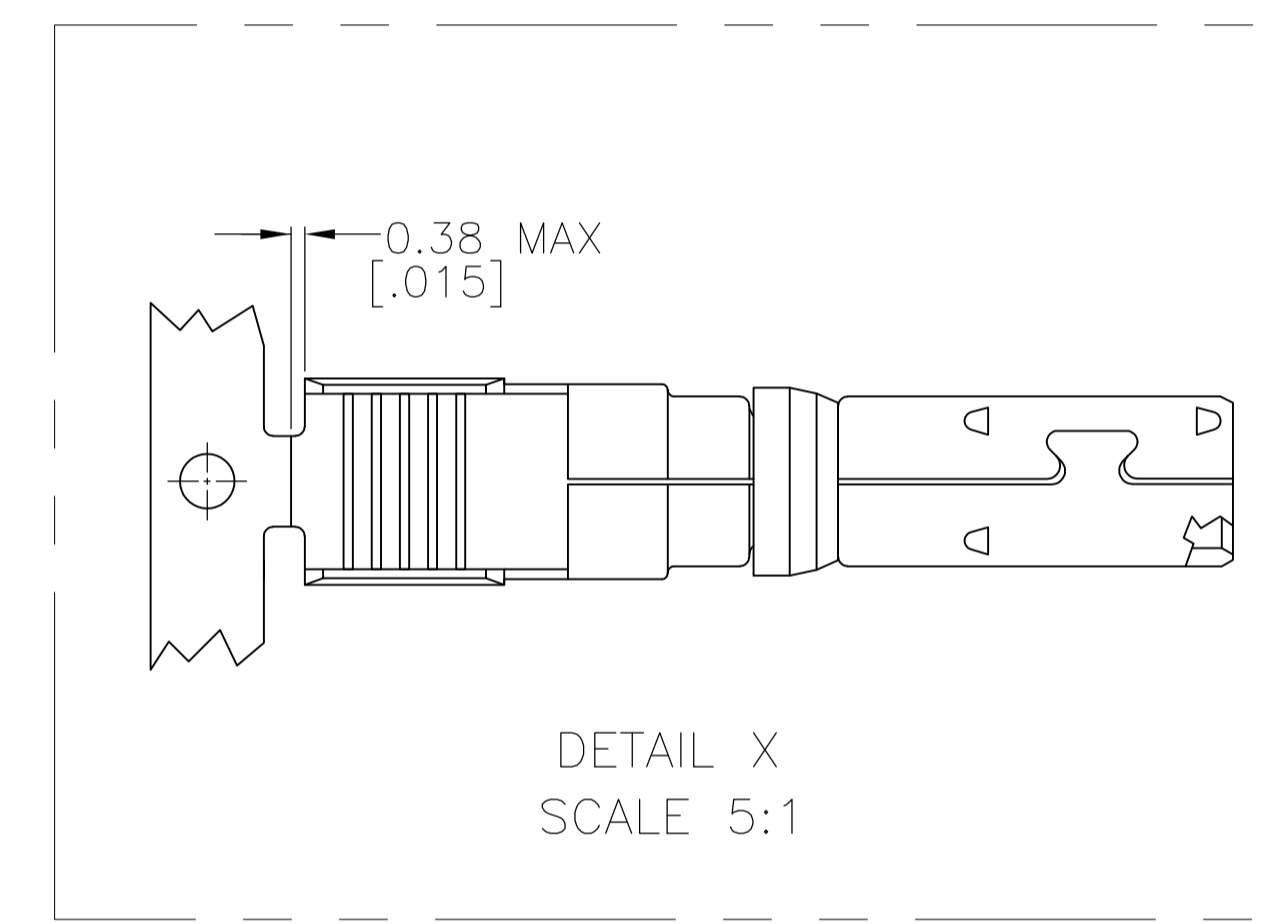


- 1 WIRE SIZE AND AMP LOGO APPEAR ON OUTSIDE OF WIRE BARREL.
- 2 SOCKET CONTACT: 0.38[m [.000015] MIN GOLD PER MIL-G-45204 ON CONTACT MATING END, GOLD FLASH ON REMAINDER , ALL OVER 1.27[m [.000050] MIN NICKEL PER QQ-N-390.
CONTACT STRIP: 0.76[m [.000030] MIN GOLD PER MIL-G-45204 OVER 1.02[m [.000040] MIN NICKEL PER QQ-N-390.
RETENTION CLIP: 2.54[m [.000100] MIN NICKEL PER QQ-N-290.
- 3 RETENTION CLIP: PHOSPHOR BRONZE PER QQ-B-750.
SOCKET CONTACT: COPPER PER QQ-C-576.
CONTACT STRIP: BERYLLIUM COPPER PER QQ-C-533.
- 4 SOCKET CONTACT: 1.27[m [.000050] MIN SILVER PER QQ-S-365, ALL OVER 1.27[m [.000050] MIN NICKEL PER QQ-N-290.
CONTACT STRIP: 5.08[m [.000200] MIN SILVER PER QQ-S-365, ALL OVER 1.02[m [.000040] MIN NICKEL PER QQ-N-290.
RETENTION CLIP: 2.54[m [.000100] MIN NICKEL PER QQ-N-290.
- 5 CONTACTS WITHOUT RETENTION CLIPS ARE TO BE USED ONLY WITH THE FORGE DRAWER CONNECTORS.



NO	5	4	DETAIL X	213843-7
		4	-	213843-5
YES		2	DETAIL X	213843-4
		4	DETAIL X	213843-3
		2	-	213843-2
		4	-	213843-1
RETENTION CLIP		FINISH	LOOSE PIECE	PART NUMBER

THIS DRAWING IS A CONTROLLED DOCUMENT.		DIN C. OBERMAN 21 MAR 96		TE Connectivity	
DIMENSIONS: mm [INCHES]		CIK R. STONE 25 MAR 96			
TOLERANCES UNLESS OTHERWISE SPECIFIED:		APVD G. STEINHÄUER 26 MAR 96		NAME	
0 PLC ± -		PRODUCT SPEC		SOCKET CONTACT ASSEMBLY, 8-10 AWG, POWERBAND, METRIMATE	
1 PLC ± -		APPLICATION SPEC		SIZE	
2 PLC ± -		WEIGHT		CAGE CODE	
3 PLC ± -		A1 00779		DRAWING NO	
4 PLC ± -		C=213843		RESTRICTED TO	
ANGLES ± -		CUSTOMER DRAWING		SCALE 10:1	
SEE TABLE		SHEET 1 OF 1		REV B2	

X-ON Electronics

Largest Supplier of Electrical and Electronic Components

Click to view similar products for [Standard Circular Contacts](#) category:

Click to view products by [TE Connectivity](#) manufacturer:

Other Similar products are found below :

[RC16M23J](#) [133780-1](#) [RM20M13D28](#) [RM24M9D28](#) [RMMX110-1D28](#) [ELFH02211](#) [ELVP16100E](#) [164-901-CD](#) [BACS16X1A](#)
[EN3545007SCE](#) [BV002BSQ20049CZ](#) [BV002SSQ160404CZ](#) [1900ND05S1B00B](#) [SJS862201](#) [166566-1](#) [1900ND04S1X00D](#) [ST-JL05-16S-](#)
[C3-100](#) [ST-JL05-20S-C1-100](#) [ST-JL05-20S-C2-100](#) [T01-CRIMP-S03](#) [APK-SA16A07-002](#) [27963-15T12](#) [CONT-JL05-08S-C2-10](#) [CONT-](#)
[JL05-12S-C1-10](#) [RC16M-23T](#) [RFD26L-1D28](#) [BV002ASJ16049CW](#) [33505815019](#) [JN1-22-20S-R-PKG100](#) [031-50213](#) [031-50794](#)
[ELFH08251](#) [ELFP0641GE](#) [SJS861301M](#) [ST-JL05-16S-C1-100](#) [ST-JL05-20P-C1-100](#) [82911466K](#) [82911467NK](#) [ESLM03200](#) [192991-0087](#)
[192900-0570](#) [ELFH07251](#) [M12883/40-07S](#) [BACS16X3A](#) [T3P16FC3LZ](#) [ST-JL05-16S-C2-3500](#) [ZP-4016-10NF](#) [CONT-JL05-12P-C1-10](#)
[RM20M12G8D28](#) [031-50676](#)