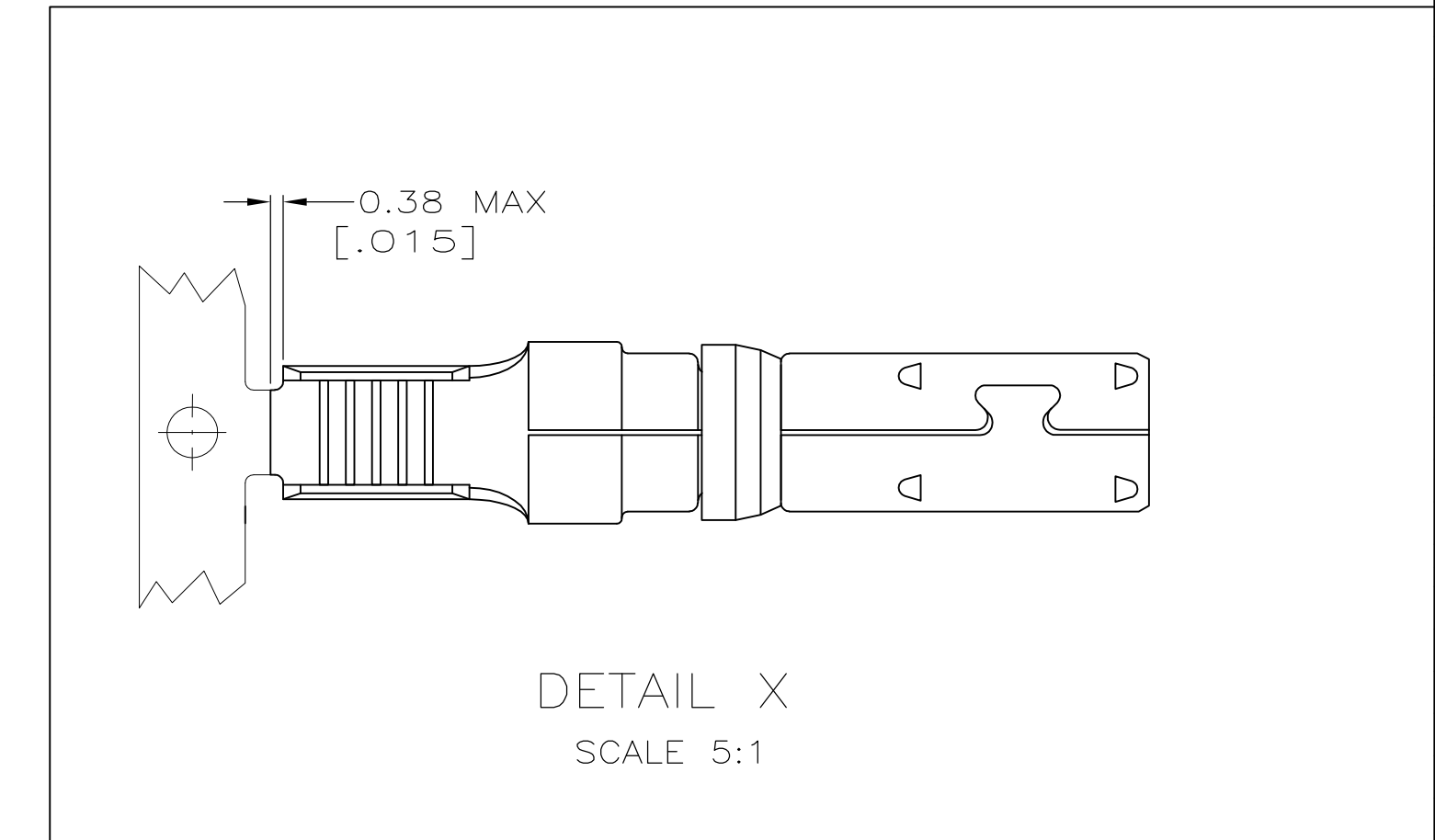
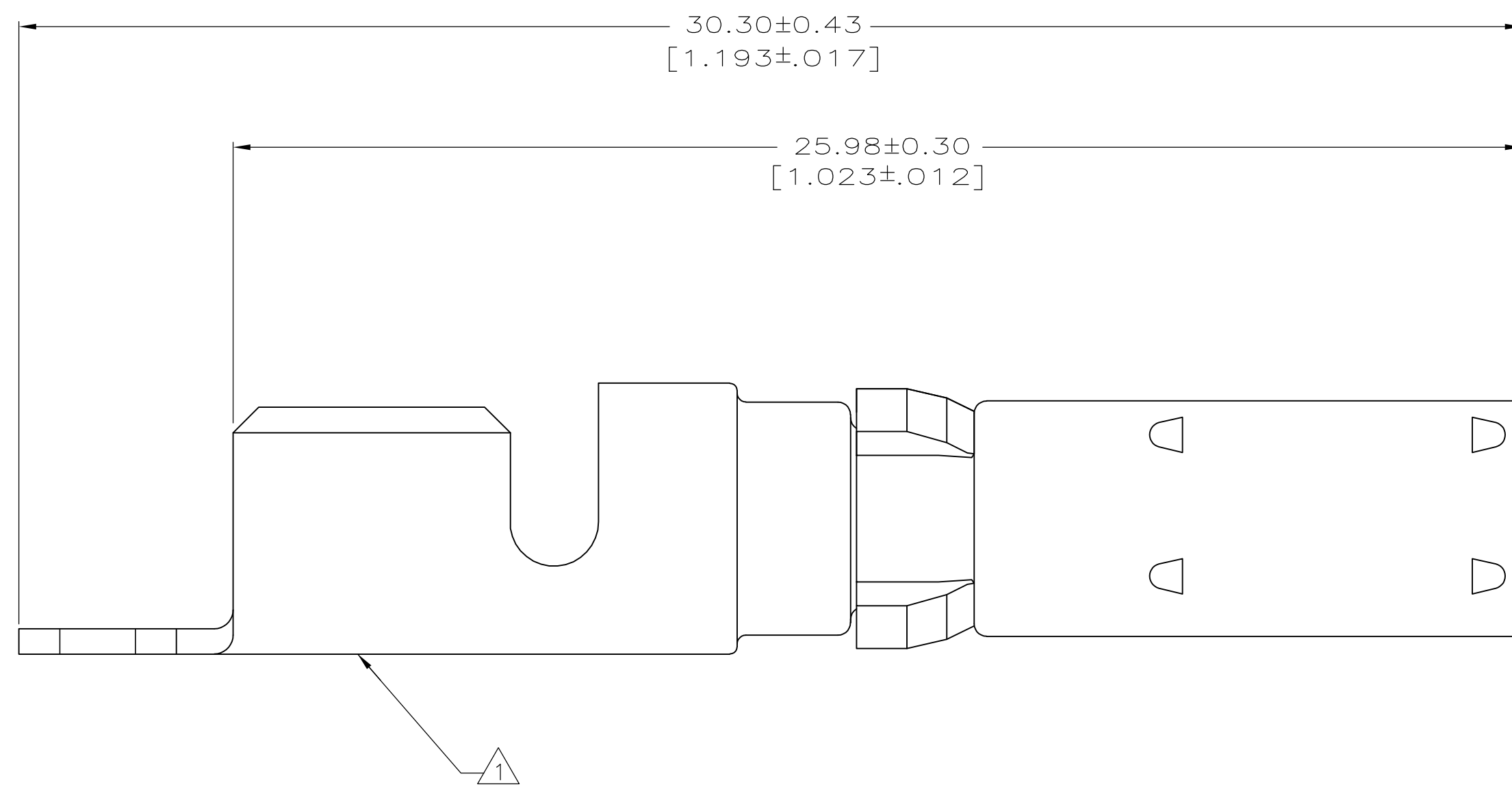
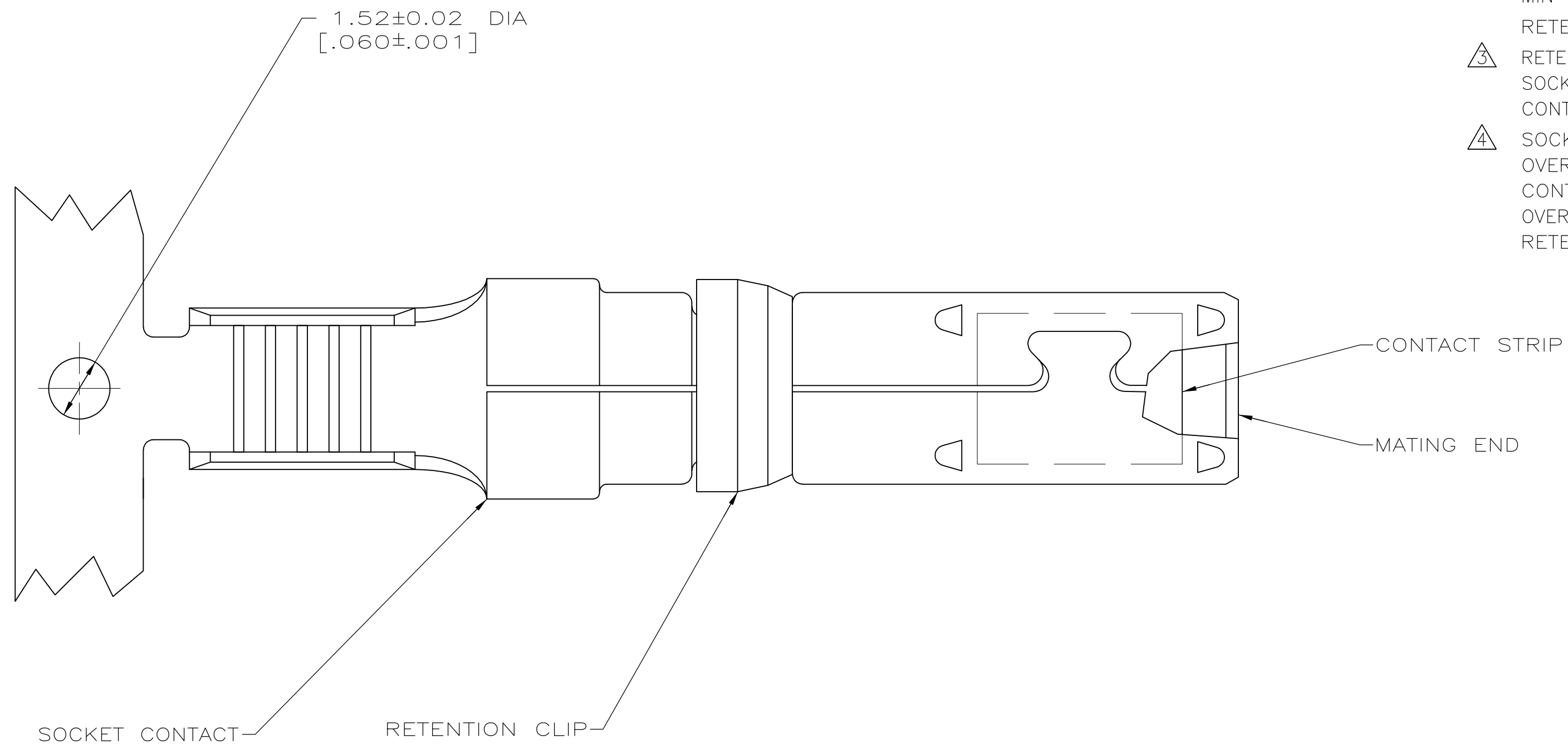


LOC		DIST		REVISIONS			
P	LTR	DESCRIPTION	DATE	DWN	APP'D		
B1		REVISED PER ECO-11-004917	11MAR11	RK	HMR		

- ⚠ WIRE SIZE AND AMP LOGO APPEAR ON OUTSIDE OF WIRE BARREL.
- ⚠ SOCKET & STRIP CONTACT: 0.76 μ [.000030] MIN GOLD PER MIL-G-45204 ON CONTACT MATING END, GOLD FLASH ON REMAINDER, ALL OVER 1.27 μ m [.000050] MIN NICKEL PER QQ-N-390.
- RETENTION CLIP: 2.54 μ m [.000100] MIN NICKEL PER QQ-N-290.
- ⚠ RETENTION CLIP: PHOSPHOR BRONZE PER QQ-B-750.
SOCKET CONTACT: COPPER PER QQ-C-576.
CONTACT STRIP: BERYLLIUM COPPER PER QQ-C-533.
- ⚠ SOCKET CONTACT: 1.27 μ m [.000050] MIN SILVER PER QQ-S-365, ALL OVER 1.27 μ m [.000050] MIN NICKEL PER QQ-N-290.
CONTACT STRIP: 5.08 μ m [.000200] MIN SILVER PER QQ-S-365, ALL OVER 1.02 μ m [.000040] MIN NICKEL PER QQ-N-290.
RETENTION CLIP: 2.54 μ m [.000100] MIN NICKEL PER QQ-N-290.



2	DETAIL X	213847-4
4	DETAIL X	213847-3
2	-	213847-2
4	-	213847-1
FINISH	LOOSE PIECE	PART NUMBER

THIS DRAWING IS A CONTROLLED DOCUMENT. DWN: W.G. LENKER 30 JUL 96
 CHK: R. STONE 05 AUG 96
 APVD: G. STEINHAUER 06 AUG 96

STE TE Connectivity

SOCKET CONTACT ASSEMBLY,
 14-12 AWG, .125
 POWERBAND

DIMENSIONS:	TOLERANCES UNLESS OTHERWISE SPECIFIED:	PRODUCT SPEC	APPLICATION SPEC	SIZE	CAGE CODE	DRAWING NO	RESTRICTED TO
0 PLC	± -			A1	00779	213847	
1 PLC	± -						
2 PLC	± -						
3 PLC	± -						
4 PLC	± -						
ANGLES	± -						

MATERIAL: Δ FINISH: SEE TABLE WEIGHT: - SCALE: 10:1 SHEET 1 OF 1 REV B1

CUSTOMER DRAWING

X-ON Electronics

Largest Supplier of Electrical and Electronic Components

Click to view similar products for [Standard Circular Contacts](#) category:

Click to view products by [TE Connectivity](#) manufacturer:

Other Similar products are found below :

[RC16M23J](#) [133780-1](#) [RM20M13D28](#) [RM24M9D28](#) [RMMX110-1D28](#) [ELFH02211](#) [ELVP16100E](#) [164-901-CD](#) [BACS16X1A](#)
[EN3545007SCE](#) [BV002BSQ20049CZ](#) [BV002SSQ160404CZ](#) [1900ND05S1B00B](#) [SJS862201](#) [166566-1](#) [1900ND04S1X00D](#) [ST-JL05-16S-](#)
[C3-100](#) [ST-JL05-20S-C1-100](#) [ST-JL05-20S-C2-100](#) [T01-CRIMP-S03](#) [APK-SA16A07-002](#) [27963-15T12](#) [CONT-JL05-08S-C2-10](#) [CONT-](#)
[JL05-12S-C1-10](#) [RC16M-23T](#) [RFD26L-1D28](#) [BV002ASJ16049CW](#) [33505815019](#) [JN1-22-20S-R-PKG100](#) [031-50213](#) [031-50794](#)
[ELFH08251](#) [ELFP0641GE](#) [SJS861301M](#) [ST-JL05-16S-C1-100](#) [ST-JL05-20P-C1-100](#) [82911466K](#) [82911467NK](#) [ESLM03200](#) [192991-0087](#)
[192900-0570](#) [ELFH07251](#) [M12883/40-07S](#) [T3P16FC3LZ](#) [ST-JL05-16S-C2-3500](#) [ZP-4016-10NF](#) [CONT-JL05-12P-C1-10](#) [RM20M12G8D28](#)
[031-50676](#) [12115010110](#)