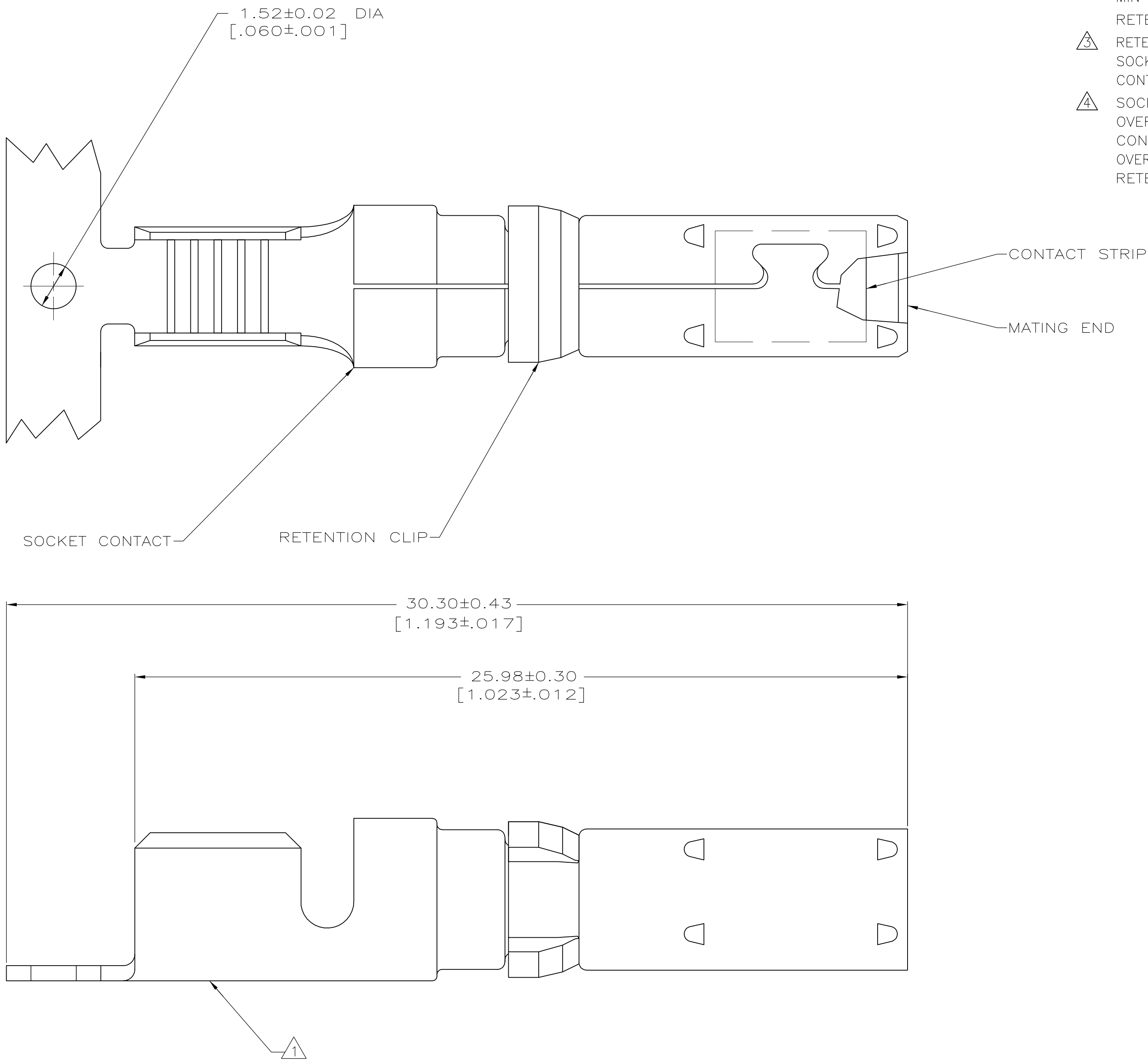


LOC	DIST	REVISIONS					
FT	13	P	LTR	DESCRIPTION	DATE	DWN	APVD
			B1	REVISED PER ECO-11-004917	11MAR11	RK	HMR



△ WIRE SIZE AND AMP LOGO APPEAR ON OUTSIDE OF WIRE BARREL.

△ SOCKET & STRIP CONTACT: 0.76μ [.000030] MIN GOLD PER MIL-G-45204 ON CONTACT MATING END, GOLD FLASH ON REMAINDER , ALL OVER 1.27μ [.000050] MIN NICKEL PER QQ-N-390.

RETENTION CLIP: 2.54μ [.000100] MIN NICKEL PER QQ-N-290.

△ RETENTION CLIP: PHOSPHOR BRONZE PER QQ-B-750.

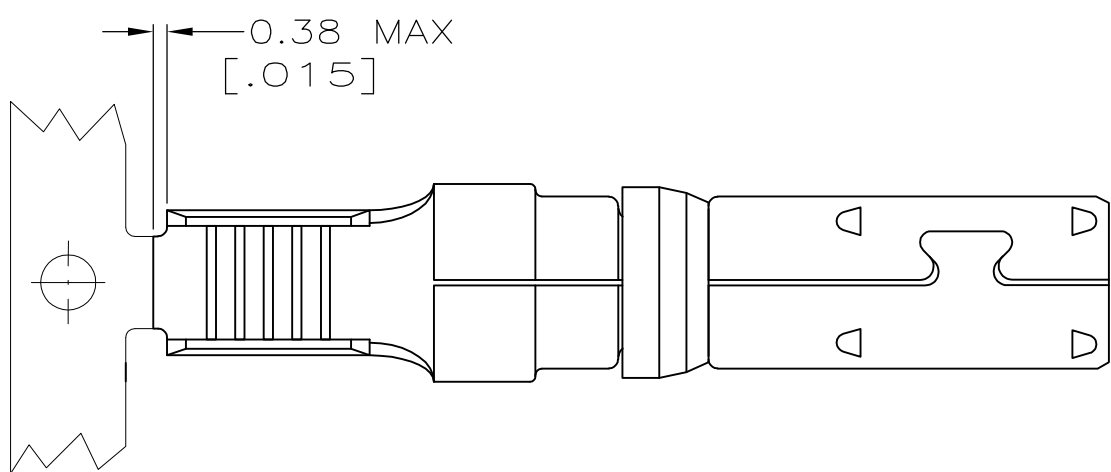
SOCKET CONTACT: COPPER PER QQ-C-576.

CONTACT STRIP: BERYLLIUM COPPER PER QQ-C-533.





△ SOCKET CONTACT: 1.27μ [.000050] MIN SILVER PER QQ-S-365, ALL OVER 1.27μ [.000050] MIN NICKEL PER QQ-N-290.




CONTACT STRIP: 5.08μ [.000200] MIN SILVER PER QQ-S-365, ALL OVER 1.02μ [.000040] MIN NICKEL PER QQ-N-290.

RETENTION CLIP: 2.54μ [.000100] MIN NICKEL PER QQ-N-290.



DETAIL X
SCALE 5:1

	DETAIL X	213847-4
	DETAIL X	213847-3
	-	213847-2
	-	213847-1
FINISH	LOOSE PIECE	PART NUMBER

THIS DRAWING IS A CONTROLLED DOCUMENT.		DWN: W.G.LEWKER 30 JUL 96 CHK: R.STONE 05 AUG 96 APP'D: R.STONEHAUER 06 AUG 96		 TE Connectivity	
DIMENSIONS: mm(INCHES)		TOLERANCES, UNLESS OTHERWISE SPECIFIED:		NAME:	
		0 P L C ± -- 1 P L C ± -- 2 P L C ± -- 3 P L C ± -- 4 P L C ± -- FINISH: ANGLES ± --		SOCKET CONTACT ASSEMBLY, 14-12 AWG, .125 POWERBAND	
MATERIAL: 		WEIGHT: --		SIZE: A1 CASE CODE: 00779 DRAWING NO: C-213847	
SEE TABLE		CUSTOMER DRAWING		SCALE: 10:1 SHEET: 1 OF 1 REV: B	

X-ON Electronics

Largest Supplier of Electrical and Electronic Components

Click to view similar products for [Standard Circular Contacts](#) category:

Click to view products by [TE Connectivity](#) manufacturer:

Other Similar products are found below :

[RC16M23J](#) [133780-1](#) [RM20M13D28](#) [RM24M9D28](#) [RMMX110-1D28](#) [MS3474W10-6P L/C](#) [ELVP16100E](#) [164-901-CD](#) [EN3545007SCE](#)
[BV002BSQ20049CZ](#) [BV002SSQ160404CZ](#) [1900ND05S1B00B](#) [SJS862201](#) [166566-1](#) [1900ND04S1X00D](#) [ST-JL05-16S-C3-100](#) [ST-JL05-20S-C1-100](#) [ST-JL05-20S-C2-100](#) [T01-CRIMP-S03](#) [APK-SA16A07-002](#) [27963-15T12](#) [CONT-JL05-08S-C2-10](#) [CONT-JL05-12S-C1-10](#)
[RC16M-23T](#) [RFD26L-1D28](#) [BV002ASJ16049CW](#) [JN1-22-20S-R-PKG100](#) [031-50213](#) [031-50565](#) [031-50794](#) [SJS861301M](#) [ST-JL05-16S-C1-100](#) [ST-JL05-20P-C1-100](#) [82911466K](#) [82911467NK](#) [192991-0087](#) [192900-0570](#) [T3P16FC3LZ](#) [ST-JL05-16S-C2-3500](#) [ZP-4016-10NF](#)
[CONT-JL05-12P-C1-10](#) [RM20M12G8D28](#) [031-50676](#) [12115010110](#) [RJFTVC2MG](#) [CAP-DACMDPC2](#) [031-50675-002](#) [CAP-DD1FDPC2](#)
[CAP-DACMDPC1](#) [031-50966-010](#)