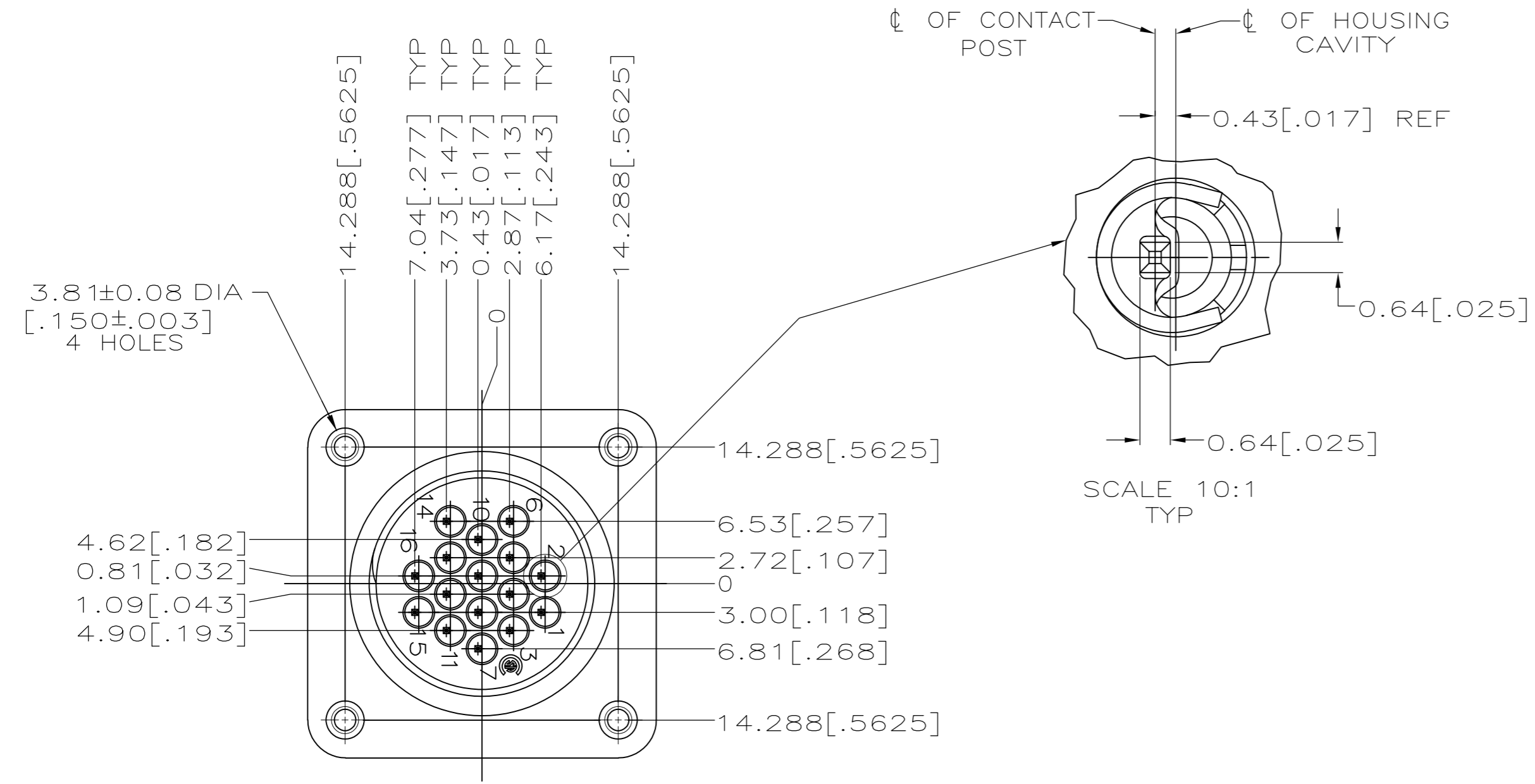
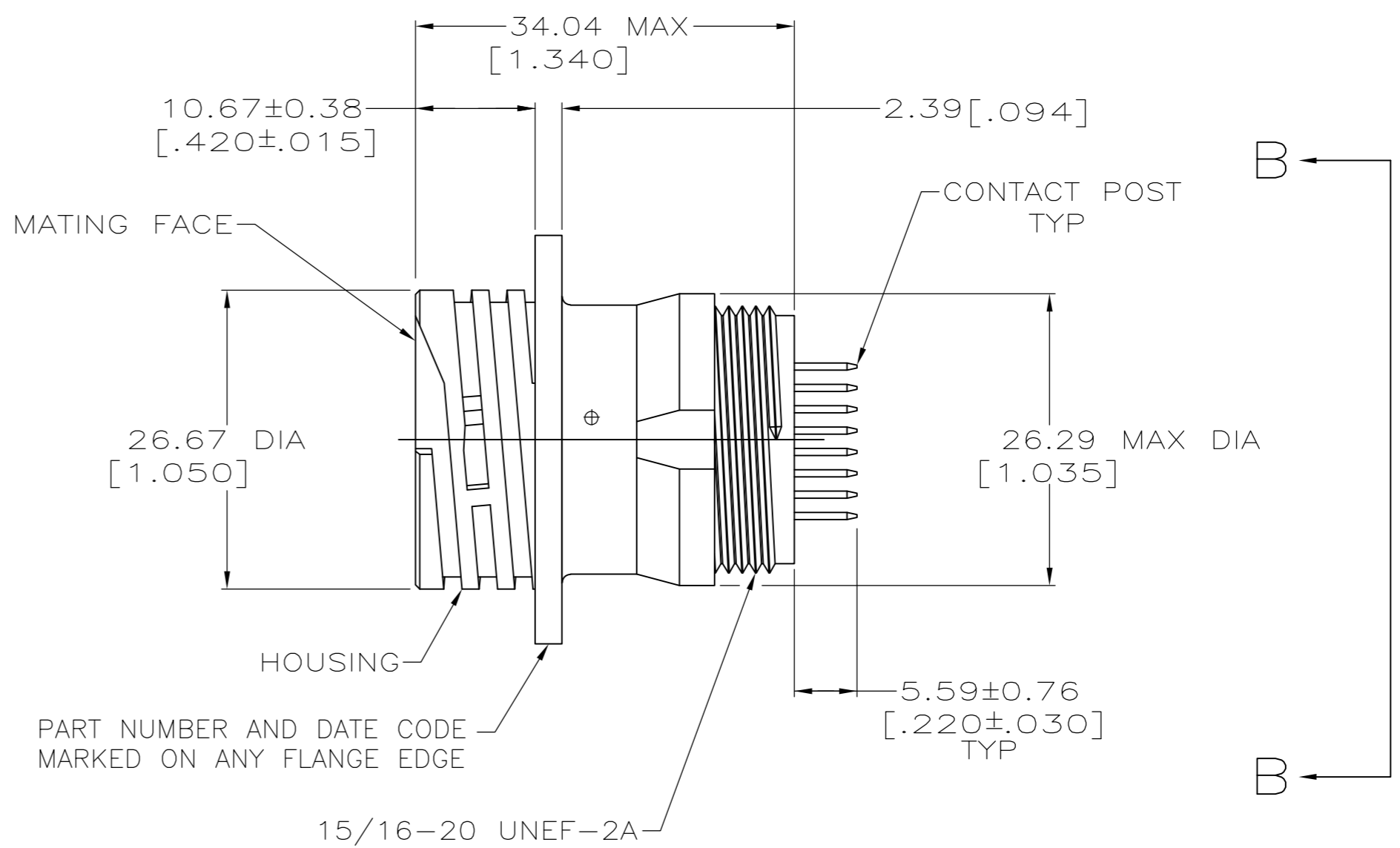
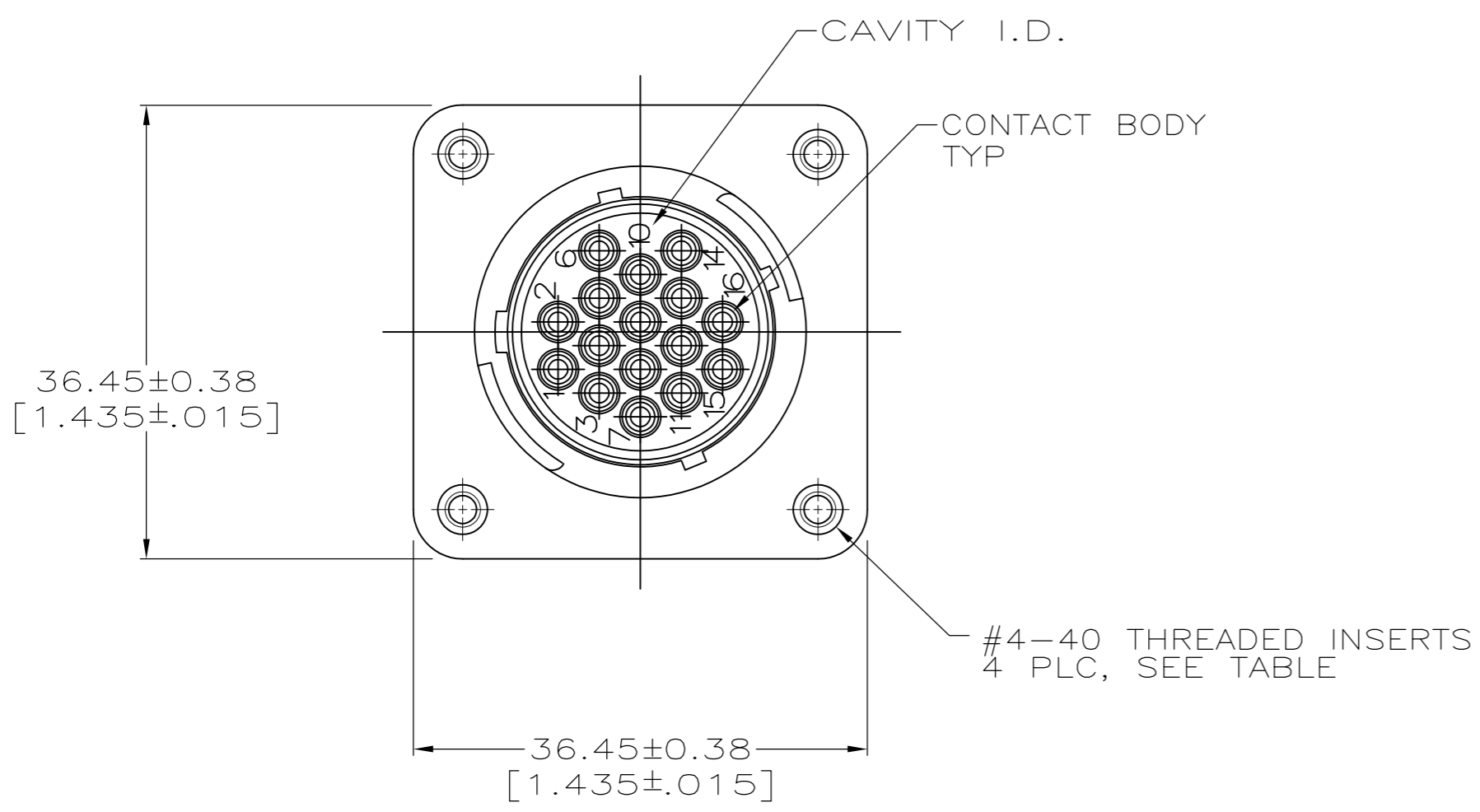


THIS DRAWING IS UNPUBLISHED. RELEASED FOR PUBLICATION
 © COPYRIGHT - By - ALL RIGHTS RESERVED.

LOC		DIST		REVISIONS			
P	LTR	DESCRIPTION	DATE	DWN	APVD		
FT	0						
	D	REVISED PER ECO-12-015665	26SEP12	KH	MZ		



- 1 NYLON, UL 94V-0 RATED, BLACK.
- 2 STAINLESS STEEL.
- 3 BRASS.
- 4 CONTACT BODY: 0.76um [.000030] MIN GOLD FOR A LENGTH OF 5.08 [.200] MIN FROM MATING END. GOLD FLASH ON REMAINDER, BOTH OVER 1.27um [.000050] MIN NICKEL. CONTACT POST: 2.54um [.000100] MIN TIN-LEAD OVER 1.27um [.000050] MIN NICKEL.
- 5 RECOMMENDED PC BOARD HOLE SIZE FOR CONTACT POST = 0.89±0.08 [.035±.003] DIA..
- 6 CONTACT BODY: 0.76um [.000030] MIN GOLD FOR A LENGTH OF 5.08 [.200] MIN FROM MATING END. GOLD FLASH ON REMAINDER, BOTH OVER 1.27um [.000050] MIN NICKEL. CONTACT POST: 2.54um [.000100] MIN TIN OVER 1.27um [.000050] MIN NICKEL.
- 7 OBSOLETE PARTS: OBSOLETE CIS STREAMLINING PER D.RENAUD/D.SINISI

6	YES	213855-4
6	NO	213855-3
4	YES	213855-2
4	NO	213855-1
7	OBSOLETE	
FINISH	THREADED INSERTS	PART NUMBER

THIS DRAWING IS A CONTROLLED DOCUMENT.

DWN D.HARDY 01-03-95
 CHK R.STONE 01-09-95

TE Connectivity

RECEPTACLE ASSEMBLY, POSTED, STANDARD SEX, 17-16, CPC

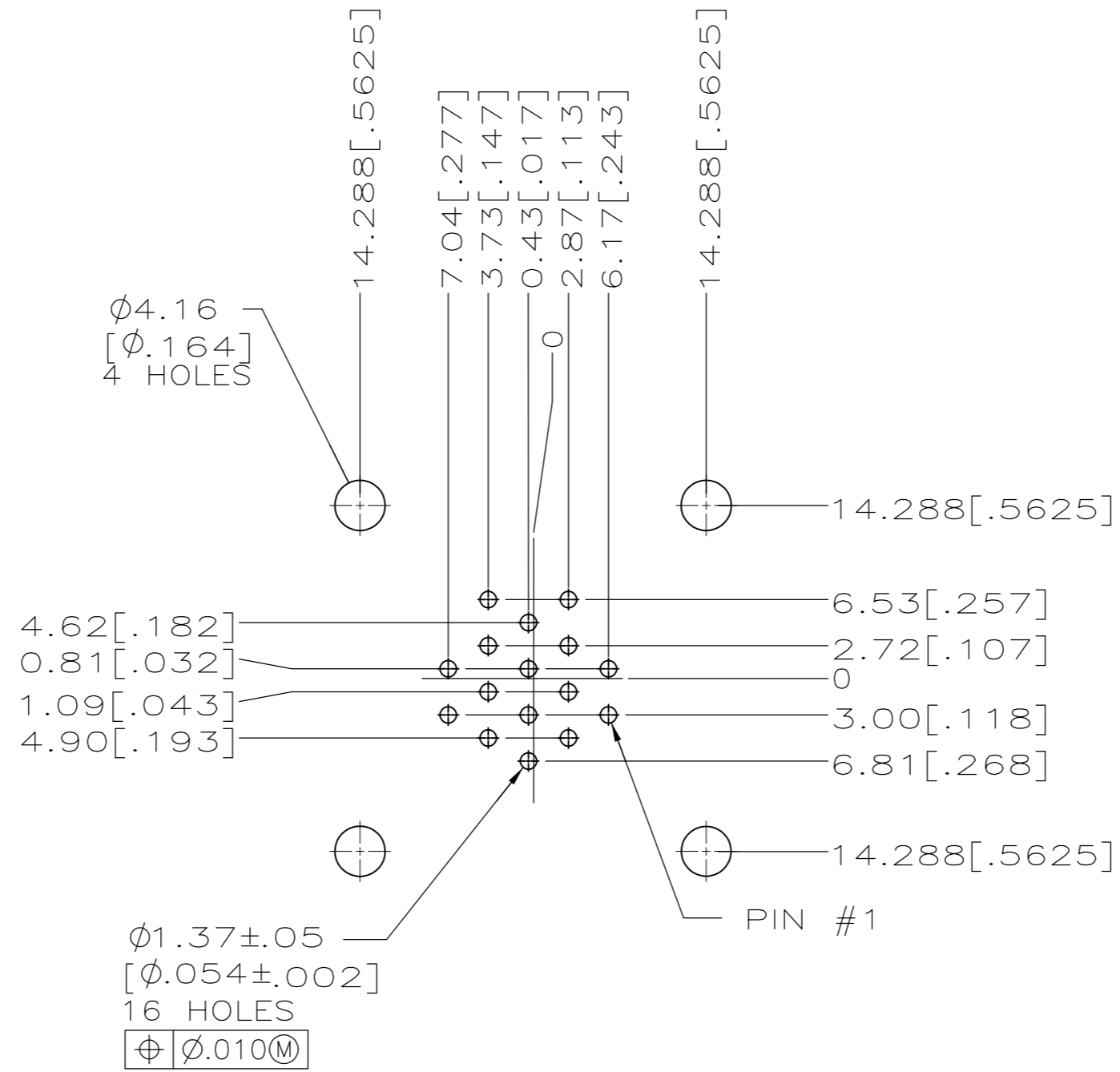
DIMENSIONS: mm [INCHES]	TOLERANCES UNLESS OTHERWISE SPECIFIED:	PRODUCT SPEC 108-10024	SIZE A2	CAGE CODE 00779	DRAWING NO C=213855	RESTRICTED TO
	0 PLC ± -	APPLICATION SPEC 114-10038	WEIGHT -	SCALE 2:1	SHEET 1 OF 2	REV D
	1 PLC ± -		CUSTOMER DRAWING			
	2 PLC ± 0.25 [.010]					
	3 PLC ± -					
	4 PLC ± -					
	ANGLES ± -					

MATERIAL HOUSING: 1
 CONTACT SPRING: 2
 CONTACT BODY & POST: 3

VIEW B-B

THIS DRAWING IS UNPUBLISHED. RELEASED FOR PUBLICATION
 © COPYRIGHT - By - ALL RIGHTS RESERVED.

LOC	DIST	REVISIONS					
FT	0	P	LTR	DESCRIPTION	DATE	DWN	APVD
		-	-	SEE SHEET 1	-	-	-



RECOMMENDED P.C. BOARD LAYOUT

THIS DRAWING IS A CONTROLLED DOCUMENT.		DWN D.HARDY 01-03-95																				
DIMENSIONS: mm [INCHES]		CHK R.STONE 01-09-95																				
TOLERANCES UNLESS OTHERWISE SPECIFIED:		APVD -	NAME																			
<table border="0"> <tr><td>0 PLC</td><td>±</td><td>-</td></tr> <tr><td>1 PLC</td><td>±</td><td>-</td></tr> <tr><td>2 PLC</td><td>±</td><td>0.25 [.010]</td></tr> <tr><td>3 PLC</td><td>±</td><td>-</td></tr> <tr><td>4 PLC</td><td>±</td><td>-</td></tr> <tr><td>ANGLES</td><td>±</td><td>-</td></tr> </table>		0 PLC	±	-	1 PLC	±	-	2 PLC	±	0.25 [.010]	3 PLC	±	-	4 PLC	±	-	ANGLES	±	-	PRODUCT SPEC 108-10024	RECEPTACLE ASSEMBLY, POSTED, STANDARD SEX, 17-16, CPC	
0 PLC	±	-																				
1 PLC	±	-																				
2 PLC	±	0.25 [.010]																				
3 PLC	±	-																				
4 PLC	±	-																				
ANGLES	±	-																				
MATERIAL HOUSING:		APPLICATION SPEC 114-10038	SIZE A2	CAGE CODE 00779																		
CONTACT SPRING:		WEIGHT -	DRAWING NO C=213855																			
CONTACT BODY & POST:		FINISH CONTACT:	RESTRICTED TO -																			
CUSTOMER DRAWING			SCALE 2:1	SHEET 2 OF 2																		

X-ON Electronics

Largest Supplier of Electrical and Electronic Components

Click to view similar products for [Standard Circular Connector](#) category:

Click to view products by [TE Connectivity](#) manufacturer:

Other Similar products are found below :

[5M2530B10P](#) [600259N006](#) [600273N007](#) [6134-336-13149](#) [6134-337-11149](#) [6134-337-2390](#) [6134-341-17149](#) [6280-4SG-516](#) [6280-7SG-3DC](#)
[6290](#) [6291A](#) [66200A-10](#) [680-SMG](#) [681-PMG](#) [CXS3102A14S2P](#) [CXS3102A181S](#) [7271-6SG-300](#) [7282-3PG-300-CH3](#) [75-474618-01S](#) [75-](#)
[474618-04P](#) [75-474618-04S](#) [799539-000](#) [MI8-SE](#) [805-005-07NF11-19PC](#) [805-005-07NF15-7PA](#) [8280-4PG-516](#) [8280-7PG-519](#) [8282-5PG-](#)
[519](#) [836783-1](#) [MP-4102-25P-C](#) [862256-1](#) [864019-2](#) [866857-1](#) [867865-1](#) [PT01SP-14-18P](#) [PT08P-14-5S](#) [120-1833-000](#)
[QCM019PC2DC012B](#) [1-2069279-1](#) [121583-0217](#) [121667-0020](#) [129591AU](#) [1000B BULK](#) [RD10A16-19-P6CS051/1](#) [RD10A20-31-](#)
[P8CS051/1](#) [RD16A14-12-S6CS051/2](#) [1301240290](#) [1301240347](#) [1301860202](#) [1301240268](#) [1301240275](#)