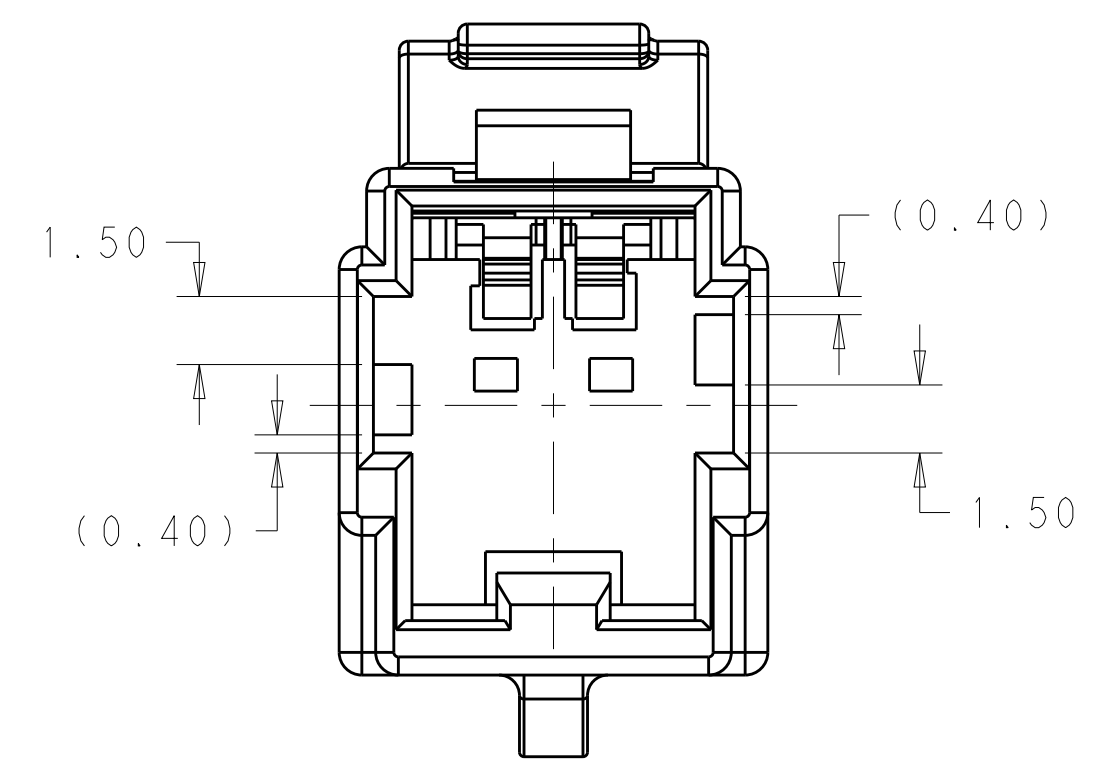
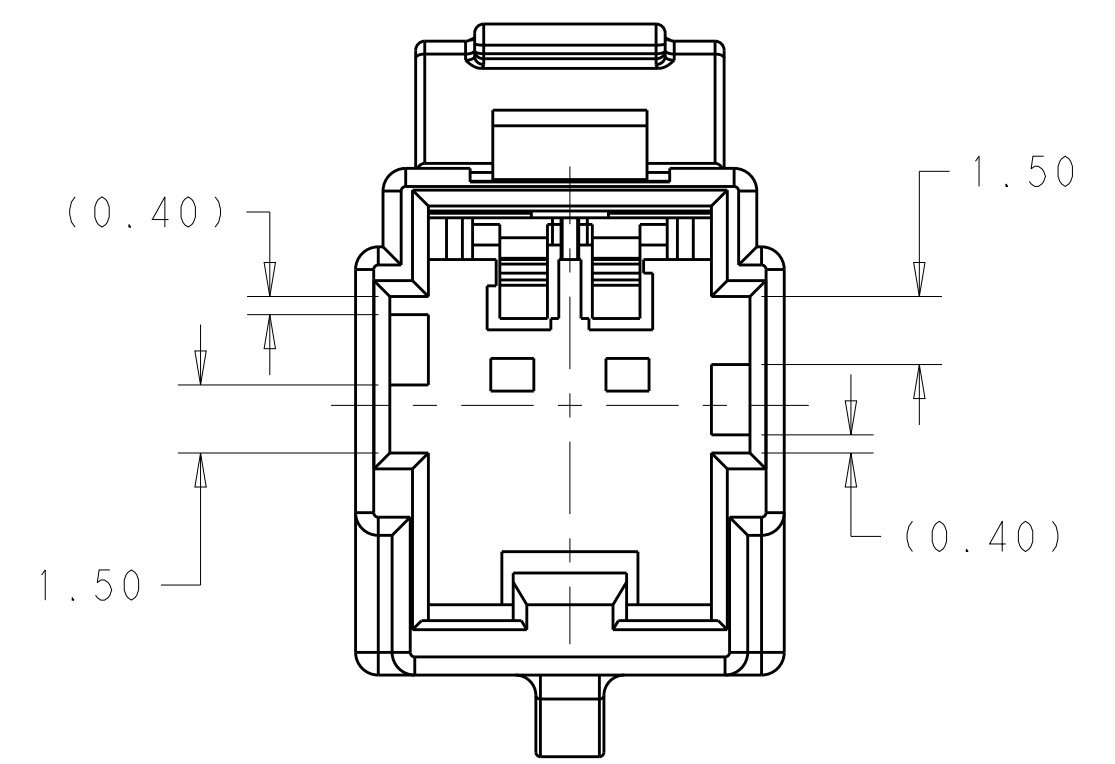


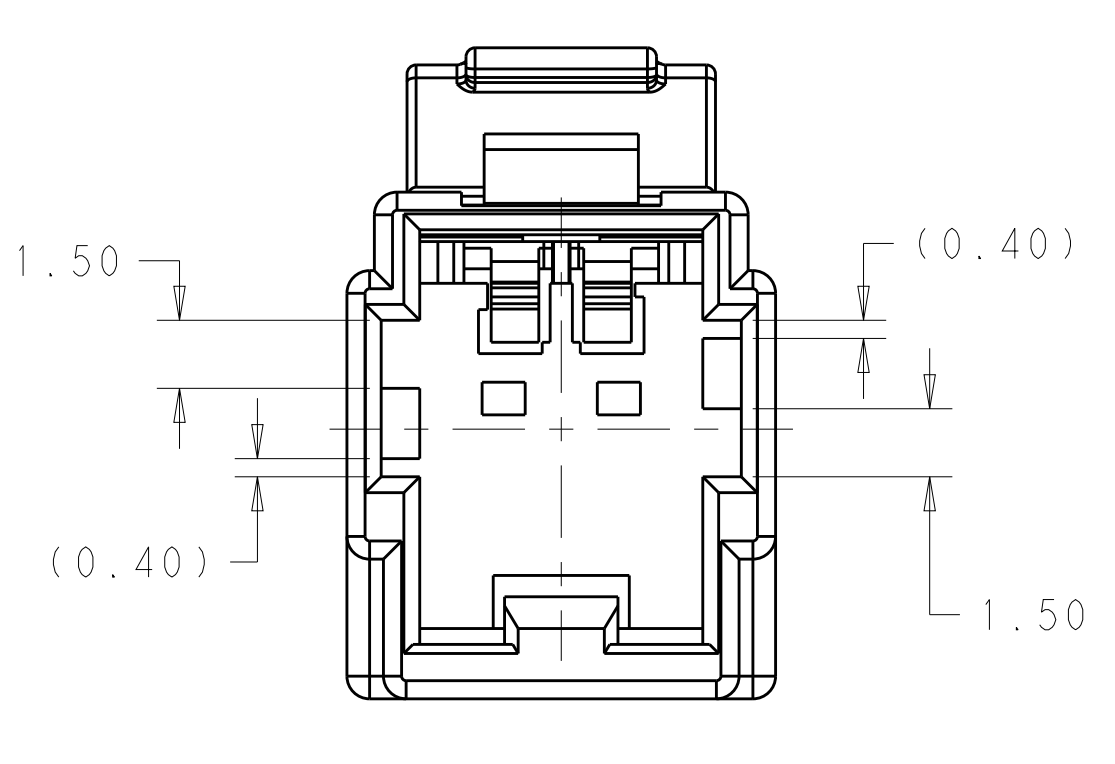
| LOC | DIST | REVISIONS |     |                            |           |     |      |
|-----|------|-----------|-----|----------------------------|-----------|-----|------|
| GE  | 00   | P         | LTN | DESCRIPTION                | DATE      | DWN | APVD |
|     |      | A         |     | RELEASED PER ECO-13-001134 | 21JAN2013 | MDB | MDB  |



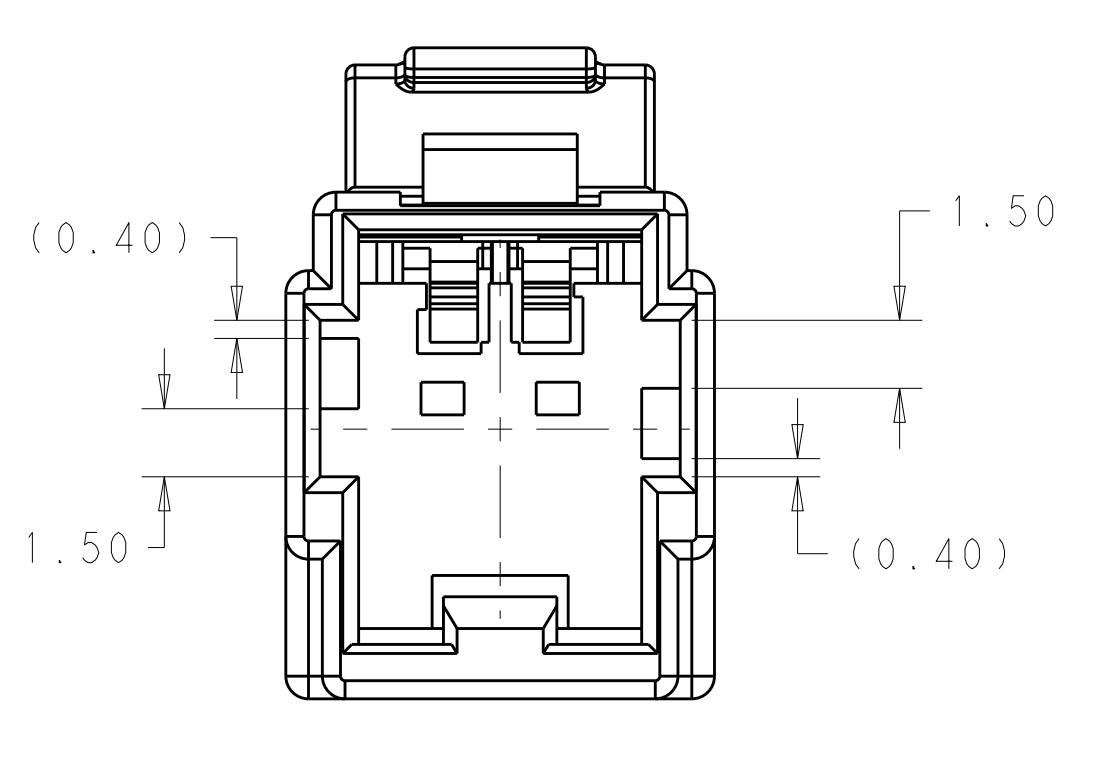
KEYING OPTION A  
 WITH RETAINER CLIP LOCK  
 2138558-1



KEYING OPTION B  
 WITH RETAINER CLIP LOCK  
 2138558-2

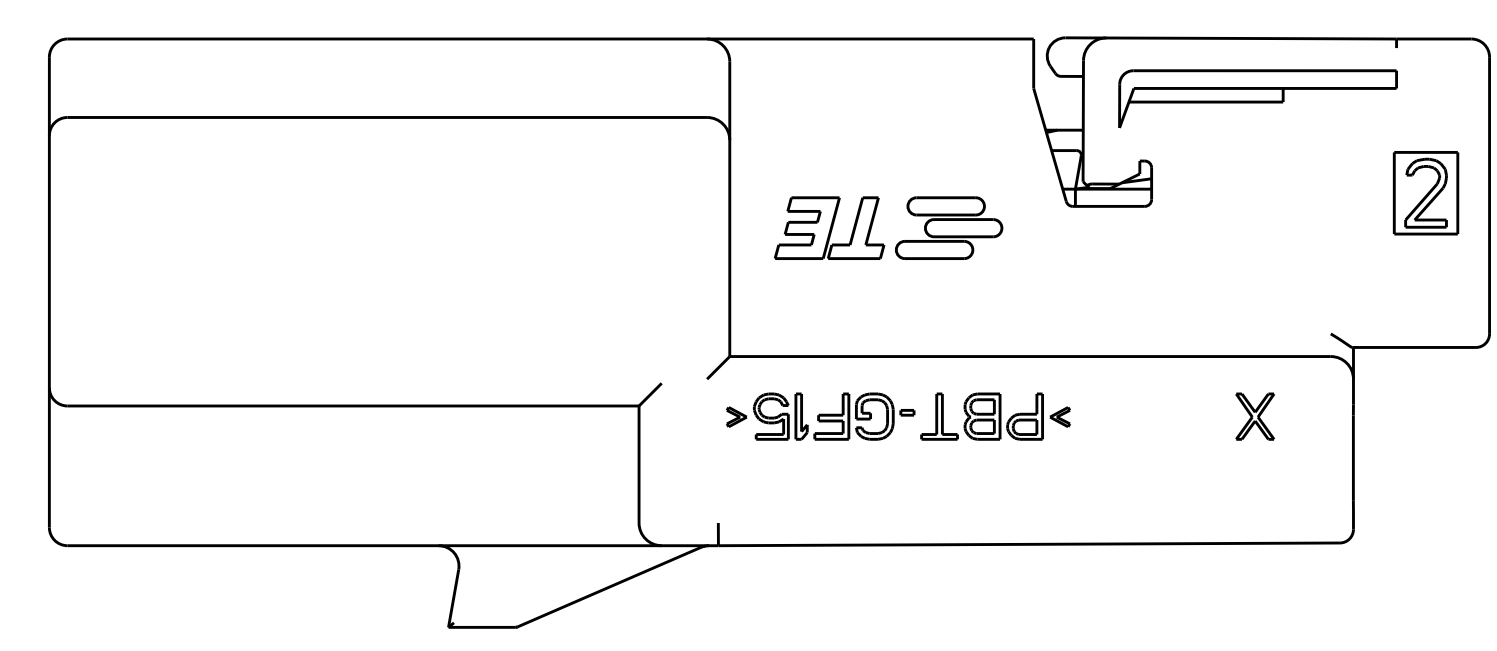
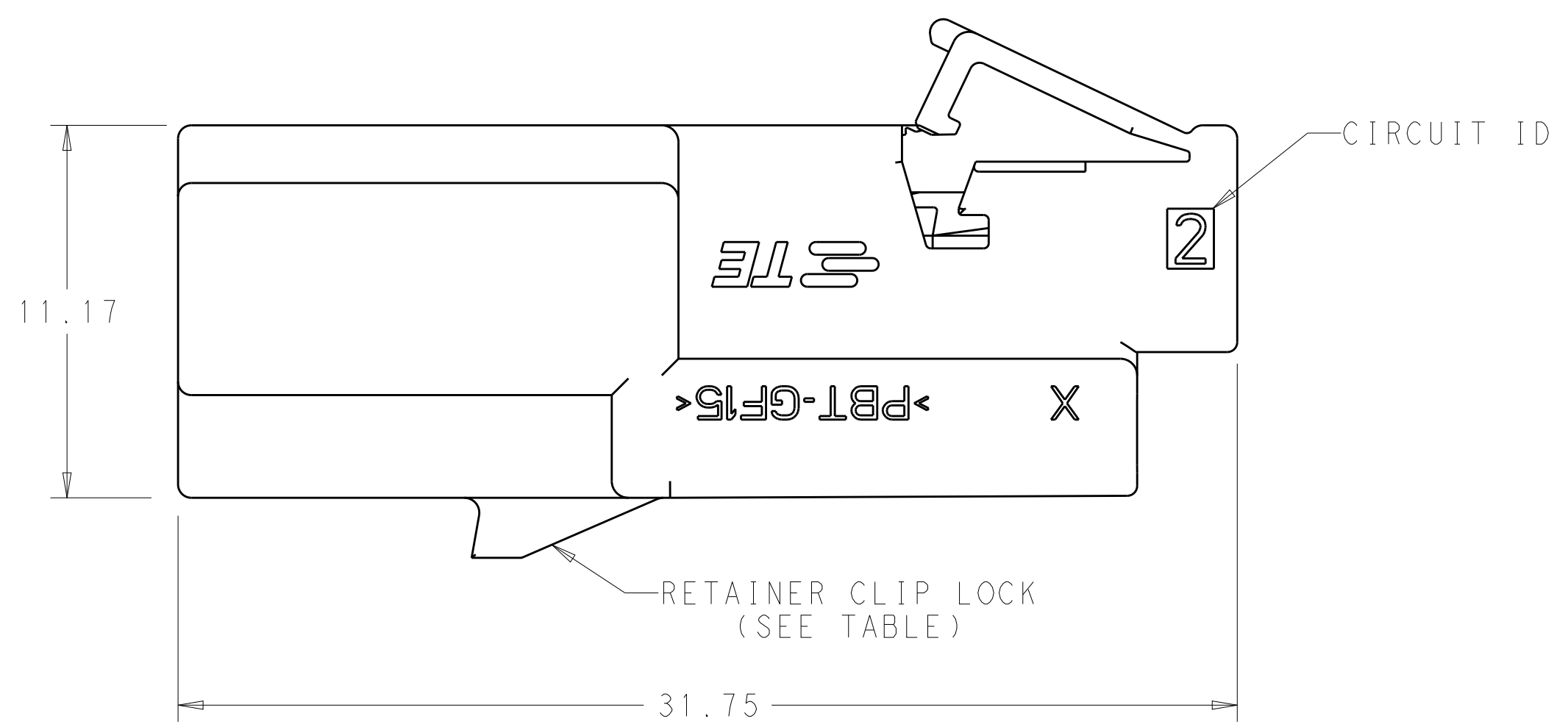
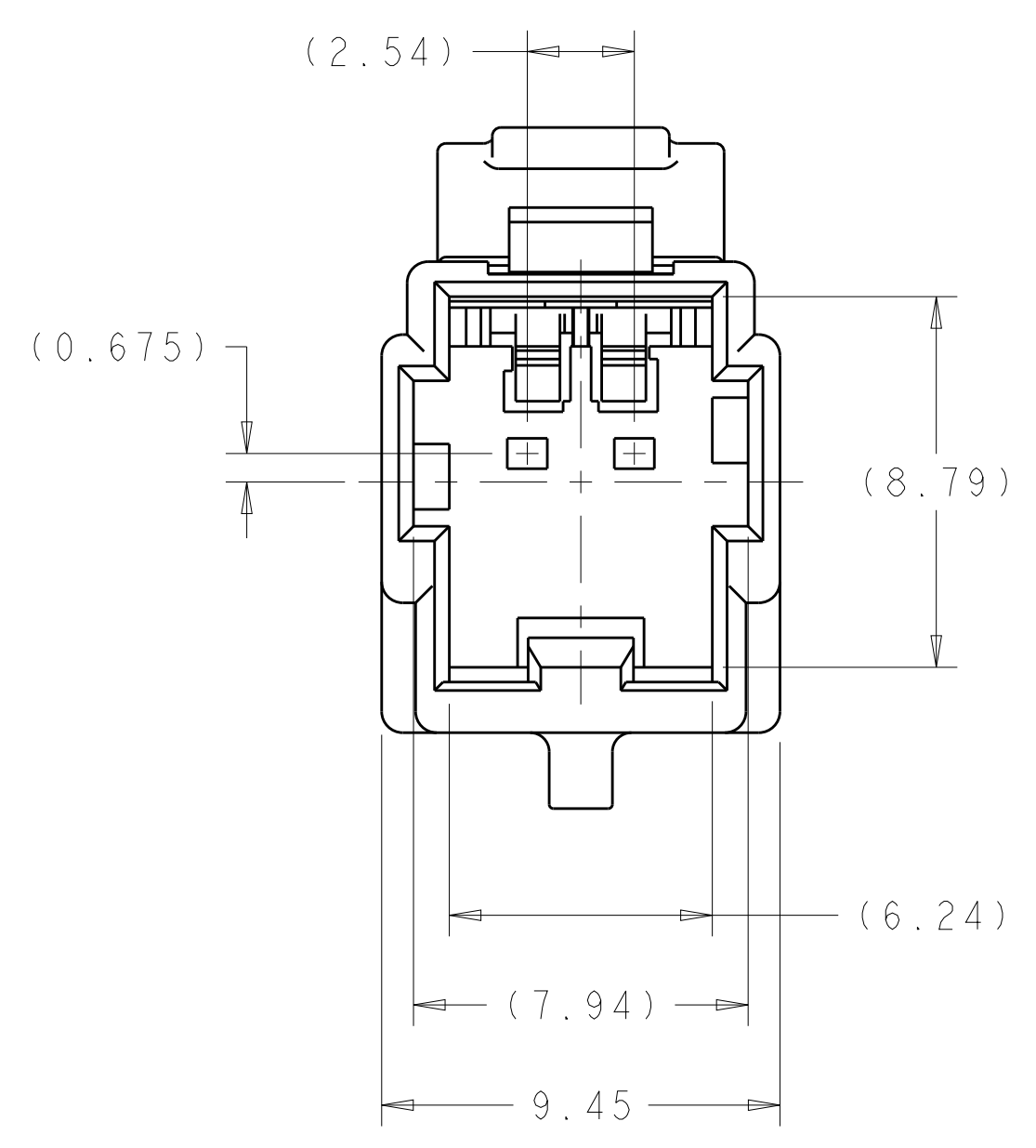


KEYING OPTION A  
 WITHOUT RETAINER CLIP LOCK  
 2138558-3

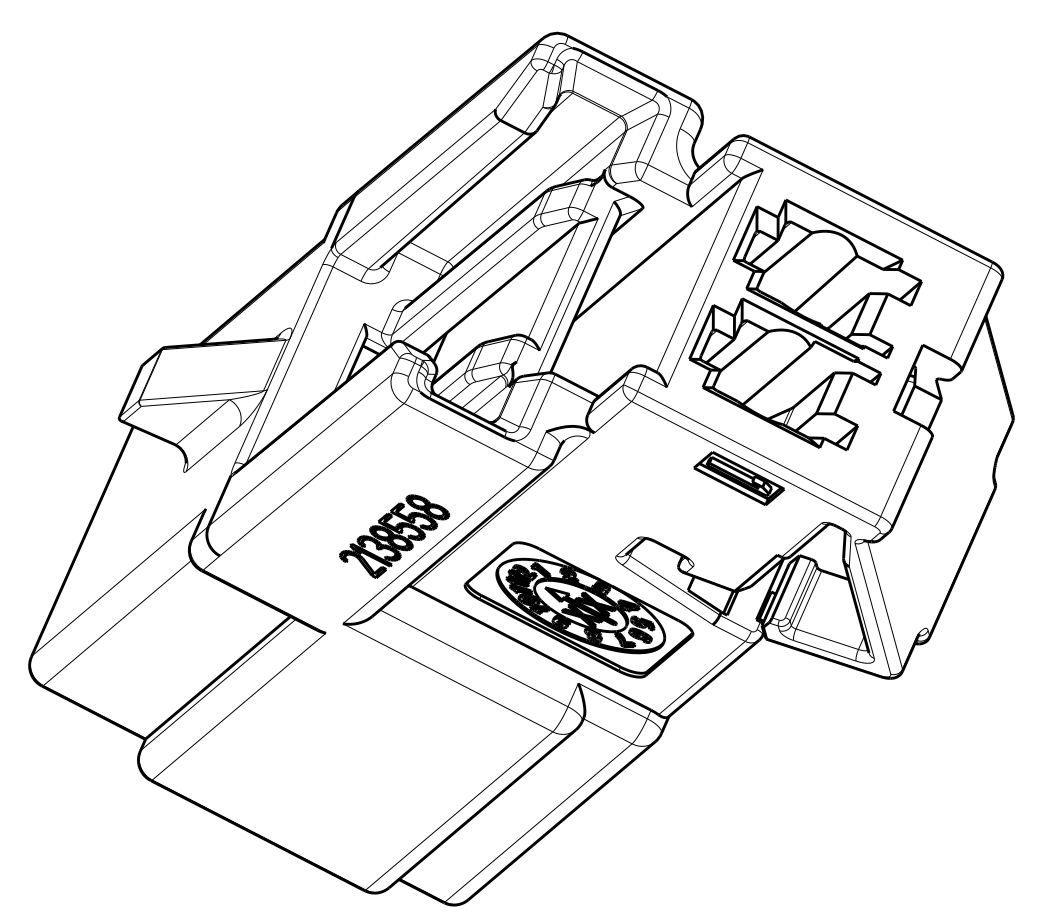


KEYING OPTION B  
 WITHOUT RETAINER CLIP LOCK  
 2138558-4

- △ MATERIAL: PBT, 15% GF.  
 COLOR : SEE TABLE
- CAP MATES WITH PLUG HOUSING 2138557
  - CAP WILL ACCEPT GENERATION Y BLADE CONTACTS.
  - NOTE REMOVED.
  - PRODUCT INCORPORATES CLIP SLOT AND RETAINER CLIP LOCK (2138558-1 AND -2) AS DEFINED BY EWCAP-005-7, REVISION A.
  - FOR HARNESS ASSEMBLY INSTRUCTIONS, SEE TE SPEC 408-32069.



2138558-1 ASSEMBLED VIEW



| COLOR | RETAINER CLIP LOCK | KEYING OPTION | PART NUMBER |
|-------|--------------------|---------------|-------------|
| GRAY  | NO                 | B             | 2138558-4   |
| BLACK | NO                 | A             | 2138558-3   |
| GRAY  | YES                | B             | 2138558-2   |
| BLACK | YES                | A             | 2138558-1   |

2138558-1 AS SHOWN

|  |            |                            |   |
|--|------------|----------------------------|---|
| THIS DRAWING IS A CONTROLLED DOCUMENT. |            | DWN: R. WHITAKER 27MAY2011 | TE Connectivity                             |
| DIMENSIONS: mm                         |            | CHK: D. BROWN 27MAY2011    |   |
| TOLERANCES UNLESS OTHERWISE SPECIFIED: |            | APVD: D. BROWN 27MAY2011   | NAME: CAP HOUSING, 2 POSITION, GENERATION Y |
| 0 PLC ±                                | 1 PLC ±0.3 | PRODUCT SPEC               | SIZE: CAGE CODE DRAWING NO                  |
| 2 PLC ±0.10                            | 3 PLC ±    | APPLICATION SPEC           | RESTRICTED TO                               |
| 4 PLC ±                                | ANGLES ±1° | WEIGHT                     | A100779C=2138558                            |
| MATERIAL: △                            | FINISH     | Customer Drawing           | SCALE: 6:1 SHEET 1 OF 1 REV A               |

## X-ON Electronics

Largest Supplier of Electrical and Electronic Components

*Click to view similar products for [Automotive Connectors](#) category:*

*Click to view products by [TE Connectivity](#) manufacturer:*

Other Similar products are found below :

[003-018-000](#) [60403001](#) [60993906-B](#) [M902-2131](#) [M902-2161](#) [72.330.1035.1](#) [73.353.4028.0](#) [F119300-B](#) [F166900](#) [F258300-B](#) [F358300-B](#)  
[F407400](#) [F444110](#) [F487000](#) [F509500B-B](#) [827153-1](#) [8N1515-32-24P](#) [9-1326729-8](#) [925474-1](#) [928905-1](#) [964562-4](#) [968782-1](#) [GT17SA-8DS-](#)  
[HU](#) [98891-1012](#) [98947-1016](#) [12004147](#) [12004475-L](#) [12010290](#) [12010309-B](#) [12015454](#) [12020219-B](#) [12020308](#) [12041318-B](#) [12052225-L](#)  
[12052466](#) [12059125](#) [12064869](#) [12004327-B](#) [12010503-B](#) [12015308](#) [12015384](#) [12015909](#) [1-21030-1](#) [12041254](#) [12041318](#) [12047946-B](#)  
[12047957](#) [12047957-L](#) [12059473](#) [12066261](#)