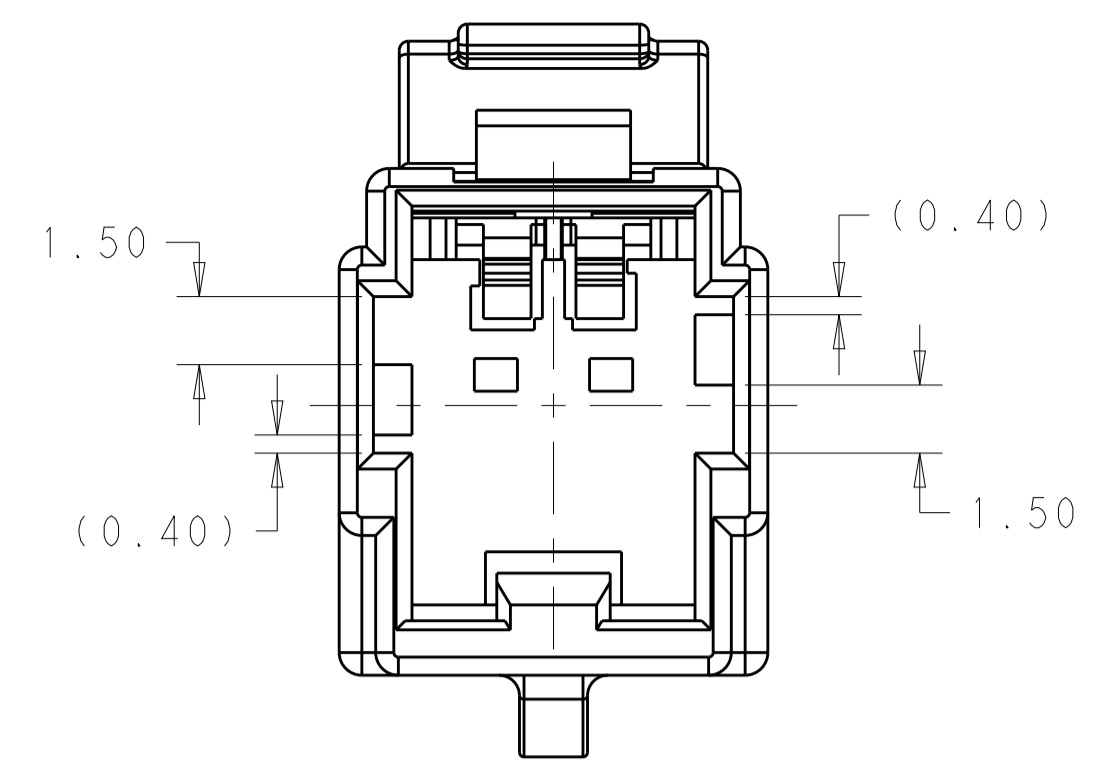
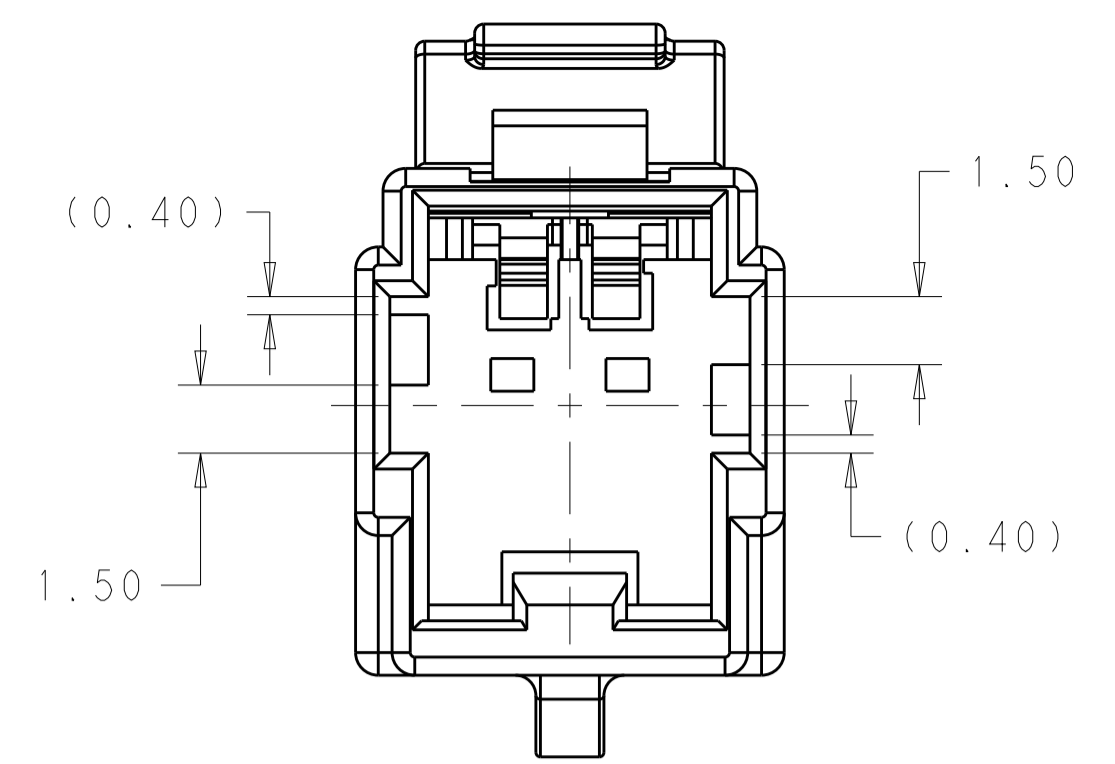


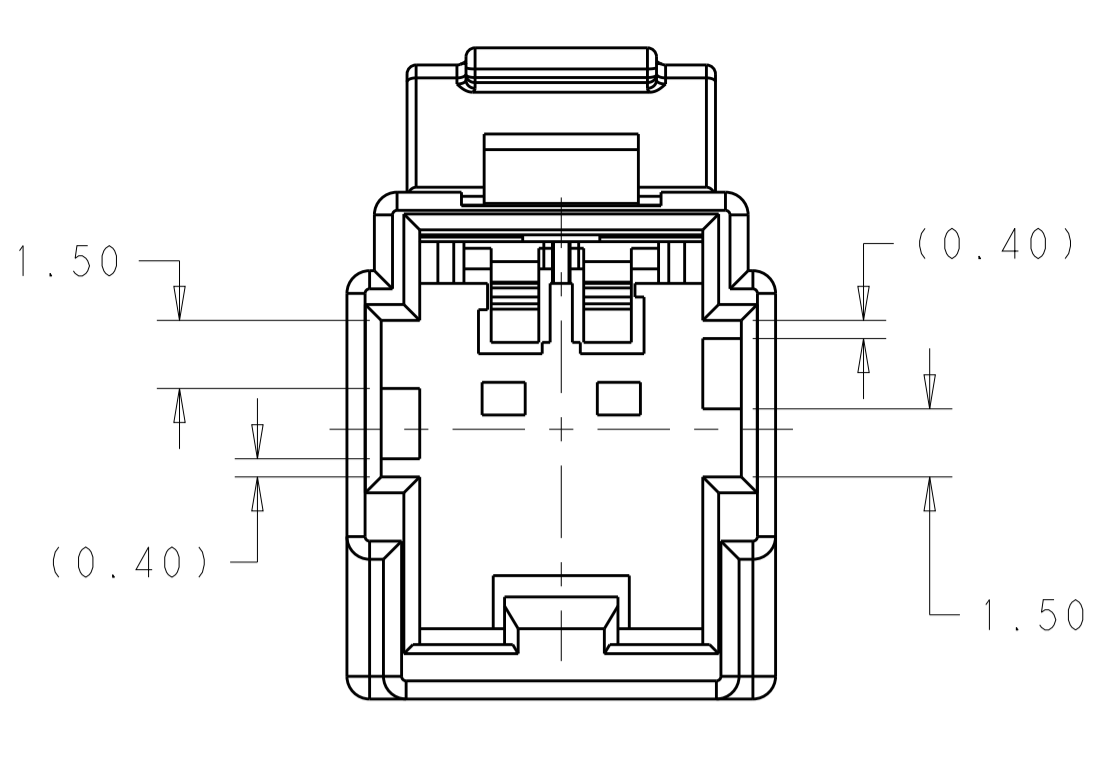
LOC	DIST	REVISIONS					
GE	00	P	LTN	DESCRIPTION	DATE	DWN	APVD
		A		RELEASED PER ECO-13-001134	21JAN2013	MDB	MDB



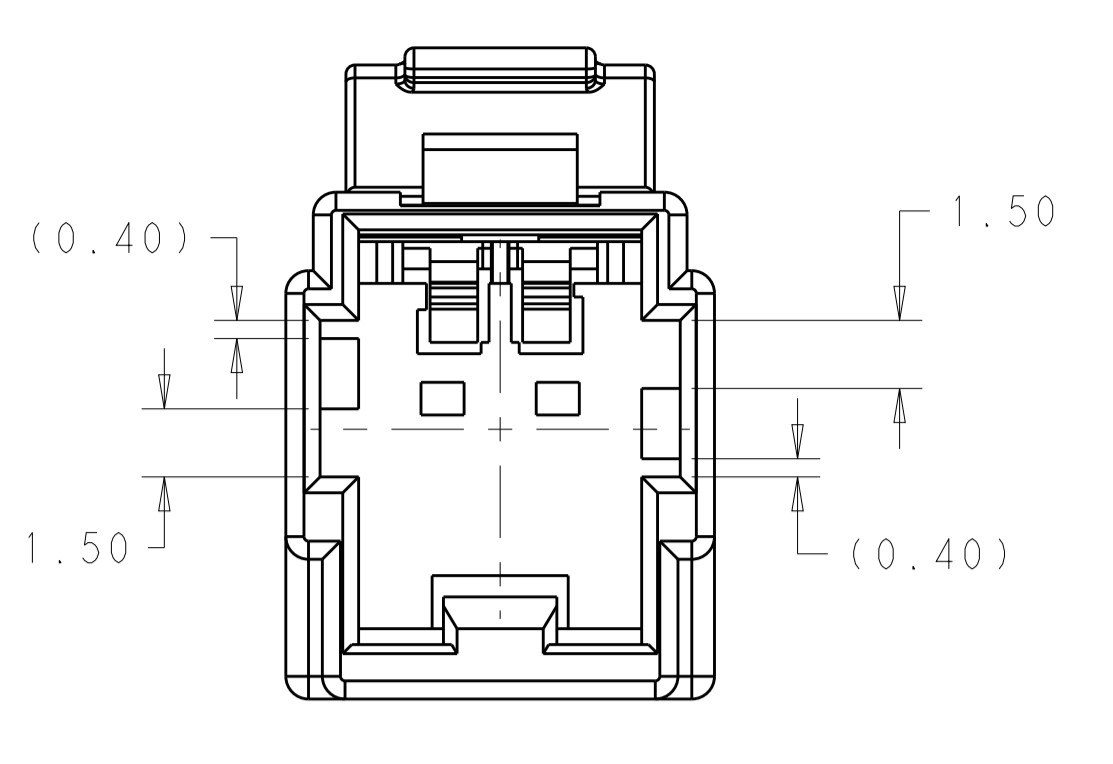
KEYING OPTION A
WITH RETAINER CLIP LOCK
2138558-1



KEYING OPTION B
WITH RETAINER CLIP LOCK
2138558-2

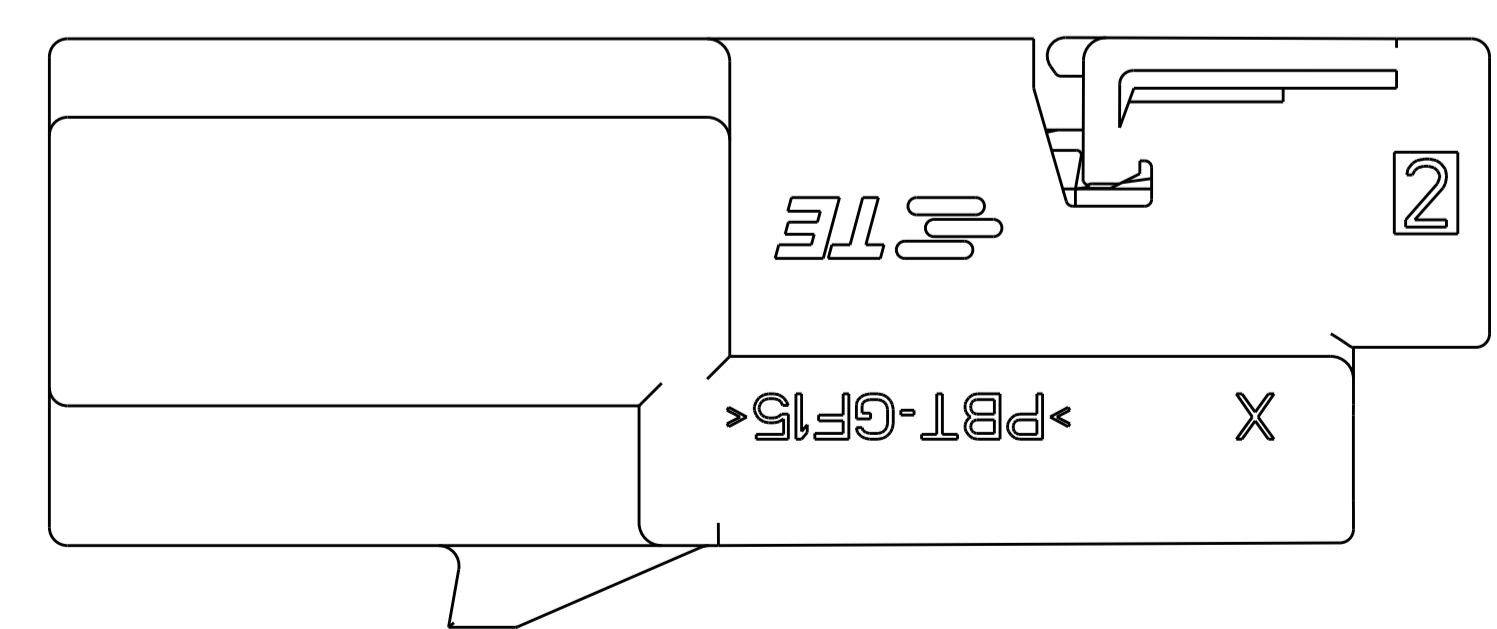
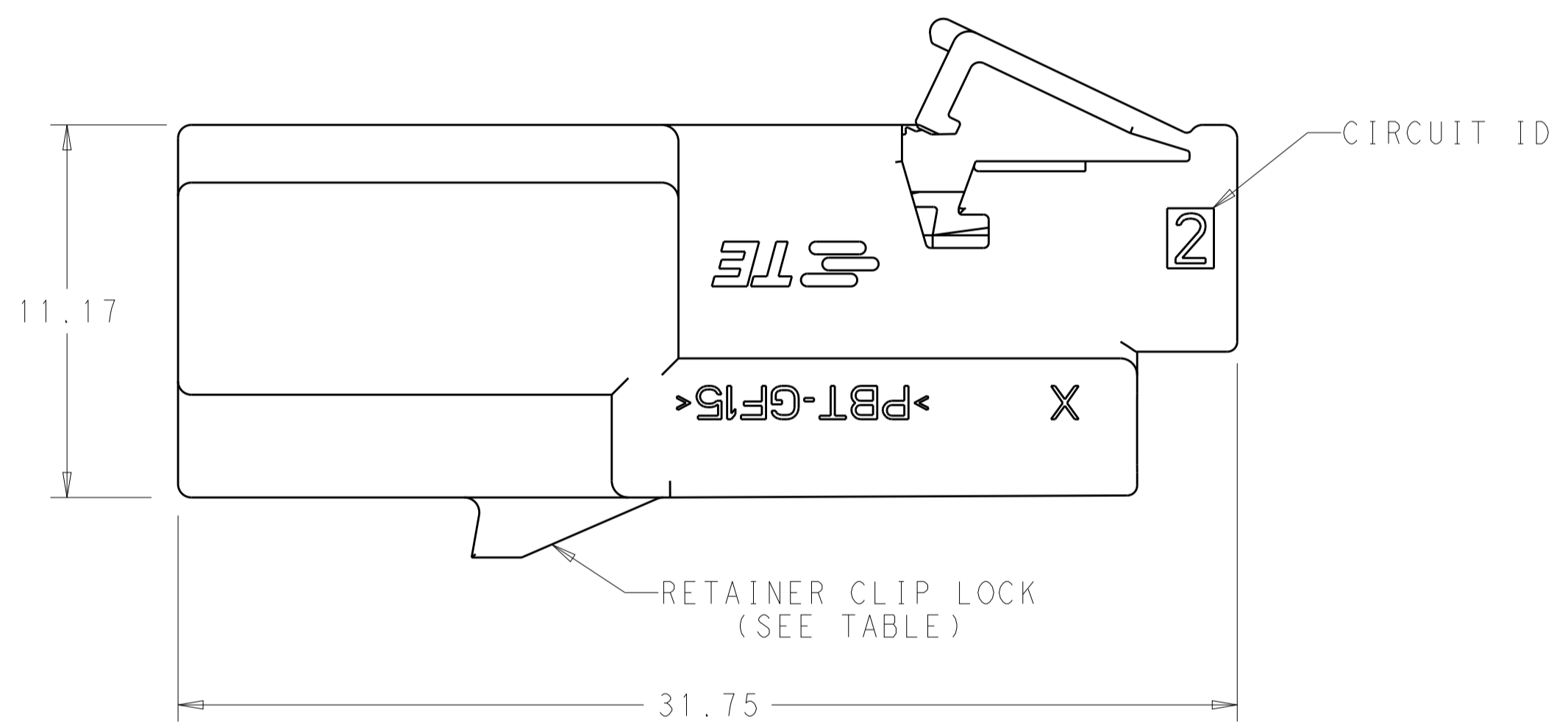
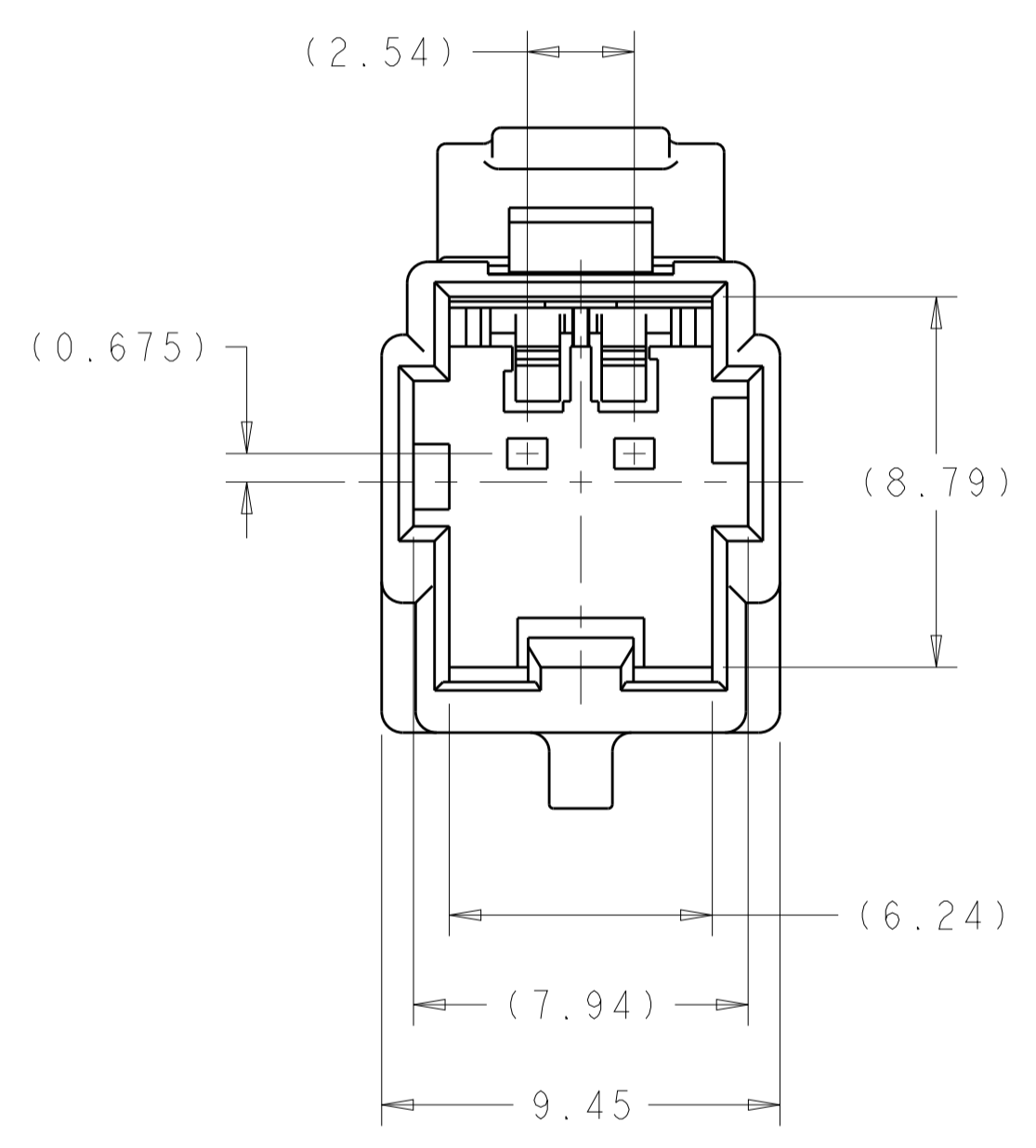


KEYING OPTION A
WITHOUT RETAINER CLIP LOCK
2138558-3

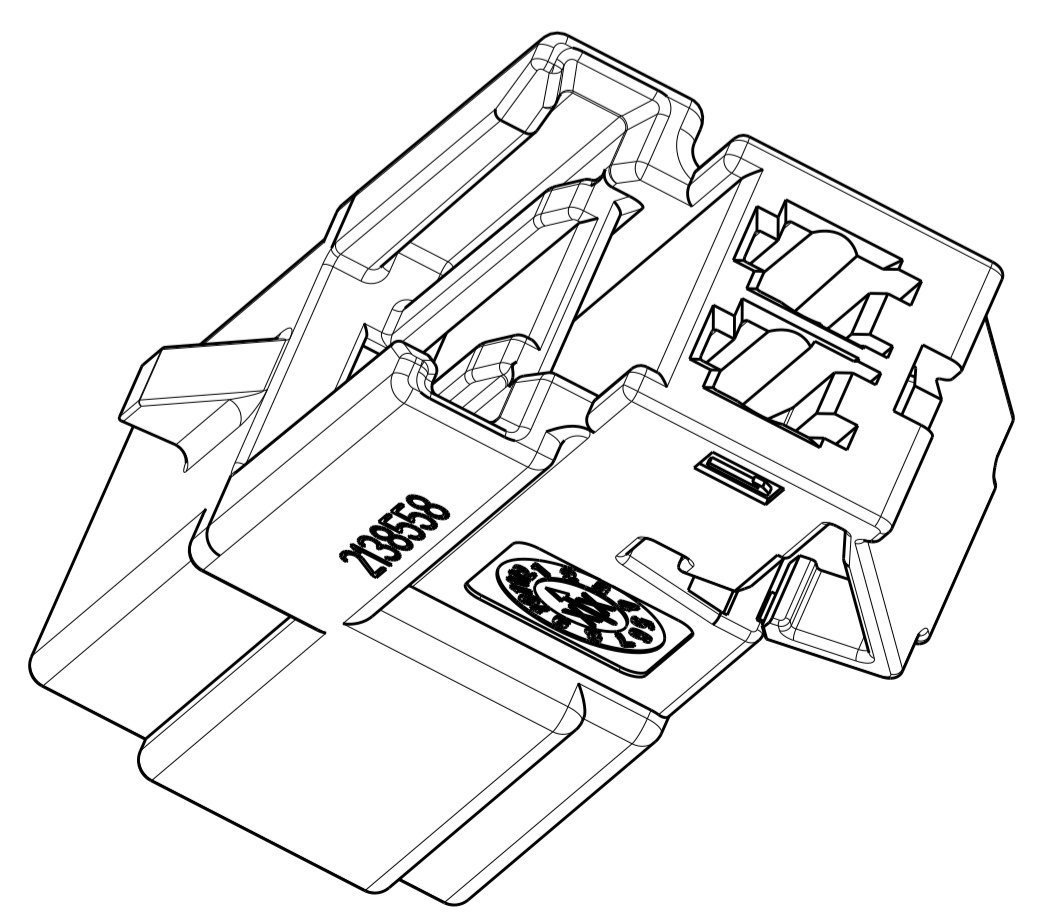


KEYING OPTION B
WITHOUT RETAINER CLIP LOCK
2138558-4

- △ MATERIAL: PBT, 15% GF.
COLOR : SEE TABLE
- CAP MATES WITH PLUG HOUSING 2138557
 - CAP WILL ACCEPT GENERATION Y BLADE CONTACTS.
 - NOTE REMOVED.
 - PRODUCT INCORPORATES CLIP SLOT AND RETAINER CLIP LOCK (2138558-1 AND -2) AS DEFINED BY EWCAP-005-7, REVISION A.
 - FOR HARNESS ASSEMBLY INSTRUCTIONS, SEE TE SPEC 408-32069.



2138558-1 ASSEMBLED VIEW



COLOR	RETAINER CLIP LOCK	KEYING OPTION	PART NUMBER
GRAY	NO	B	2138558-4
BLACK	NO	A	2138558-3
GRAY	YES	B	2138558-2
BLACK	YES	A	2138558-1

2138558-1 AS SHOWN

THIS DRAWING IS A CONTROLLED DOCUMENT.		DWN: R. WHITAKER 27MAY2011	TE Connectivity
DIMENSIONS: mm		CHK: D. BROWN 27MAY2011	
TOLERANCES UNLESS OTHERWISE SPECIFIED:		APVD: D. BROWN 27MAY2011	NAME: CAP HOUSING, 2 POSITION, GENERATION Y
0 PLC ±0.3	1 PLC ±0.10	PRODUCT SPEC	SIZE: CAGE CODE DRAWING NO
2 PLC ±0.10	3 PLC ±0.10	APPLICATION SPEC	RESTRICTED TO
4 PLC ±0.10	ANGLES ±1°	WEIGHT	A100779C=2138558
MATERIAL: PBT	FINISH	Customer Drawing	SCALE: 6:1 SHEET 1 OF 1 REV A

X-ON Electronics

Largest Supplier of Electrical and Electronic Components

Click to view similar products for [Automotive Connectors](#) category:

Click to view products by [TE Connectivity](#) manufacturer:

Other Similar products are found below :

[003-018-000](#) [60403001](#) [60993906-B](#) [M902-2131](#) [M902-2161](#) [M902-2344](#) [72.330.1035.1](#) [73.353.4028.0](#) [F119300-B](#) [F166900](#) [F258300-B](#)
[F358300-B](#) [F407400](#) [F444110](#) [F487000](#) [F509500B-B](#) [827153-1](#) [8N1515-32-24P](#) [9-1326729-8](#) [925474-1](#) [928905-1](#) [964562-4](#) [968782-1](#)
[GT17SA-8DS-HU](#) [98891-1012](#) [98947-1016](#) [12004147](#) [12004475-L](#) [12010290](#) [12010309-B](#) [12015454](#) [12020219-B](#) [12041318-B](#) [12052225-](#)
[L](#) [12052466](#) [12064869](#) [12004327-B](#) [12015308](#) [12015384](#) [12015909](#) [1-21030-1](#) [12041254](#) [12041318](#) [12047946-B](#) [12047957](#) [12047957-L](#)
[12059473](#) [12066261](#) [12110546](#) [12110546-B](#)