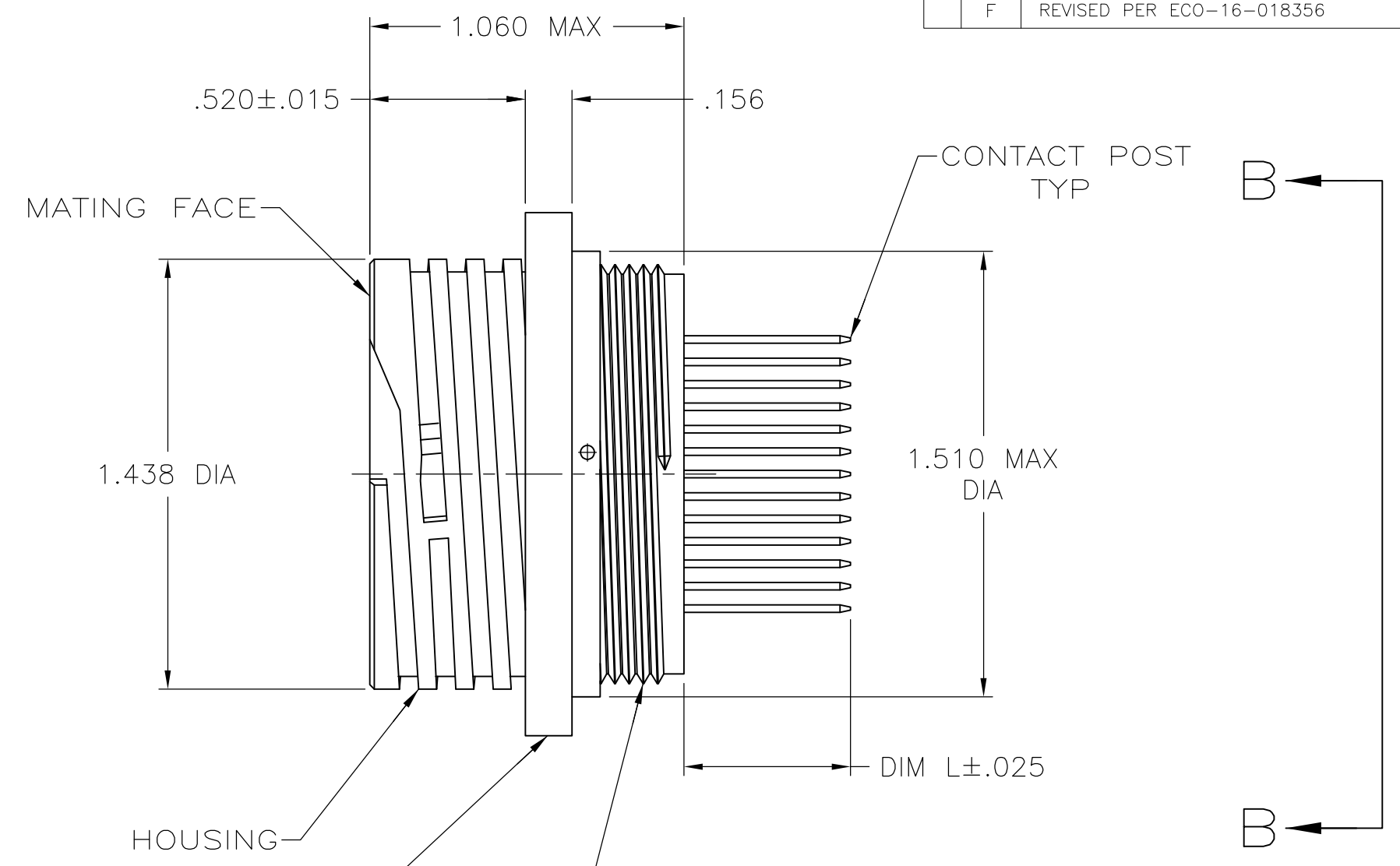
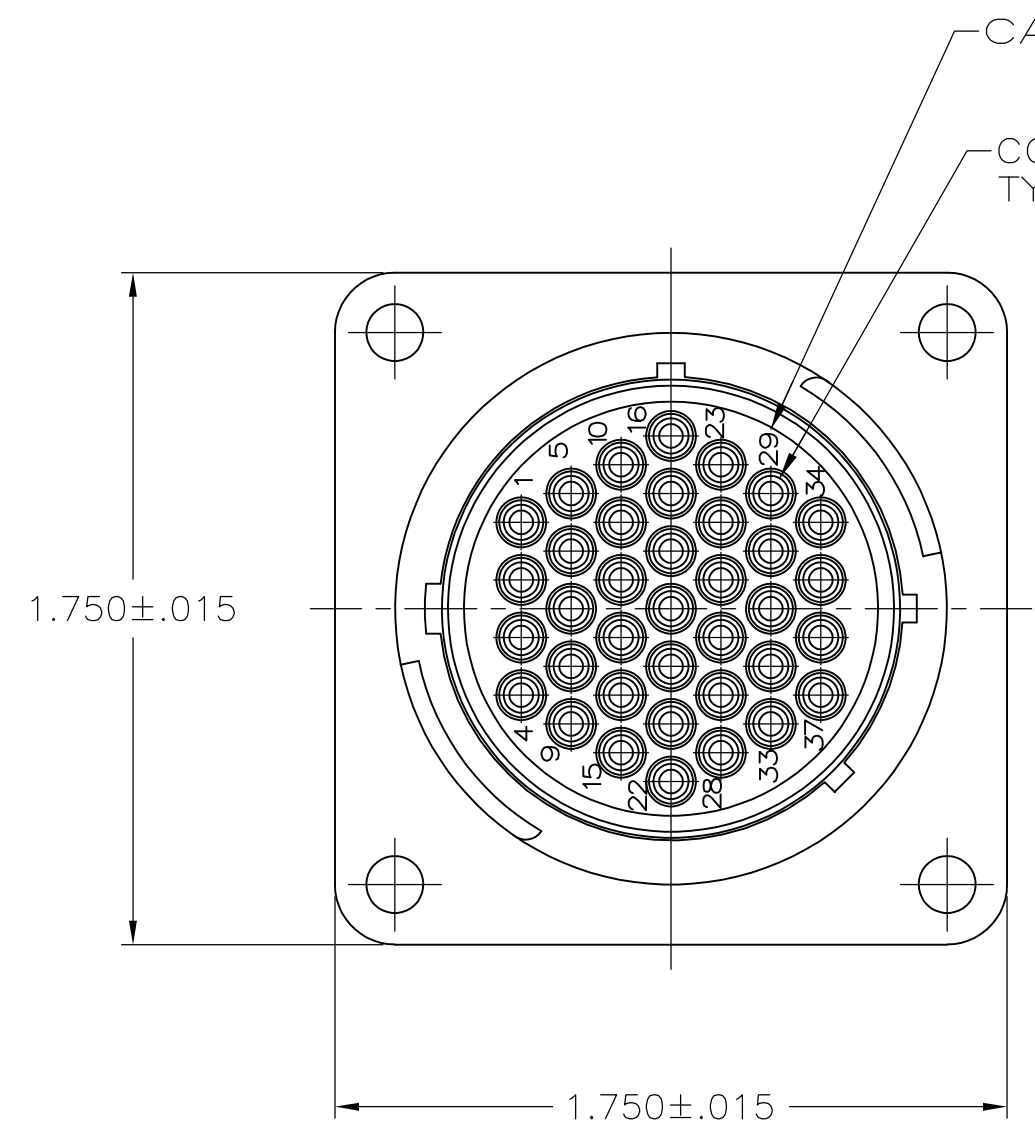


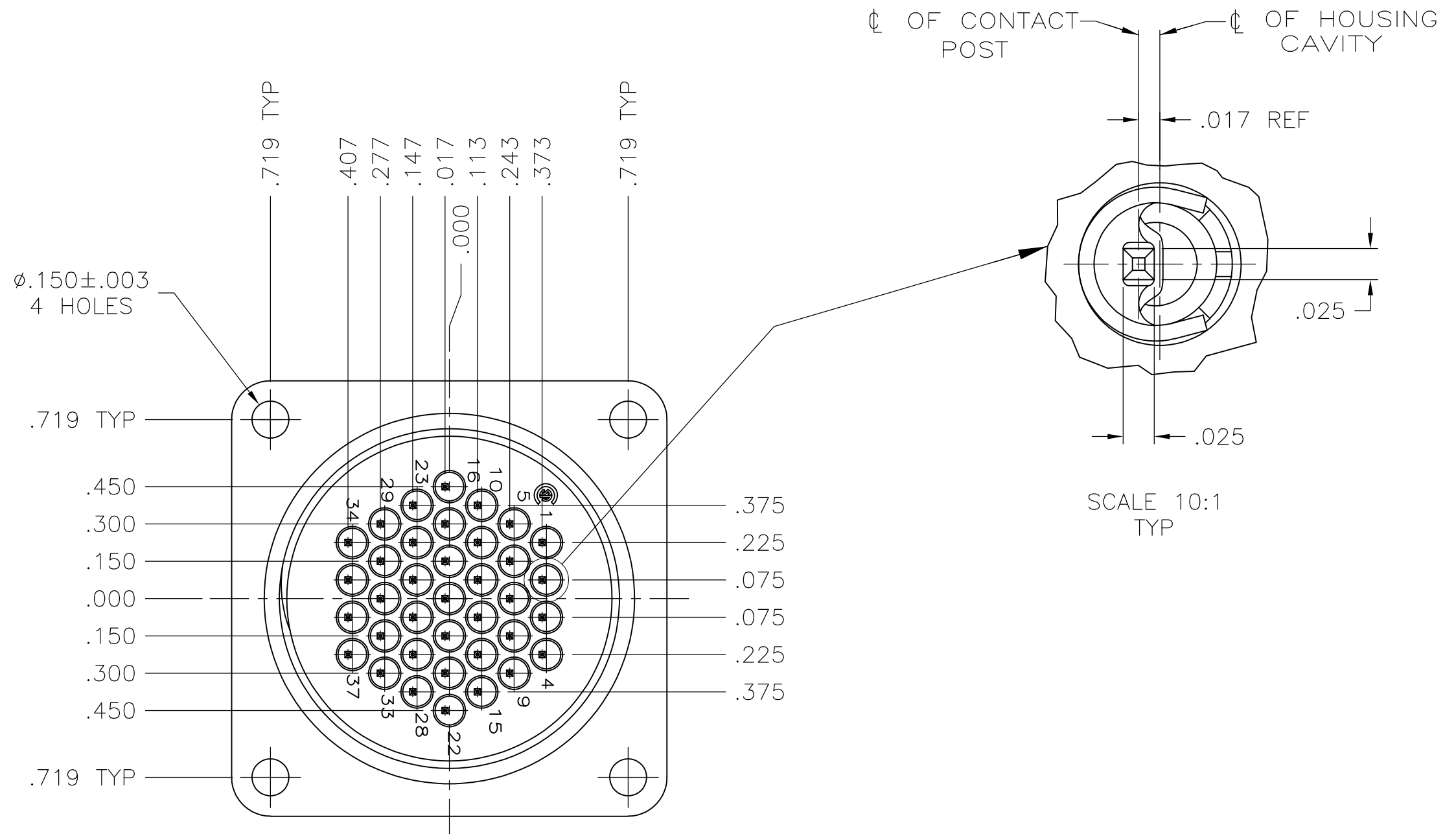
THIS DRAWING IS UNPUBLISHED. RELEASED FOR PUBLICATION
 © COPYRIGHT - By - ALL RIGHTS RESERVED.

REVISIONS				
P	LTR	DESCRIPTION	DATE	APVD
E1		REVISED PER ECO-16-004800	08SEP2016	NK MZ
F		REVISED PER ECO-16-018356	22MAR2017	RS MZ



PART NUMBER AND DATE CODE MARKED ON ANY FLANGE EDGE
 1 3/8-18 UNEF-2A

- 1 NYLON, UL 94V-0 RATED, BLACK.
- 2 STAINLESS STEEL.
- 3 BRASS.
- 4 CONTACT BODY: .000030 MIN GOLD FOR A LENGTH OF .200 MIN FROM MATING END. GOLD FLASH ON REMAINDER, BOTH OVER .000030 MIN NICKEL. CONTACT POST: .000100 MIN TIN-LEAD OVER .000050 MIN NICKEL.
- 5 RECOMMENDED PC BOARD HOLE SIZE FOR CONTACT POST = .035 ± .003 DIA.
- 6 CONTACT BODY: .000030 MIN GOLD FOR A LENGTH OF .200 MIN FROM MATING END. GOLD FLASH ON REMAINDER, BOTH OVER .000030 MIN NICKEL. CONTACT POST: .000100 MIN TIN OVER .000050 MIN NICKEL.
- 7 SELECT LOAD: NO CONTACTS LOADED IN POSITIONS 10 AND 32.



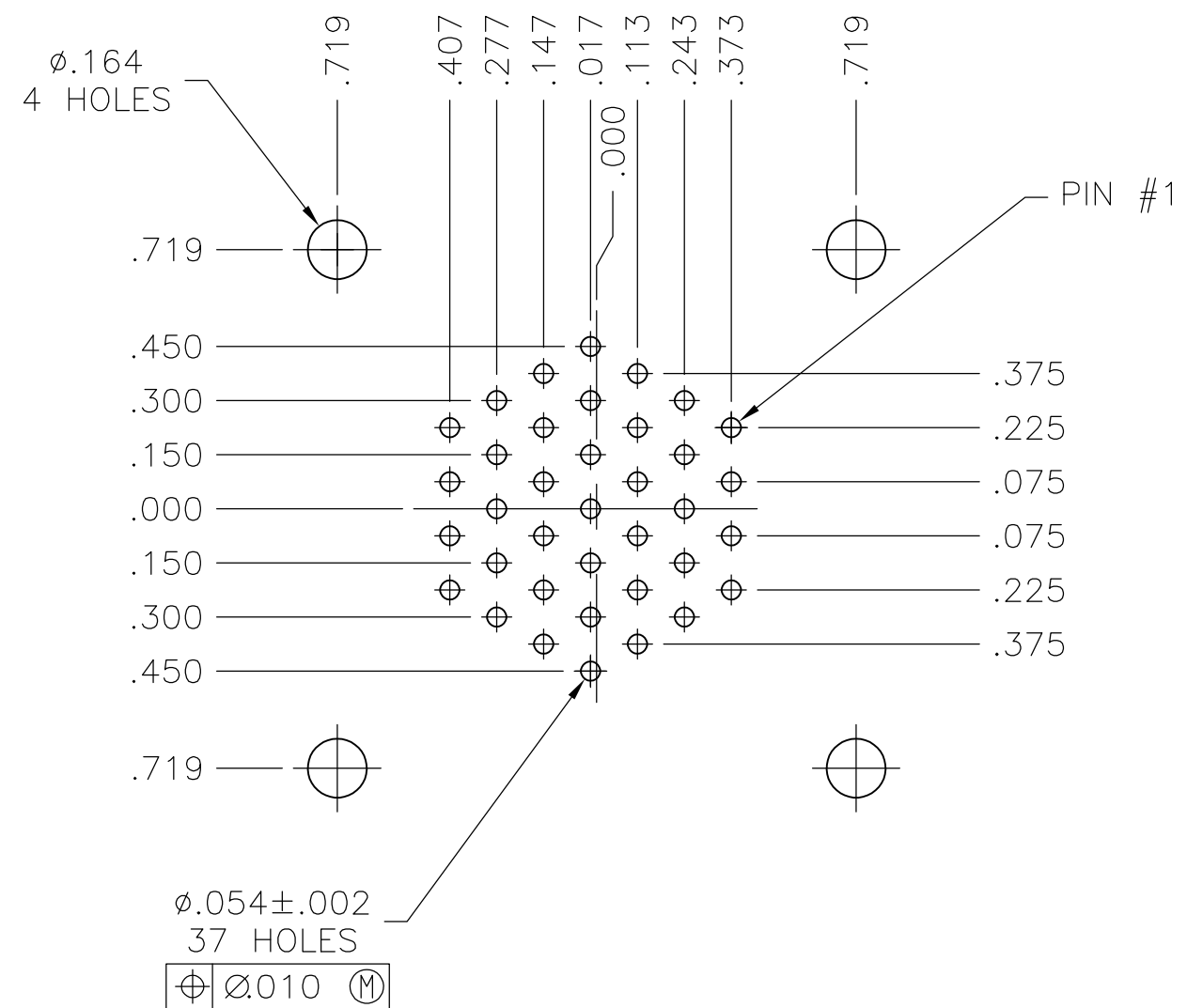
SCALE 10:1 TYP

DIM L	CONTACT FINISH	PERIPHERAL SEAL	PART NUMBER
.490	6	NO	213856-7
	4	NO	213856-6
.557	6	NO	213856-4
	4	YES	213856-2
	4	NO	213856-1

THIS DRAWING IS A CONTROLLED DOCUMENT.		DWN D.HARDY 01-03-95	TE TE Connectivity	
DIMENSIONS: INCHES		CHK R.STONE 01-09-95		
TOLERANCES UNLESS OTHERWISE SPECIFIED:		APVD -	NAME	
0 PLC ± -	1 PLC ± -	PRODUCT SPEC 108-10024	RECEPTACLE ASSEMBLY, POSTED, REVERSE SEX, 23-37, CPC	
2 PLC ± -	3 PLC ± .010	APPLICATION SPEC 114-10038	SIZE A2	CAGE CODE 00779
4 PLC ± -	ANGLES ± -	WEIGHT -	DRAWING NO C=213856	RESTRICTED TO -
MATERIAL HOUSING: 1	CONTACT SPRING: 2	FINISH CONTACT: 3	CUSTOMER DRAWING	
SCALE 2:1		SHEET 1 of 2	REV F	

THIS DRAWING IS UNPUBLISHED. RELEASED FOR PUBLICATION
 © COPYRIGHT - By - ALL RIGHTS RESERVED.

REVISIONS				
P	LTR	DESCRIPTION	DATE	APVD
-	-	SEE SHEET 1	-	-



RECOMMENDED P.C. BOARD LAYOUT

THIS DRAWING IS A CONTROLLED DOCUMENT.		DWN D.HARDY 01-03-95		
DIMENSIONS: INCHES		CHK R.STONE 01-09-95		
		TOLERANCES UNLESS OTHERWISE SPECIFIED: 0 PLC ± - 1 PLC ± - 2 PLC ± .010 3 PLC ± - 4 PLC ± - ANGLES ± -		NAME
MATERIAL HOUSING: CONTACT SPRING: CONTACT BODY & POST:		APVD - PRODUCT SPEC 108-10024 APPLICATION SPEC 114-10038 WEIGHT -		RECEPTACLE ASSEMBLY, POSTED, REVERSE SEX, 23-37, CPC
FINISH CONTACT:		SIZE A2 CAGE CODE 00779 DRAWING NO C-213856 RESTRICTED TO -		
CUSTOMER DRAWING		SCALE 2:1		SHEET 2 OF 2
				REV F

X-ON Electronics

Largest Supplier of Electrical and Electronic Components

Click to view similar products for [Standard Circular Connector](#) category:

Click to view products by [TE Connectivity](#) manufacturer:

Other Similar products are found below :

[5M2530B10P](#) [600259N006](#) [600273N007](#) [6134-336-13149](#) [6134-337-11149](#) [6134-337-2390](#) [6134-341-17149](#) [6280-4SG-516](#) [6280-7SG-3DC6290](#) [6291A](#) [66200A-10](#) [680-SMG](#) [681-PMG](#) [CXS3102A14S2P](#) [CXS3102A181S](#) [7251-5SG-300](#) [7271-6SG-300](#) [7282-3PG-300-CH3](#) [75-474618-01S](#) [75-474618-04P](#) [75-474618-04S](#) [799539-000](#) [MI8-SE](#) [805-005-07NF11-19PC](#) [805-005-07NF15-7PA](#) [8280-4PG-516](#) [8280-7PG-519](#) [8282-5PG-519](#) [836783-1](#) [MP-4102-25P-C](#) [862256-1](#) [864019-2](#) [866857-1](#) [867865-1](#) [PT01SP-14-18P](#) [PT08P-14-5S](#) [PTSF06SE-14-12S120-1833-000](#) [QCM019PC2DC012B](#) [1-2069279-1](#) [121583-0217](#) [121667-0020](#) [129591AU](#) [1000B BULK](#) [RD10A16-19-P6CS051/1](#)
[RD10A20-31-P8CS051/1](#) [RD16A14-12-S6CS051/2](#) [1301240290](#) [1301240347](#) [1301860202](#)