

THIS DRAWING IS UNPUBLISHED. RELEASED FOR PUBLICATION
 © COPYRIGHT - By - ALL RIGHTS RESERVED.

REVISIONS				
P	LTR	DESCRIPTION	DATE	APVD
F		REVISED PER ECO-16-016715	23NOV2016	RS MZ

D

C

B

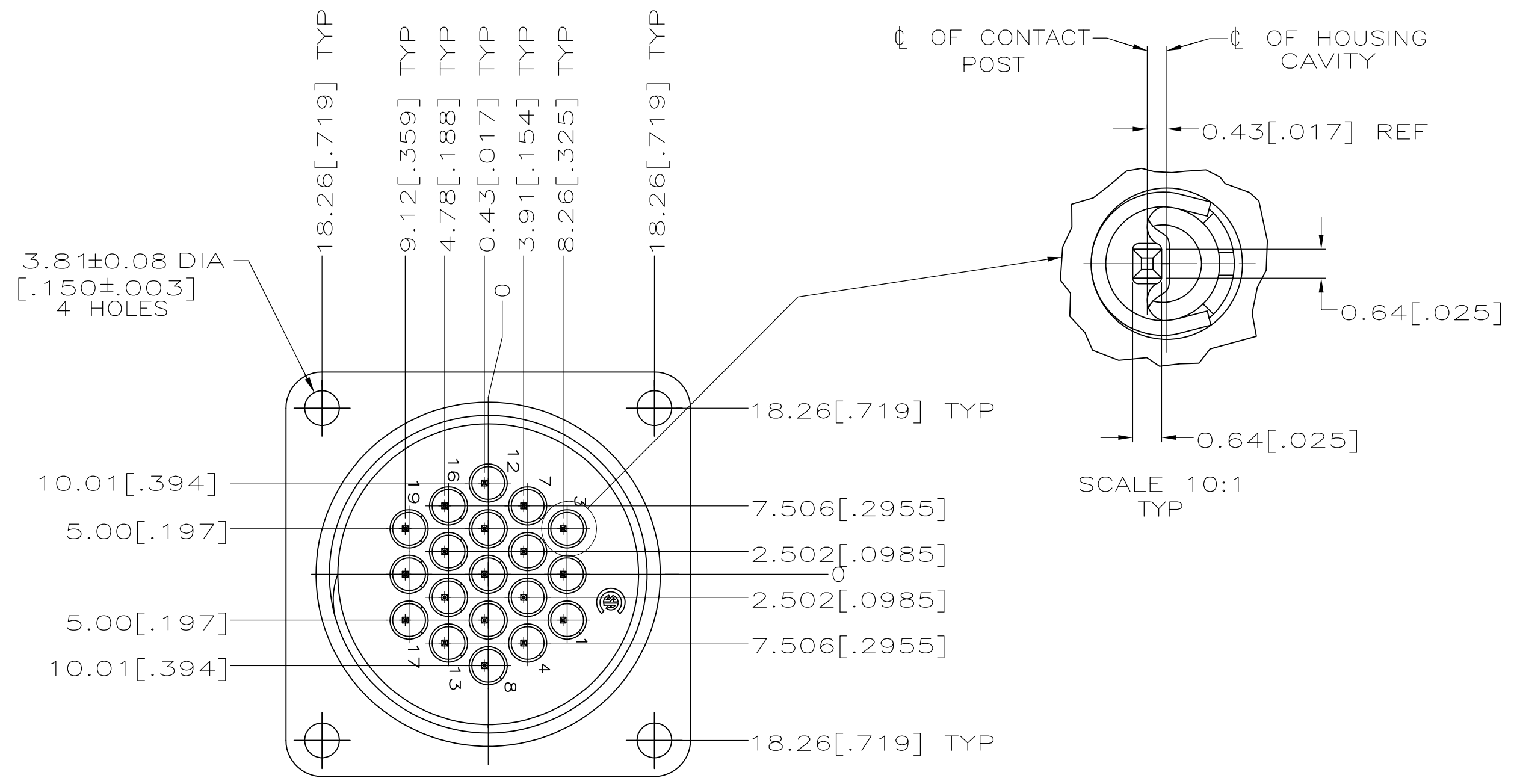
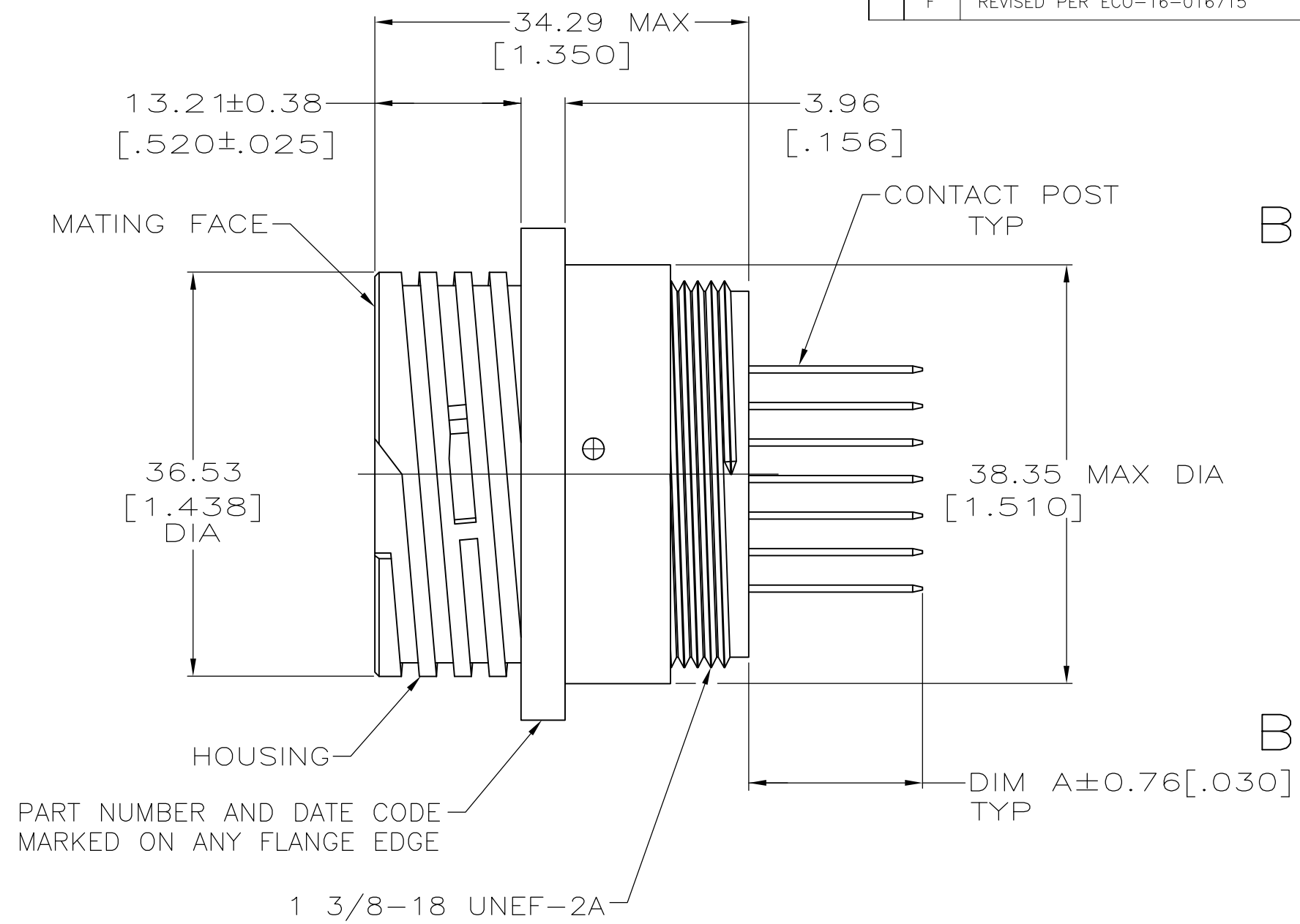
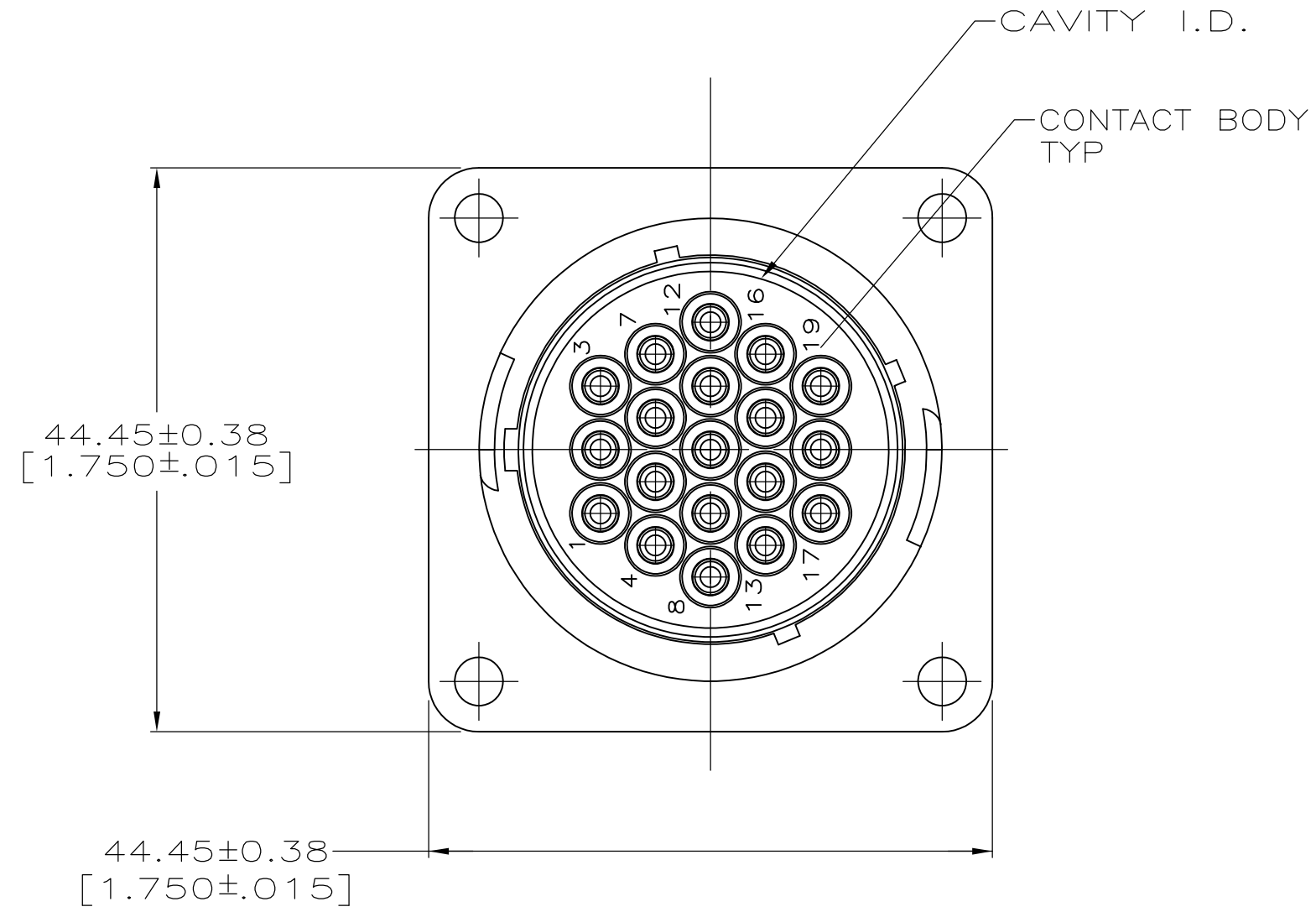
A

D

C

B

A



VIEW B-B

OBSOLETE	6.10 [.240]	△6	-213859-4-
	6.20 [.244]	△4	213859-3
	15.70 [.618]	△6	213859-2
OBSOLETE	15.70 [.618]	△4	-213859-1-
	DIM A	CONTACT FINISH	PART NUMBER

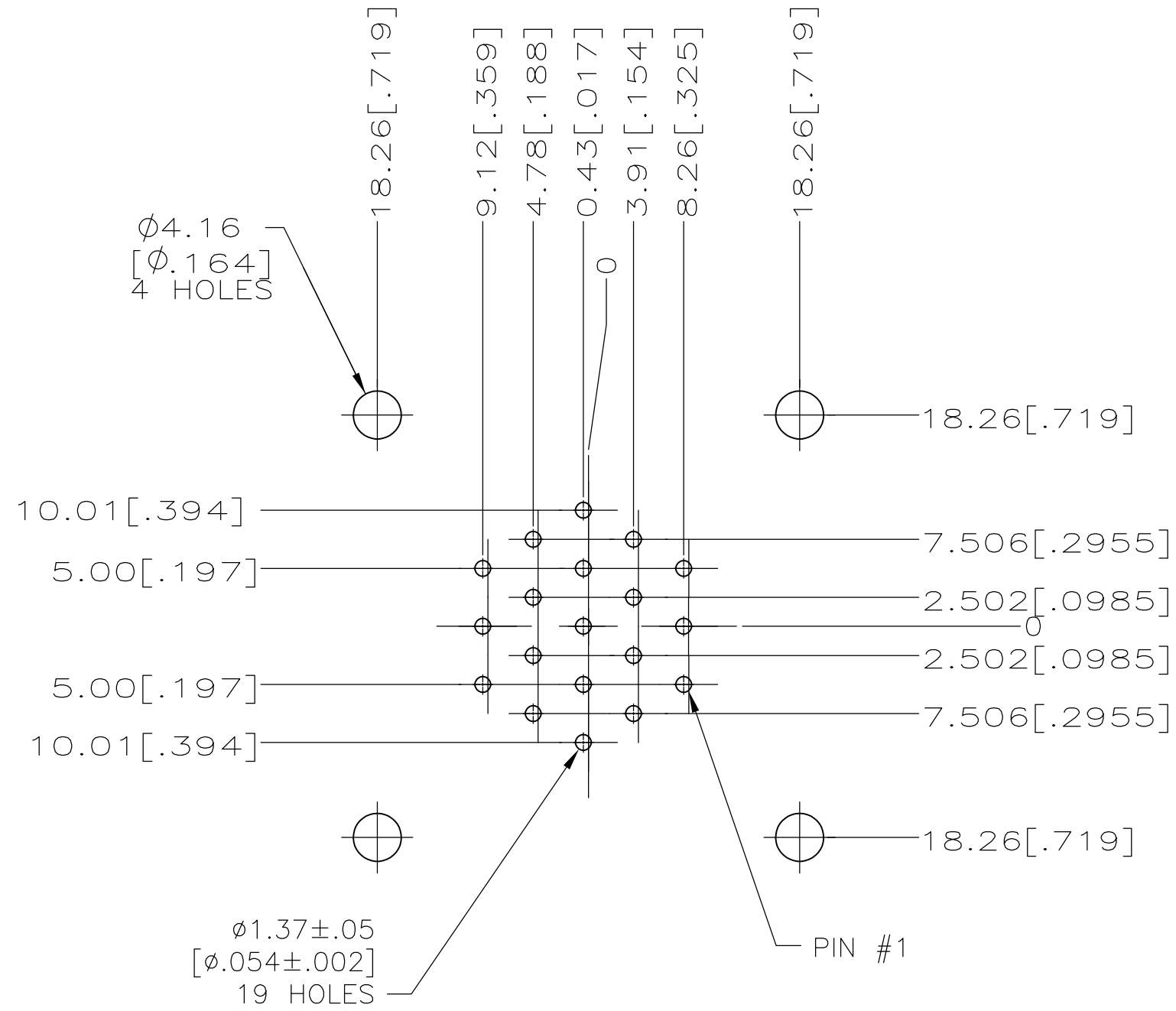
THIS DRAWING IS A CONTROLLED DOCUMENT.

DIMENSIONS: mm [INCHES]	TOLERANCES UNLESS OTHERWISE SPECIFIED: 0 PLC ± - 1 PLC ± - 2 PLC ± 0.25 [.010] 3 PLC ± 0.127 [.0050] 4 PLC ± - ANGLES ± -	FINISH CONTACT: SEE TABLE	DWN D.HARDY 01-06-95 CHK R.STONE 01-09-95 APVD - PRODUCT SPEC 108-10024 APPLICATION SPEC 114-10038 WEIGHT -	NAME RECEPTACLE ASSEMBLY, POSTED, STANDARD SEX, 23-19, CPC	SIZE A2 CAGE CODE 00779 DRAWING NO C=213859	RESTRICTED TO -
----------------------------	---	------------------------------	--	---	---	-----------------

CUSTOMER DRAWING SCALE 2:1 SHEET 1 OF 2 REV F

THIS DRAWING IS UNPUBLISHED. RELEASED FOR PUBLICATION
 © COPYRIGHT - By - ALL RIGHTS RESERVED.

REVISIONS					
P	LTR	DESCRIPTION	DATE	DWN	APVD
-	-	SEE SHEET 1	-	-	-



- 1 NYLON, UL94V-0 RATED, BLACK.
- 2 STAINLESS STEEL.
- 3 BRASS
- 4 CONTACT BODY: 0.76um [0.00030] MIN GOLD FOR A LENGTH OF 5.08 [0.200] MIN FROM MATING END. GOLD FLASH ON REMAINDER, BOTH OVER 1.27um [0.00050] MIN NICKEL. CONTACT POST: 2.54um [0.000100] MIN TIN-LEAD OVER 1.27um [0.00050] MIN NICKEL.
- 5 RECOMMENDED PC BOARD HOLE SIZE FOR CONTACT POST = 0.89 ± 0.08 [0.035 ± 0.003] DIA.
- 6 CONTACT BODY: 0.76um [0.00030] MIN GOLD FOR A LENGTH OF 5.08 [0.200] MIN FROM MATING END. GOLD FLASH ON REMAINDER, BOTH OVER 1.27um [0.00050] MIN NICKEL. CONTACT POST: 2.54um [0.000100] MIN TIN OVER 1.27um [0.00050] MIN NICKEL.

RECOMMENDED P.C. BOARD LAYOUT

THIS DRAWING IS A CONTROLLED DOCUMENT.		DWN D.HARDY 01-06-95														
DIMENSIONS: mm [INCHES]		CHK R.STONE 01-09-95														
TOLERANCES UNLESS OTHERWISE SPECIFIED:		APVD -	NAME RECEPTACLE ASSEMBLY, POSTED, STANDARD SEX, 23-19, CPC													
<table border="0"> <tr><td>0 PLC</td><td>± -</td></tr> <tr><td>1 PLC</td><td>± -</td></tr> <tr><td>2 PLC</td><td>± 0.25 [0.010]</td></tr> <tr><td>3 PLC</td><td>± 0.127 [0.0050]</td></tr> <tr><td>4 PLC</td><td>± -</td></tr> <tr><td>ANGLES</td><td>± -</td></tr> </table>		0 PLC	± -	1 PLC	± -	2 PLC	± 0.25 [0.010]	3 PLC	± 0.127 [0.0050]	4 PLC	± -	ANGLES	± -	PRODUCT SPEC 108-10024	SIZE A2	
0 PLC	± -															
1 PLC	± -															
2 PLC	± 0.25 [0.010]															
3 PLC	± 0.127 [0.0050]															
4 PLC	± -															
ANGLES	± -															
MATERIAL: HOUSING: CONTACT SPRING: CONTACT BODY & POST:		APPLICATION SPEC 114-10038	CAGE CODE 00779	DRAWING NO C=213859												
FINISH CONTACT: SEE TABLE		WEIGHT -	SCALE 2:1	SHEET 2 OF 2												
CUSTOMER DRAWING		REV F		RESTRICTED TO -												

X-ON Electronics

Largest Supplier of Electrical and Electronic Components

Click to view similar products for [Standard Circular Connector](#) category:

Click to view products by [TE Connectivity](#) manufacturer:

Other Similar products are found below :

[5M2530B10P](#) [600259N006](#) [600273N007](#) [6134-336-13149](#) [6134-337-11149](#) [6134-337-2390](#) [6134-341-17149](#) [6280-4SG-516](#) [6280-7SG-3DC](#)
[6290](#) [6291A](#) [66200A-10](#) [680-SMG](#) [681-PMG](#) [CXS3102A14S2P](#) [CXS3102A181S](#) [7251-5SG-300](#) [7271-6SG-300](#) [7282-3PG-300-CH3](#) [75-](#)
[474618-01S](#) [75-474618-04P](#) [75-474618-04S](#) [799539-000](#) [MI8-SE](#) [805-005-07NF11-19PC](#) [805-005-07NF15-7PA](#) [8280-4PG-516](#) [8280-7PG-](#)
[519](#) [8282-5PG-519](#) [836783-1](#) [MP-4102-25P-C](#) [862256-1](#) [864019-2](#) [866857-1](#) [867865-1](#) [PT01SP-14-18P](#) [PT08P-14-5S](#) [PTSF06SE-14-12S](#)
[120-1833-000](#) [QCM019PC2DC012B](#) [1-2069279-1](#) [121583-0217](#) [121667-0020](#) [129591AU](#) [1000B BULK](#) [RD10A16-19-P6CS051/1](#)
[RD10A20-31-P8CS051/1](#) [RD16A14-12-S6CS051/2](#) [1301240290](#) [1301240347](#) [1301860202](#)