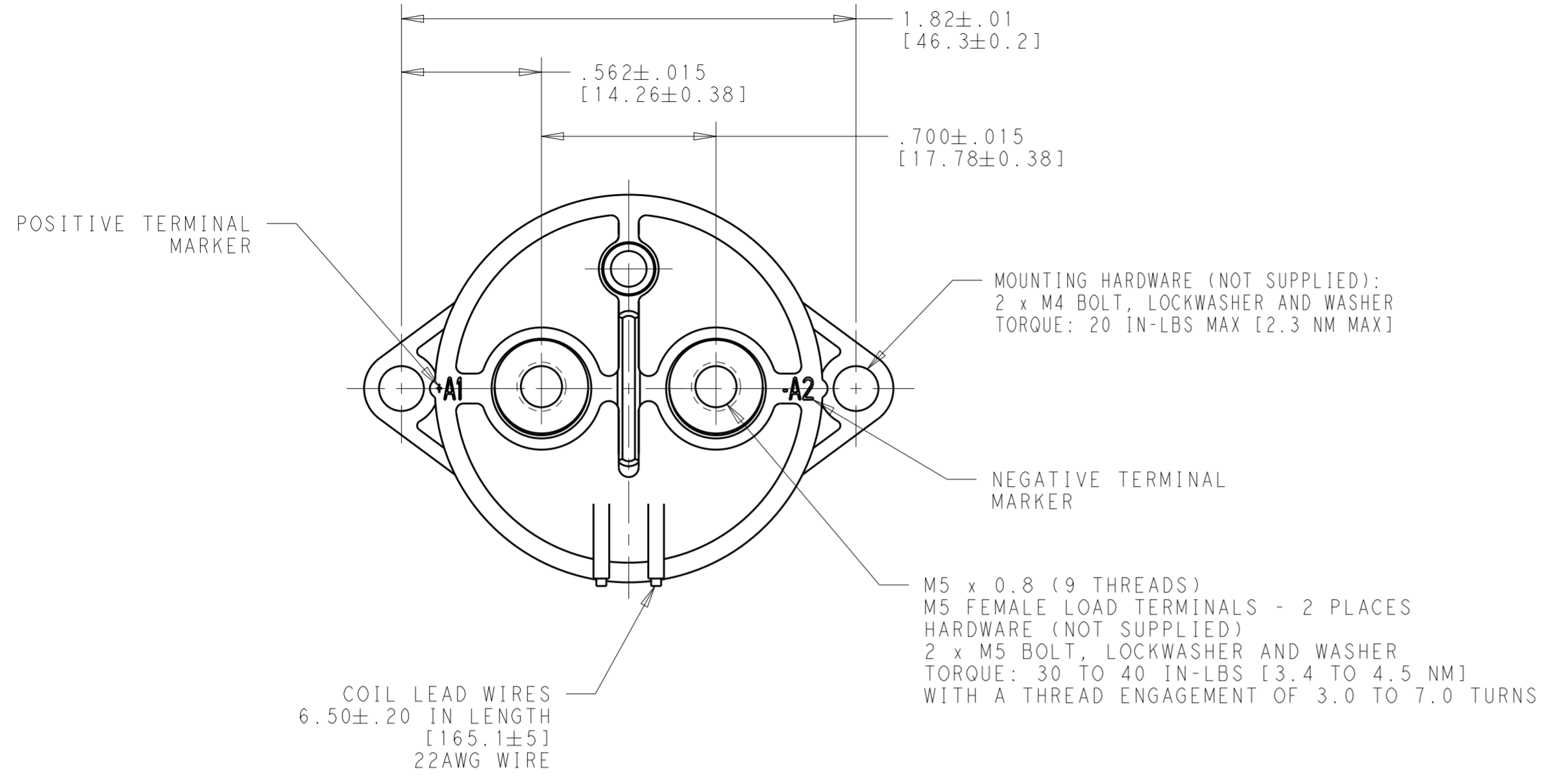
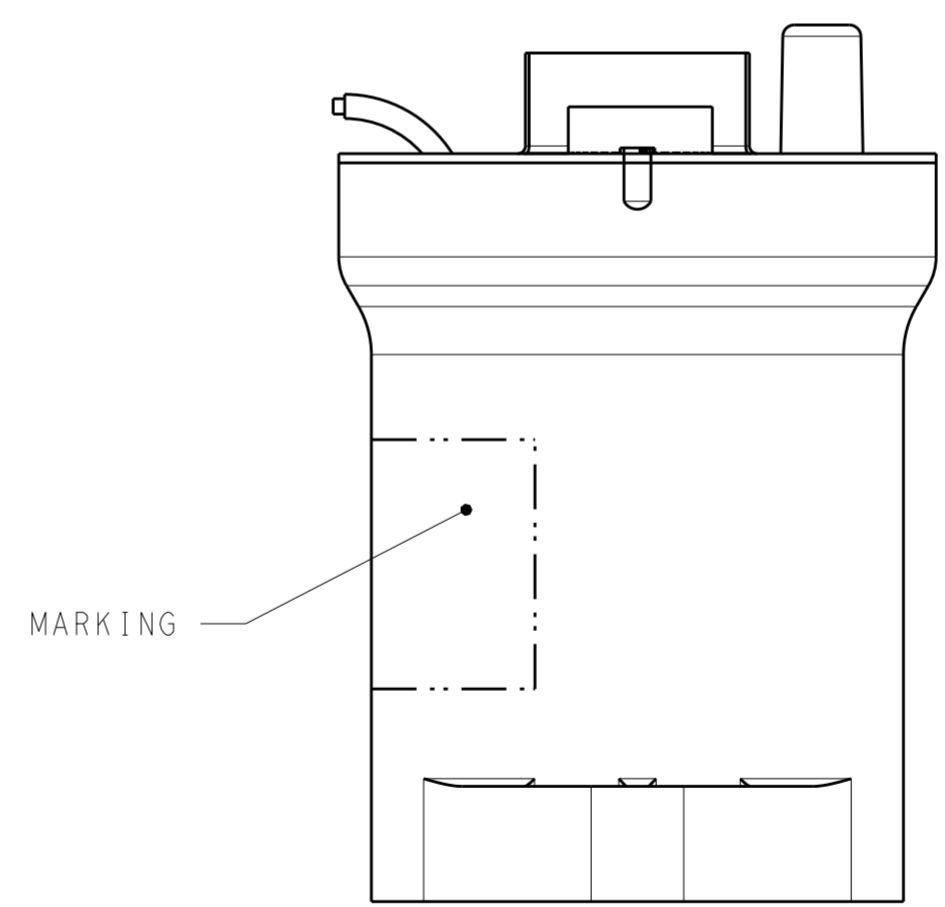
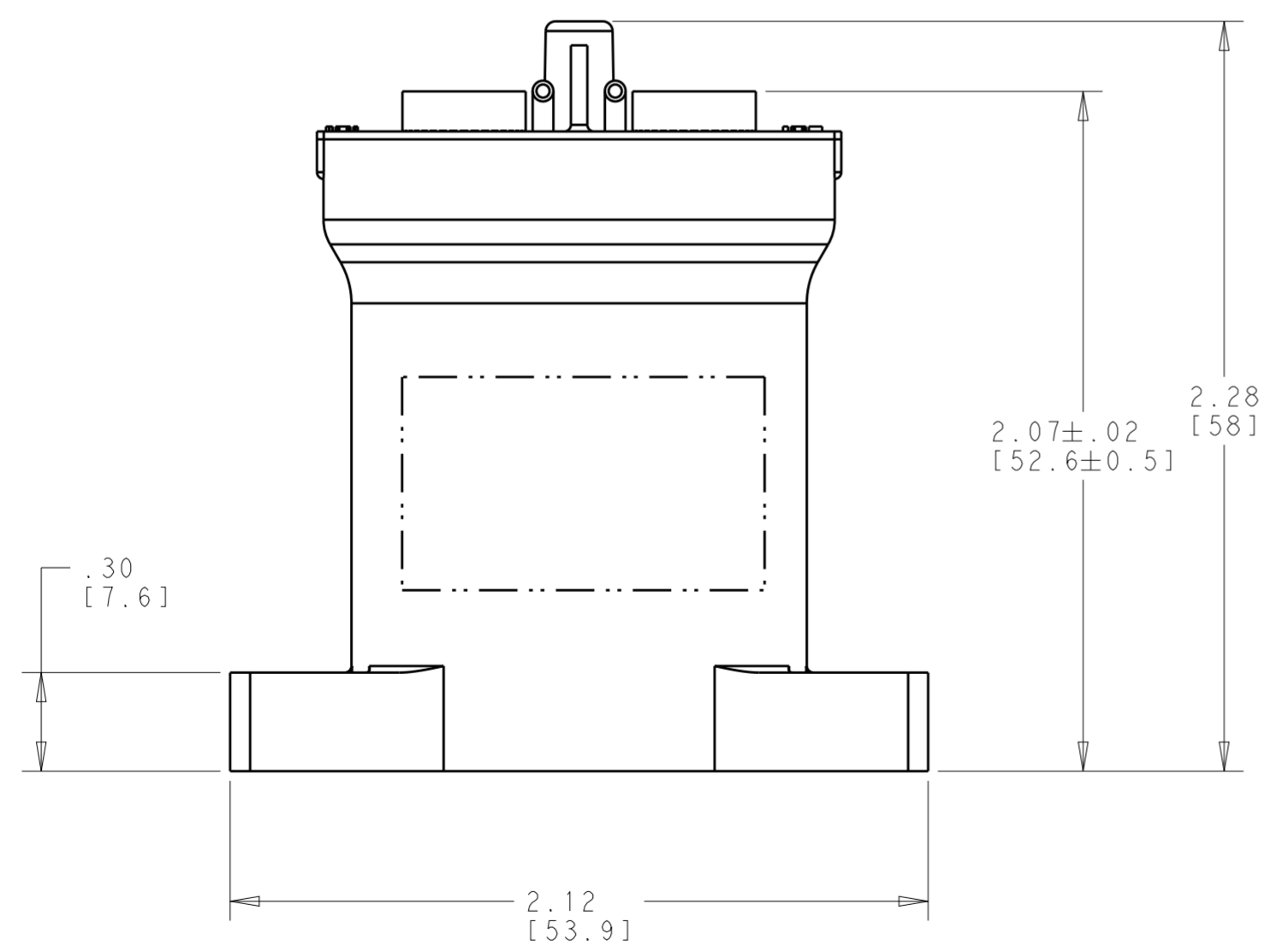


THIS DRAWING IS UNPUBLISHED. RELEASED FOR PUBLICATION 20
 © COPYRIGHT 20 BY - ALL RIGHTS RESERVED.

REVISIONS				
P	LTR	DESCRIPTION	DATE	APVD
1		INITIAL RELEASE	09APR2015	RGV TB



- 8.4mm² conductor. Current rating depends upon conductor size. Keep terminals below 150°C maximum continuous.
- 3 minutes @ +40°C ambient with 8.4mm² (#8AWG) conductor.
- A coil economizer circuit is needed if coil is energized for an extended length of time at a high operating temperature (i.e. 85°C).



2138602-1
 PART NUMBER

THIS DRAWING IS A CONTROLLED DOCUMENT.		DWN R VESTAL 09APR2015	TE Connectivity		
DIMENSIONS: INCHES [mm]		CHK T BANAS 09APR2015			
TOLERANCES UNLESS OTHERWISE SPECIFIED: 0 PLC ±- 1 PLC ±.012[0.3] 2 PLC ±.005[0.13] 3 PLC ±- 4 PLC ±- ANGLES ±1 FINISH -		APVD T BANAS 09APR2015	NAME EVC135 RELAY, WITH 24VDC COIL		
MATERIAL -		PRODUCT SPEC -	SIZE A2	CAGE CODE -	DRAWING NO C-2138602
		APPLICATION SPEC -	RESTRICTED TO -		
		WEIGHT -	SCALE 2:1 SHEET 1 OF 1 REV A		
		Customer Drawing			

X-ON Electronics

Largest Supplier of Electrical and Electronic Components

Click to view similar products for [Automotive Relays](#) category:

Click to view products by [TE Connectivity](#) manufacturer:

Other Similar products are found below :

[7-1414968-8](#) [7-1617345-6](#) [9-1617516-5](#) [1393204-2](#) [1393302-3](#) [13Z99A115-0074](#) [1432872-1](#) [AR4-15F11-S01](#) [AR4-15H11](#) [1617057-2](#)
[1617518-5](#) [2-1617057-2](#) [2-1617057-6](#) [CB1F-M-12V-H15](#) [898H-1AH-D-001-12VDC](#) [AR4-11F11](#) [AR4-15F11](#) [AR4-41F11](#) [41FZ-200ACG-](#)
[BSL](#) [5-1616920-2](#) [5407-0011-HS](#) [CB1AF-M-12V-H59](#) [5-1617346-8](#) [1-1617059-9](#) [V23134A1052X299](#) [6-1393298-2](#) [6-1393302-1](#) [CP112J](#)
[897H-1AH-D-R1-U01-12VDC](#) [871-1A-S-12VDC](#) [5436-0001-HS](#) [V23086-R1851-A502](#) [V23136-A0004-X075](#) [RH4C1P2607](#) [RE031005](#)
[V23134M0052G242](#) [1393204-1](#) [23234B0001X001-EV-144](#) [AZ9731-1C-12DC4](#) [AZ979-1A-24D](#) [V23134B0052C642](#) [V23234-A1001-X036](#)
[V23234C0001X006](#) [V23134J0065X497](#) [V23134J2053X194](#) [VF4A-45H11](#) [VF7-11F11-S01](#) [FBR56ND12-W1](#) [FBR572ND24-W](#) [LQ-12S](#)