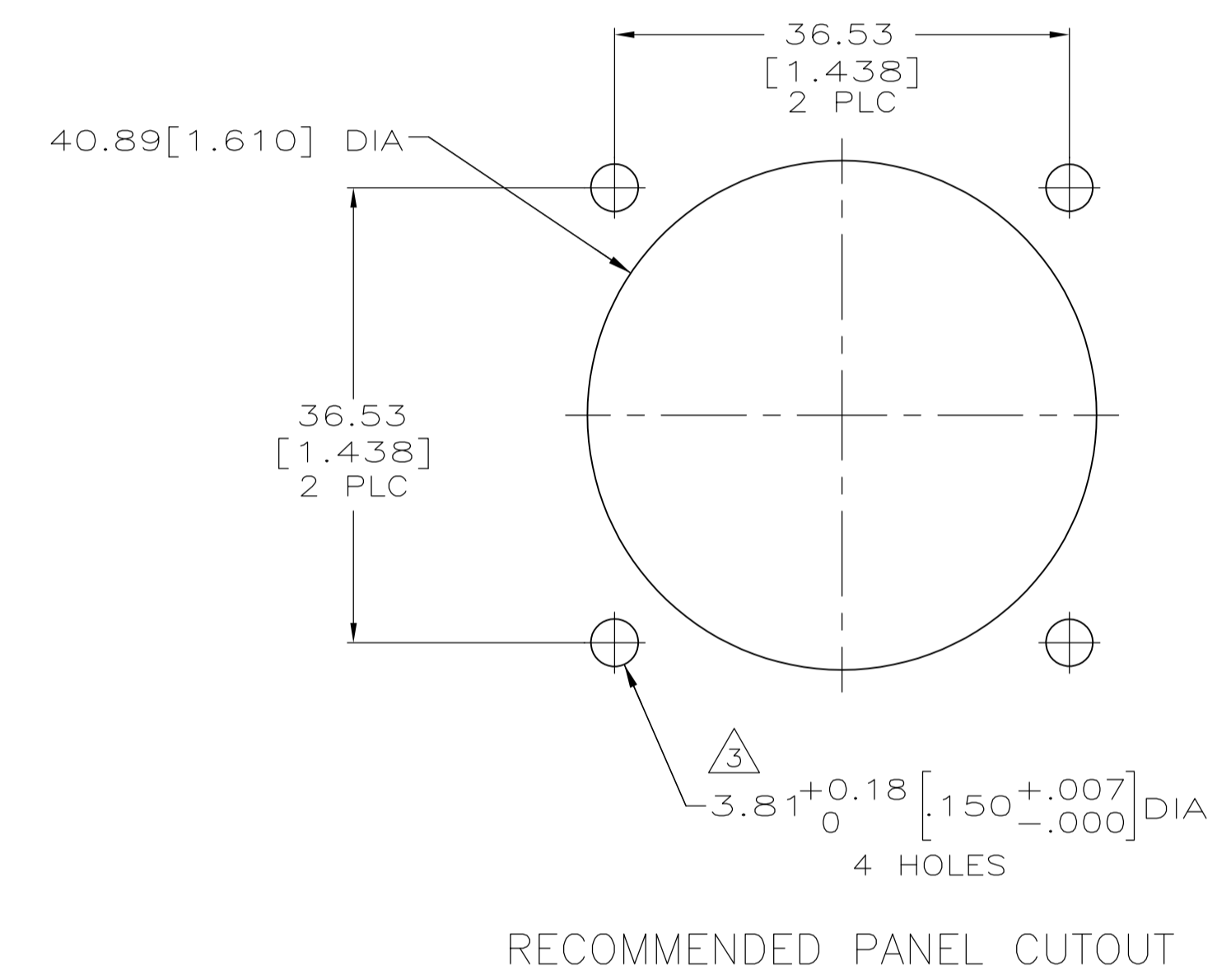
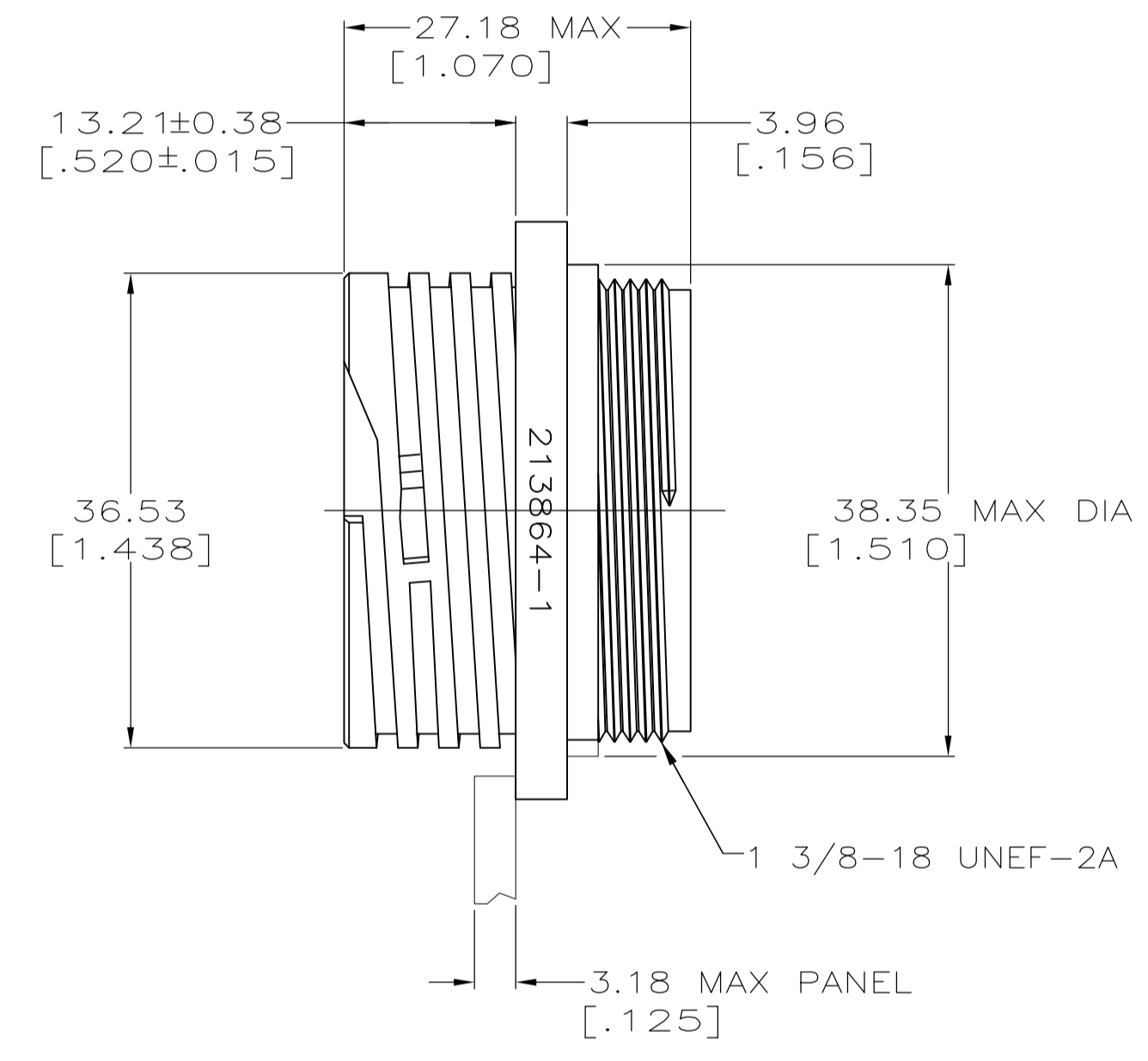
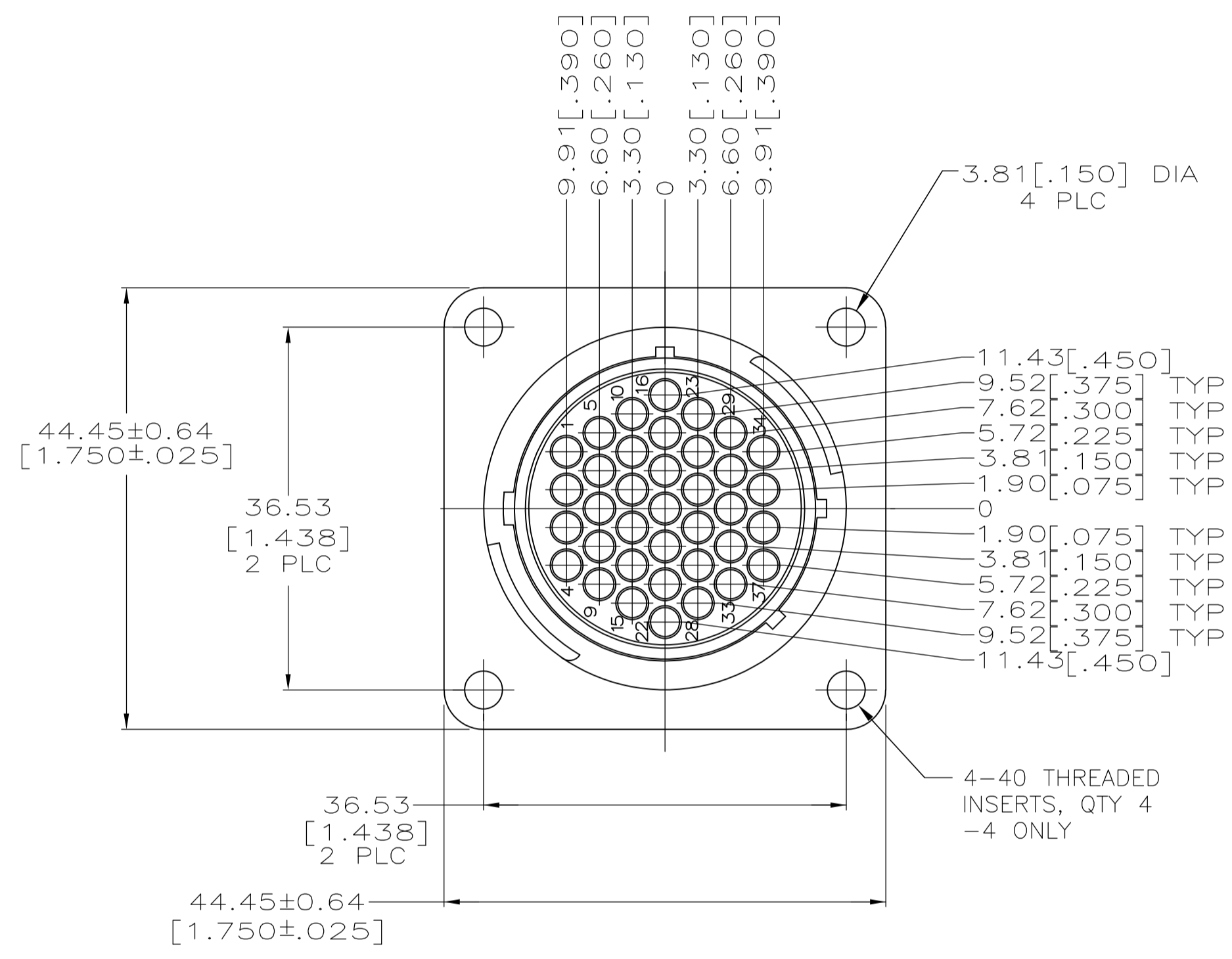


REVISIONS				
P	LTR	DESCRIPTION	DATE	APVD
C		REVISED PER ECO-12-015521	28SEP12	KH MZ
D		REVISED PER ECR-16-015135	23NOV2016	RS MZ

- 1 CAVITY IDENTIFICATION ON FRONT AND REAR FACE.
- 2 WILL ACCEPT THIRTY-SEVEN (37) MULTIMATE SOCKET CONTACTS.
- 3 NO 4 FASTENER RECOMMENDED FOR MOUNTING.
- 4 MATERIAL: GLASS REINFORCED NYLON.
- 5 MATERIAL: GLASS REINFORCED NYLON, 100% VIRGIN.



OBSOLETE	4	YES	-213864-4-
	5	NO	213864-2
	4	NO	213864-1
NOTES		4-40 INSERTS	PART NUMBER

THIS DRAWING IS A CONTROLLED DOCUMENT.		DWG: K.FOLTZ 12/22/94	STE TE Connectivity	
DIMENSIONS: mm [INCHES]		CHK: R.STONE 01/05/95	RECEPTACLE HOUSING, REVERSE SEX, SIZE 23, CPC	
TOLERANCES UNLESS OTHERWISE SPECIFIED:		APVD: -	PRODUCT SPEC: 108-10024	
0 PLC ± -		APPLICATION SPEC: -		
1 PLC ± -		SIZE: A1 00779 C=213864		
2 PLC ± 0.25 [.010]		WEIGHT: -		
3 PLC ± -		CUSTOMER DRAWING		
4 PLC ± -		SCALE: 2:1 SHEET 1 OF 1 REV D		
ANGLES ± -				
FINISH: -				

X-ON Electronics

Largest Supplier of Electrical and Electronic Components

Click to view similar products for [Standard Circular Connector](#) category:

Click to view products by [TE Connectivity](#) manufacturer:

Other Similar products are found below :

[5M2530B10P](#) [600259N006](#) [600273N007](#) [6134-336-13149](#) [6134-337-11149](#) [6134-337-2390](#) [6134-341-17149](#) [6280-4SG-516](#) [6280-7SG-3DC](#)
[6290](#) [6291A](#) [66200A-10](#) [680-SMG](#) [681-PMG](#) [CXS3102A14S2P](#) [CXS3102A181S](#) [7271-6SG-300](#) [7282-3PG-300-CH3](#) [75-474014-05S](#) [75-](#)
[474618-01S](#) [75-474618-04P](#) [75-474618-04S](#) [799539-000](#) [MI8-SE](#) [805-005-07NF11-19PC](#) [805-005-07NF15-7PA](#) [8280-4PG-516](#) [8280-7PG-](#)
[519](#) [8282-5PG-519](#) [836783-1](#) [MP-4102-25P-C](#) [862256-1](#) [864019-2](#) [866857-1](#) [867865-1](#) [PT01SP-14-18P](#) [PT08P-14-5S](#) [120-1833-000](#)
[QCM019PC2DC012B](#) [1-2069279-1](#) [121583-0217](#) [121667-0020](#) [129591AU](#) [1000B BULK](#) [RD10A16-19-P6CS051/1](#) [RD10A20-31-](#)
[P8CS051/1](#) [RD16A14-12-S6CS051/2](#) [1301240290](#) [1301240347](#) [1301860202](#) [1301240268](#)