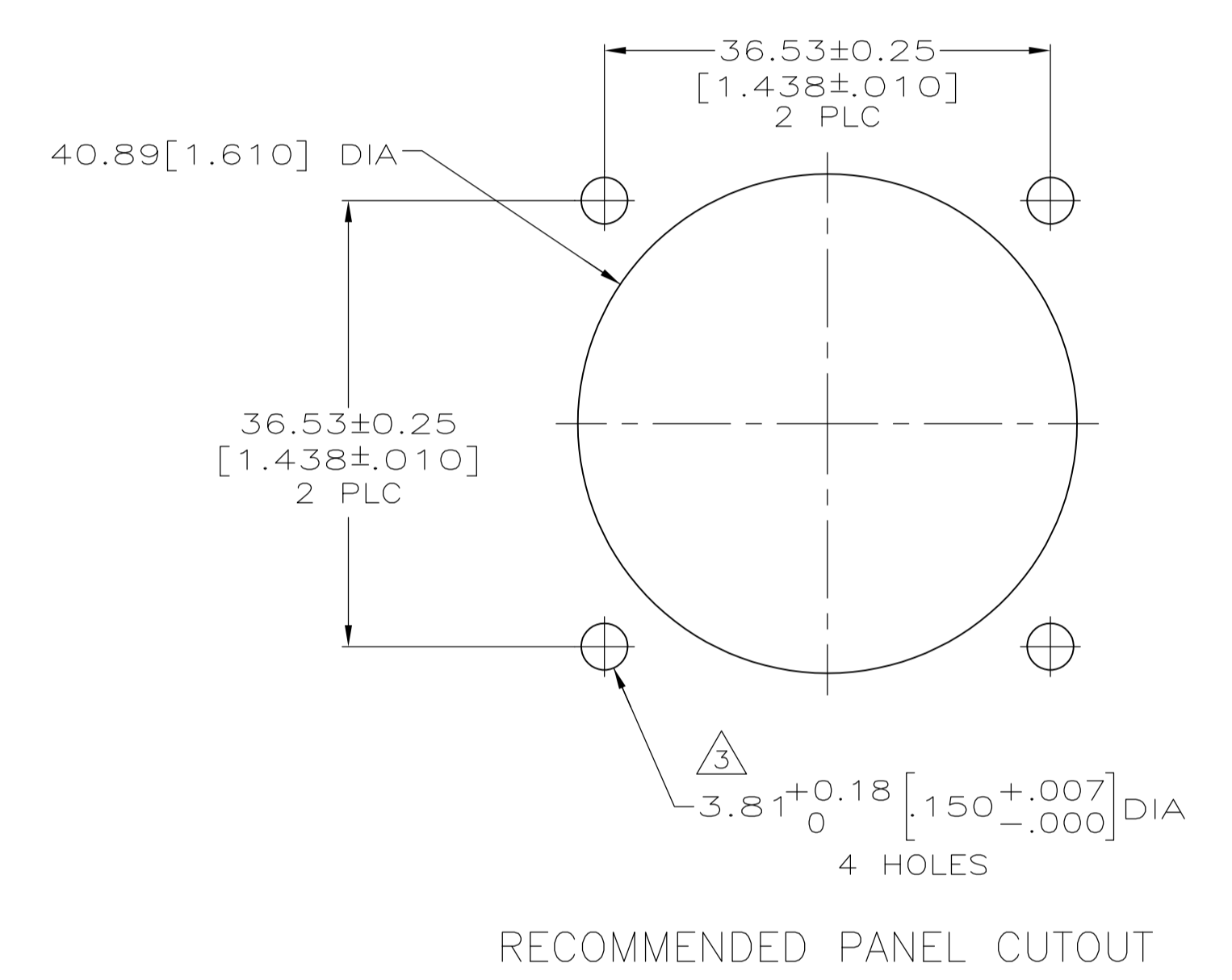
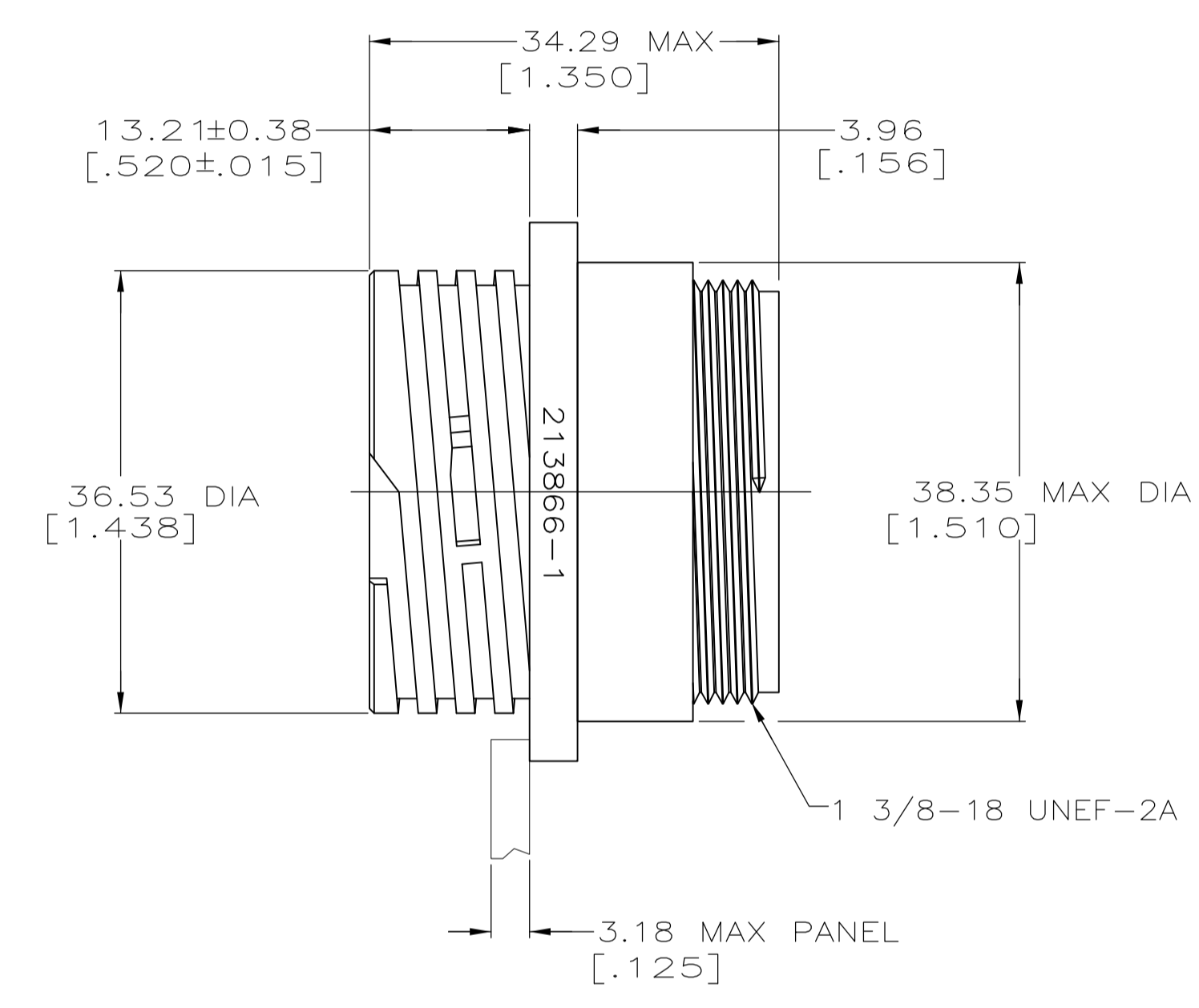
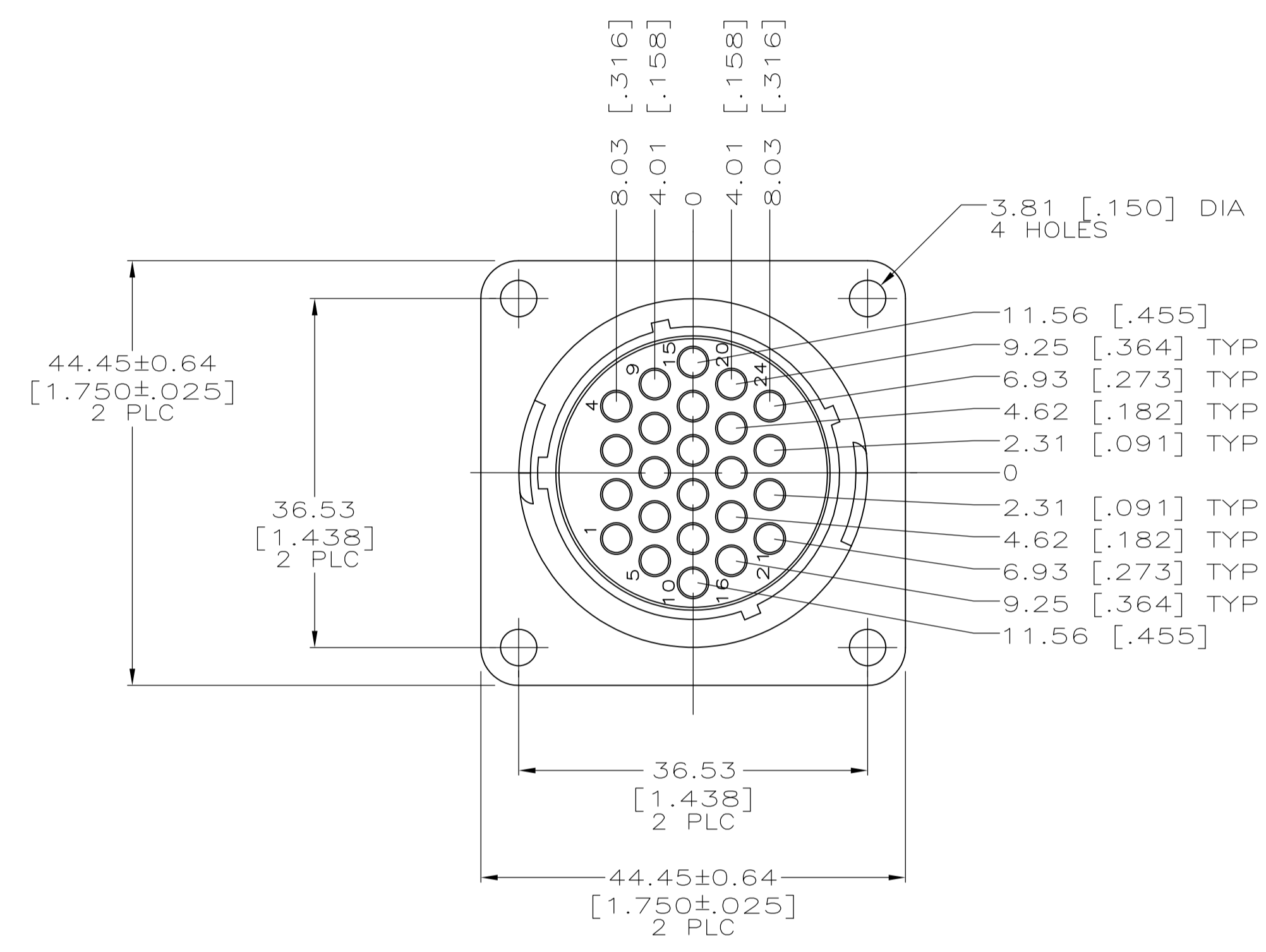


| LOC |     | DIST                      |         | REVISIONS |      |  |  |
|-----|-----|---------------------------|---------|-----------|------|--|--|
| P   | LTR | DESCRIPTION               | DATE    | DNW       | APVD |  |  |
| A   |     | REVISED PER ECO-12-015521 | 28SEP12 | KH        | MZ   |  |  |

- 1 CAVITY IDENTIFICATION ON FRONT AND REAR FACE.
- 2 WILL ACCEPT (24) MULTIMATE PIN CONTACTS.
- 3 NO 4 FASTENER RECOMMENDED FOR MOUNTING.
- 4 MAXIMUM INSULATION NOT TO EXCEED .150 DIA.



|  |  |                               |  |  |
|--|--|-------------------------------|--|--|
| THIS DRAWING IS A CONTROLLED DOCUMENT. |  | DIN<br>K.FOLTZ<br>12/23/94    |  |  |
| DIMENSIONS: INCHES                     |  | CHK<br>R.STONE<br>01/05/95    |  |  |
| TOLERANCES UNLESS OTHERWISE SPECIFIED: |  | APVD<br>T.COULSON<br>01/05/95 | NAME<br>RECEPTACLE HOUSING, STANDARD SEX, SIZE 23, CPC |  |
| 0 PLC ± -                              |  | PRODUCT SPEC<br>108-10024     | SIZE<br>A1   |  |
| 1 PLC ± -                              |  | APPLICATION SPEC              | CAGE CODE<br>00779                                     |  |
| 2 PLC ± 0.25 [.010]                    |  | FINISH                        | DRAWING NO<br>213866                                   |  |
| 3 PLC ± -                              |  | MATERIAL<br>NYLON, BLACK      | RESTRICTED TO  |  |
| 4 PLC ± -                              |  | WEIGHT                        | SCALE<br>2:1   |  |
| ANGLES ± -                             |  | CUSTOMER DRAWING              | SHEET<br>1 OF 1  |  |
|  |  |                               | REV<br>A   |  |

## X-ON Electronics

Largest Supplier of Electrical and Electronic Components

*Click to view similar products for [Standard Circular Connector](#) category:*

*Click to view products by [TE Connectivity](#) manufacturer:*

Other Similar products are found below :

[5M2530B10P](#) [600259N006](#) [600273N007](#) [6134-336-13149](#) [6134-337-11149](#) [6134-337-2390](#) [6134-341-17149](#) [6280-4SG-516](#) [6280-7SG-3DC](#)  
[6290](#) [6291A](#) [66200A-10](#) [680-SMG](#) [681-PMG](#) [CXS3102A14S2P](#) [CXS3102A181S](#) [7251-5SG-300](#) [7271-6SG-300](#) [7282-3PG-300-CH3](#) [75-](#)  
[474618-01S](#) [75-474618-04P](#) [75-474618-04S](#) [799539-000](#) [MI8-SE](#) [805-005-07NF11-19PC](#) [805-005-07NF15-7PA](#) [8280-4PG-516](#) [8280-7PG-](#)  
[519](#) [8282-5PG-519](#) [836783-1](#) [MP-4102-25P-C](#) [862256-1](#) [864019-2](#) [866857-1](#) [867865-1](#) [PT01SP-14-18P](#) [PT08P-14-5S](#) [PTSF06SE-14-12S](#)  
[120-1833-000](#) [QCM019PC2DC012B](#) [1-2069279-1](#) [121583-0217](#) [121667-0020](#) [129591AU](#) [1000B BULK](#) [RD10A16-19-P6CS051/1](#)  
[RD10A20-31-P8CS051/1](#) [RD16A14-12-S6CS051/2](#) [1301240290](#) [1301240347](#) [1301860202](#)