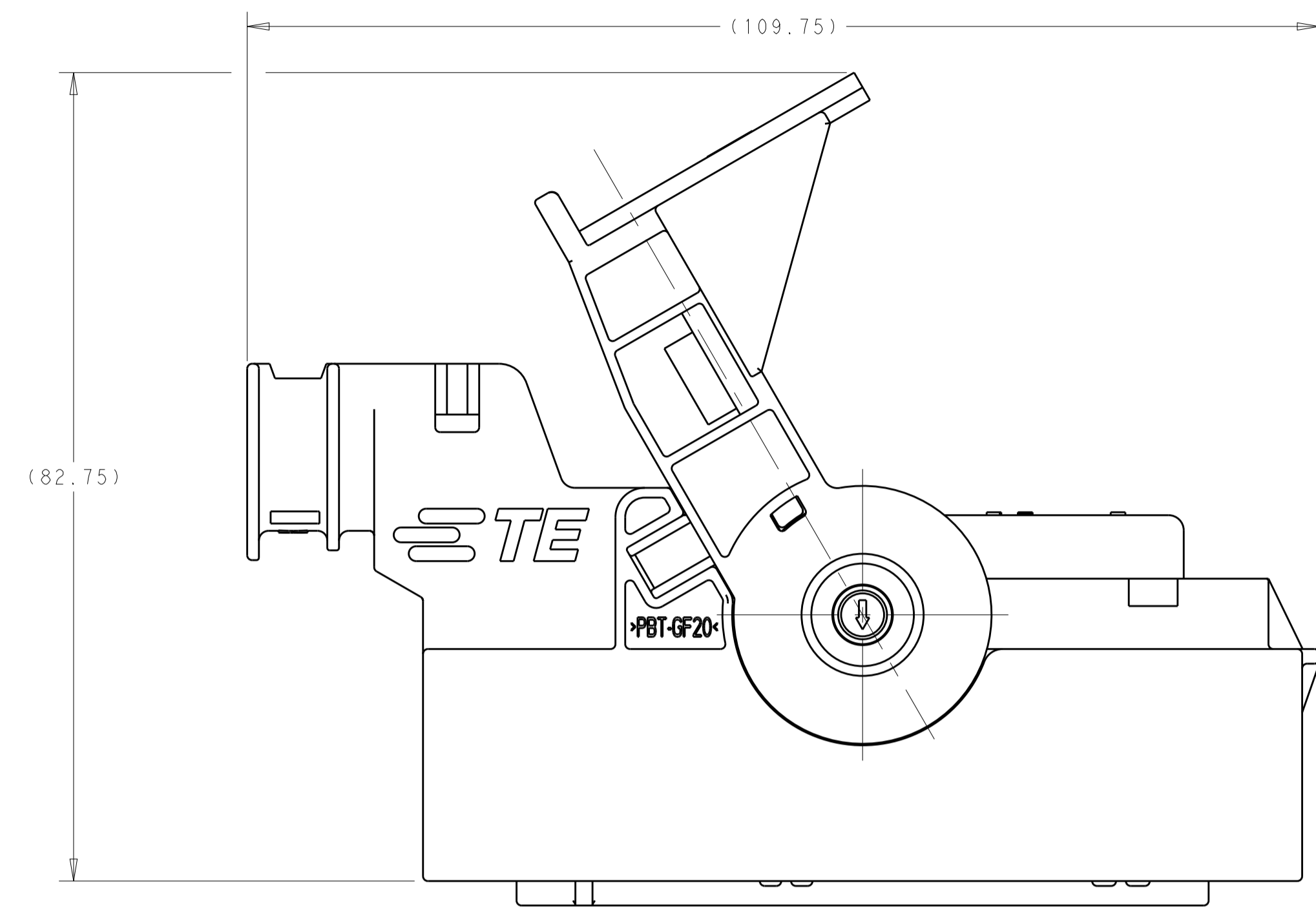


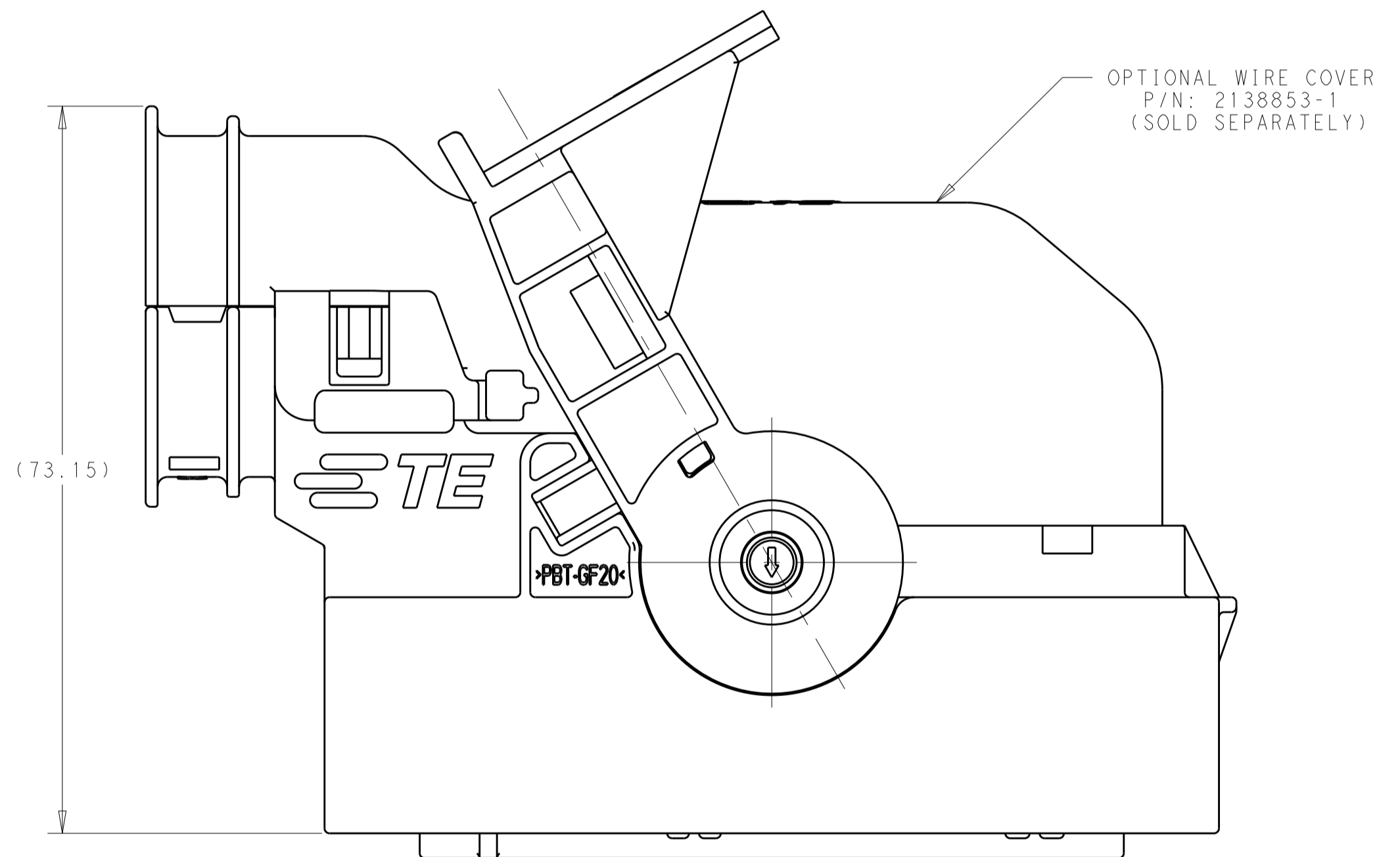
2138839-1 SHOWN
 LEVER SHOWN IN CLOSED
 (AS SHIPPED) POSITION

REVISIONS				
P.	LTN.	DESCRIPTION	DATE	APVD.
A		RELEASED PER ECO-13-013884	29AUG2013	RGV RN
A1		REVISED PER ECO-14-012597	18AUG2014	DD RN
B		REVISED PER ECO-15-004715	27MAR2015	JM RN



1. MATING PART: TE P/N 2138846-X.
2. DESIGNED FOR CORRUGATED TUBE NW26.
3. TPA SHOWN IN PRE-STAGED (AS SHIPPED) POSITION.
4. KEY MARKING IN APPROXIMATE AREA SHOWN.
5. ASSEMBLY P/N AND DATE CODE MARKED IN APPROXIMATE AREA SHOWN. SEE TABLE FOR P/N TO KEY RELATIONSHIP.
6. SEE TABLE FOR PLUG HOUSING COLOR TO KEY RELATIONSHIP.

LEVER SHOWN IN OPEN POSITION



LEVER SHOWN IN OPEN POSITION
 WITH OPTIONAL WIRE COVER

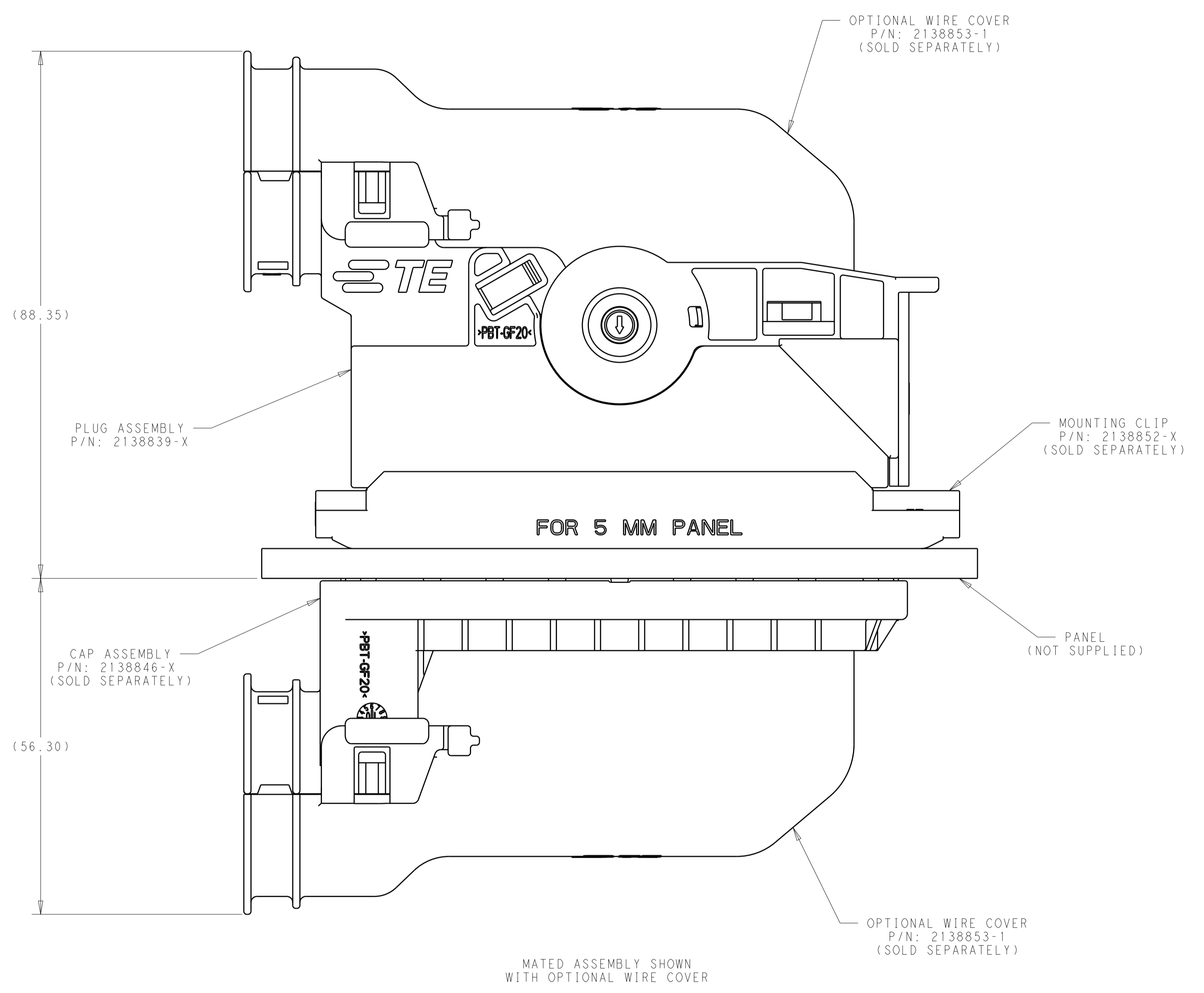
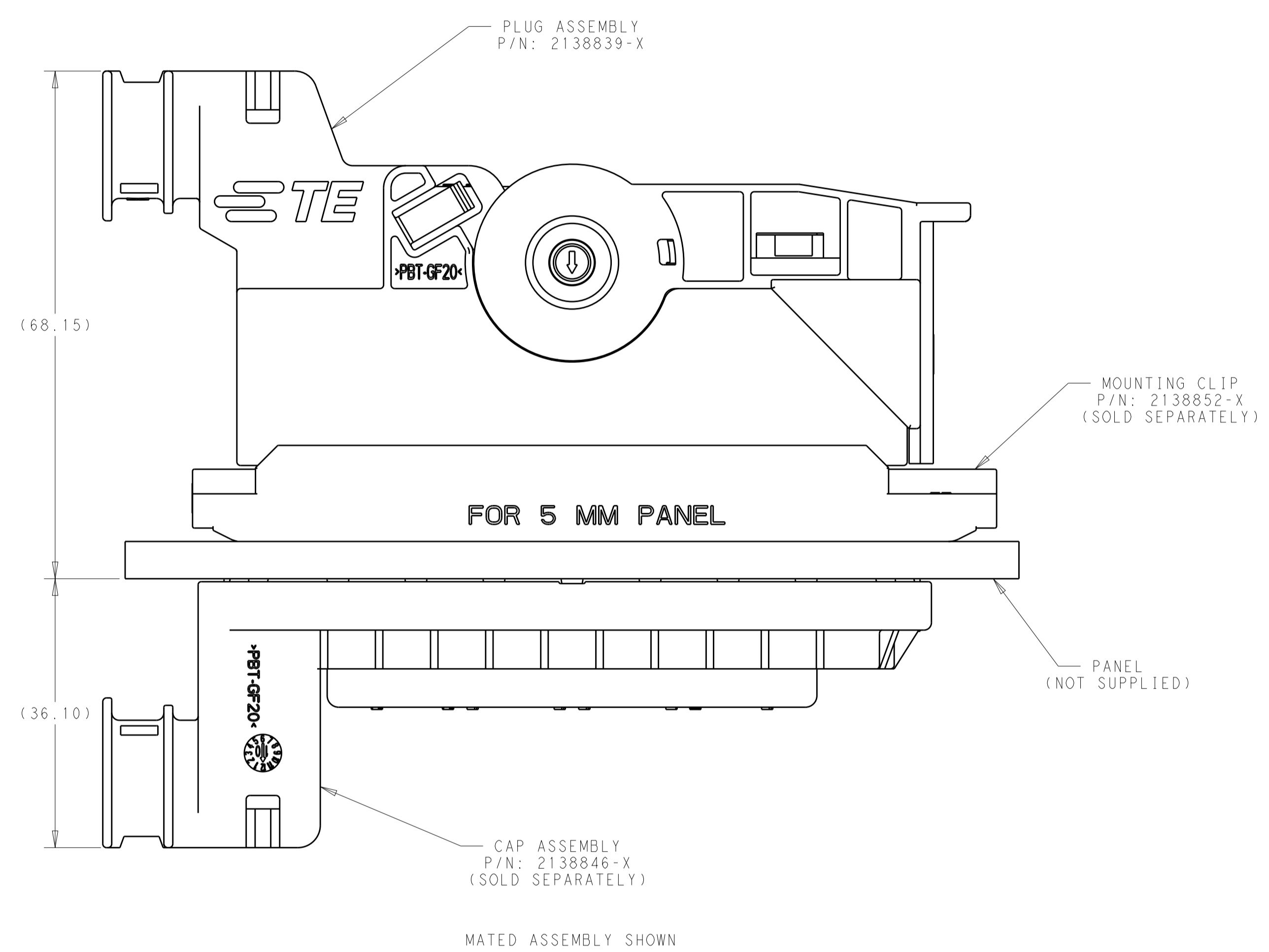
(4) SIZE 12: 2.82 MIN, 4.09 MAX (24) SIZE 16: 1.68 MIN, 2.77 MAX	28 POSITIONS TOTAL (4) SIZE 12 (24) SIZE 16	KEY B	BROWN	2138839-2
		KEY A	BLACK	2138839-1
WIRE DIA.	DESCRIPTION	KEY 4	HSG. COLOR 6	PART NO 5

THIS DRAWING IS A CONTROLLED DOCUMENT.

DIMENSIONS:	TOLERANCES UNLESS OTHERWISE SPECIFIED:	OWN: R. VESTAL 13JAN2012	NAME: PLUG ASSEMBLY, AMPSEAL 16 HYBRID LEVER
mm	0 PLC ± 1 PLC ± 2 PLC ± 3 PLC ± 4 PLC ± ANGLES ±1*	CHK: R. NARANG 30JAN2012	RESTRICTED TO
MATERIAL:	FINISH:	APVD: D. KLEIN 30JAN2012	SIZE: A1
SEE TABLE	SEE TABLE	PRODUCT SPEC: 108-32036	CAGE CODE: 100779
		APPLICATION SPEC: 114-32117	DRAWING NO: C=2138839
		WEIGHT:	SCALE: 2:1
		CUSTOMER DRAWING	SHEET 1 OF 3

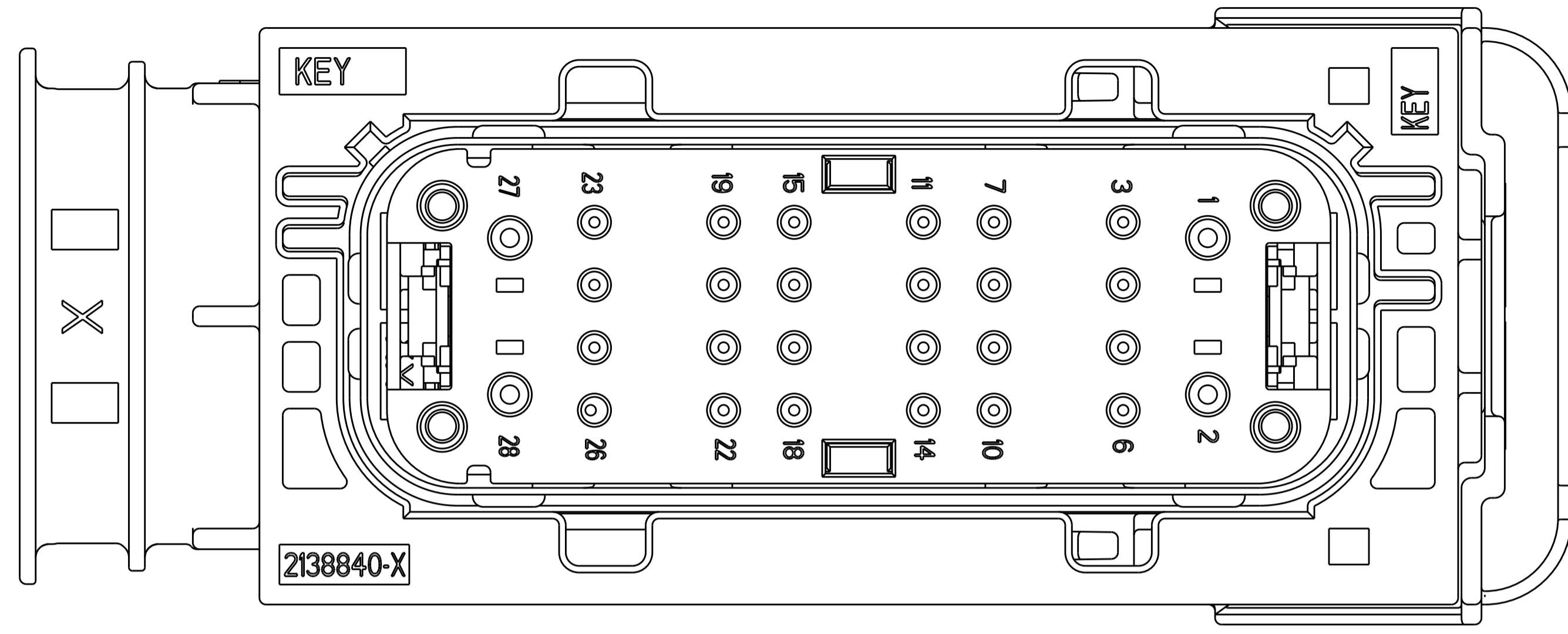
TE Connectivity

REVISIONS				
P.	LTN	DESCRIPTION	DATE	OWN APVD
-	-	SEE SHEET 1	-	-

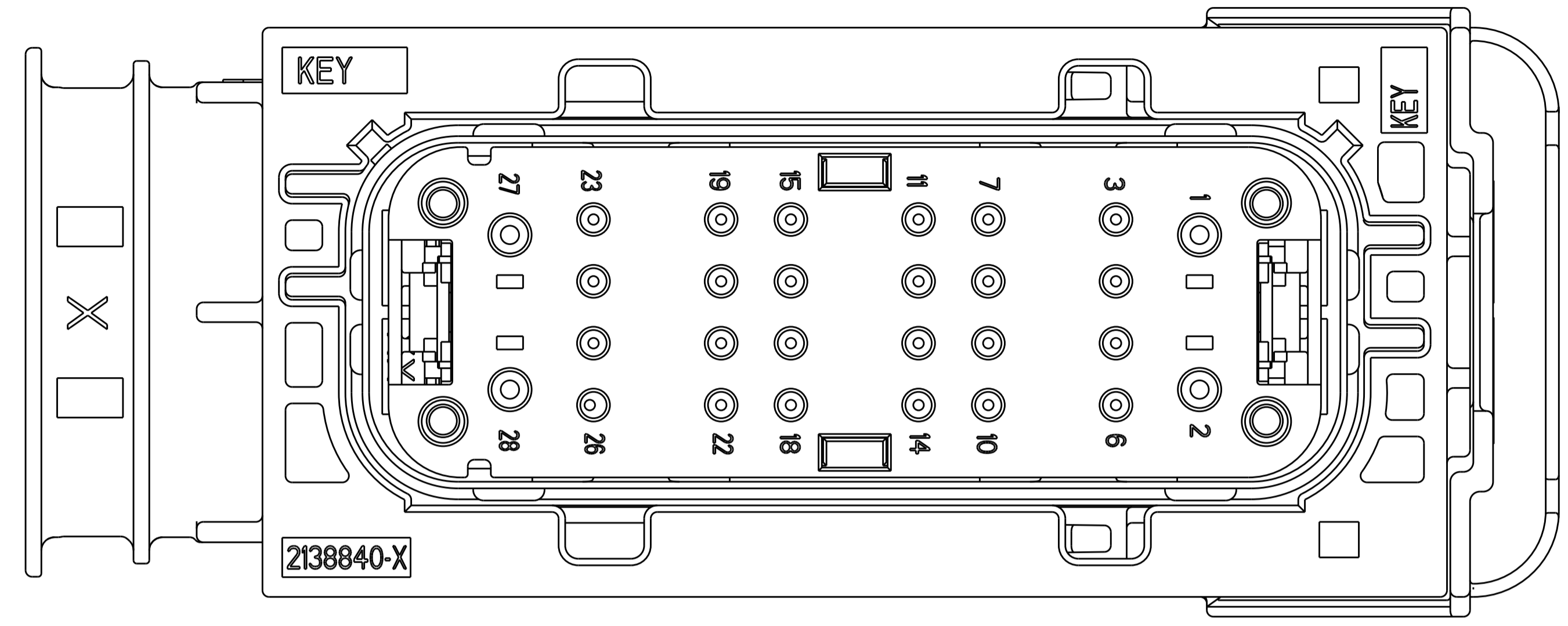


THIS DRAWING IS A CONTROLLED DOCUMENT.		OWN R. VESTAL 13JAN2012	TE Connectivity NAME PLUG ASSEMBLY, AMPSEAL 16 HYBRID LEVER
DIMENSIONS: mm		CHK R. NARANG 30JAN2012	
TOLERANCES UNLESS OTHERWISE SPECIFIED: 0 PLC ± 2 PLC ± 3 PLC ± 4 PLC ± ANGLES ±1°		APVD D. KLEIN 30JAN2012	PRODUCT SPEC 108-32036 APPLICATION SPEC 114-32117
MATERIAL SEE TABLE	FINISH SEE TABLE	WEIGHT -	SIZE A100779C=2138839 CUSTOMER DRAWING SCALE 2:1 SHEET 2 OF 3 REV B

REVISIONS				
P.	LTN	DESCRIPTION	DATE	APVD
-	-	SEE SHEET 1	-	-



SCALE 3:1
 2138839-1, KEY A SHOWN



SCALE 3:1
 2138839-2, KEY B SHOWN

THIS DRAWING IS A CONTROLLED DOCUMENT.		DWN R. VESTAL 13JAN2012 CHK R. NARANG 30JAN2012 APVD D. KLEIN 30JAN2012	
DIMENSIONS: mm 	TOLERANCES UNLESS OTHERWISE SPECIFIED: 0 PLC ± 1 PLC ± 2 PLC ± 3 PLC ± 4 PLC ± ANGLES ±1° FINISH	PRODUCT SPEC 108-32036 APPLICATION SPEC 114-32117 WEIGHT	
MATERIAL SEE TABLE	FINISH SEE TABLE	CUSTOMER DRAWING	SIZE A1 CAGE CODE 00779 DRAWING NO. C=2138839 SCALE 2:1 SHEET 3 OF 3 REV B

X-ON Electronics

Largest Supplier of Electrical and Electronic Components

Click to view similar products for [Automotive Connectors](#) category:

Click to view products by [TE Connectivity](#) manufacturer:

Other Similar products are found below :

[003-018-000](#) [60403001](#) [60993906-B](#) [M902-2131](#) [M902-2161](#) [72.330.1035.1](#) [73.353.4028.0](#) [F119300-B](#) [F166900](#) [F258300-B](#) [F358300-B](#)
[F407400](#) [F444110](#) [F487000](#) [F509500B-B](#) [827153-1](#) [8N1515-32-24P](#) [9-1326729-8](#) [925474-1](#) [928905-1](#) [964562-4](#) [968782-1](#) [GT17SA-8DS-](#)
[HU](#) [98891-1012](#) [98947-1016](#) [12004147](#) [12004475-L](#) [12010290](#) [12010309-B](#) [12015454](#) [12020219-B](#) [12020308](#) [12041318-B](#) [12052225-L](#)
[12052466](#) [12059125](#) [12064869](#) [12004327-B](#) [12010503-B](#) [12015308](#) [12015384](#) [12015909](#) [1-21030-1](#) [12041254](#) [12041318](#) [12047946-B](#)
[12047957](#) [12047957-L](#) [12059473](#) [12066261](#)