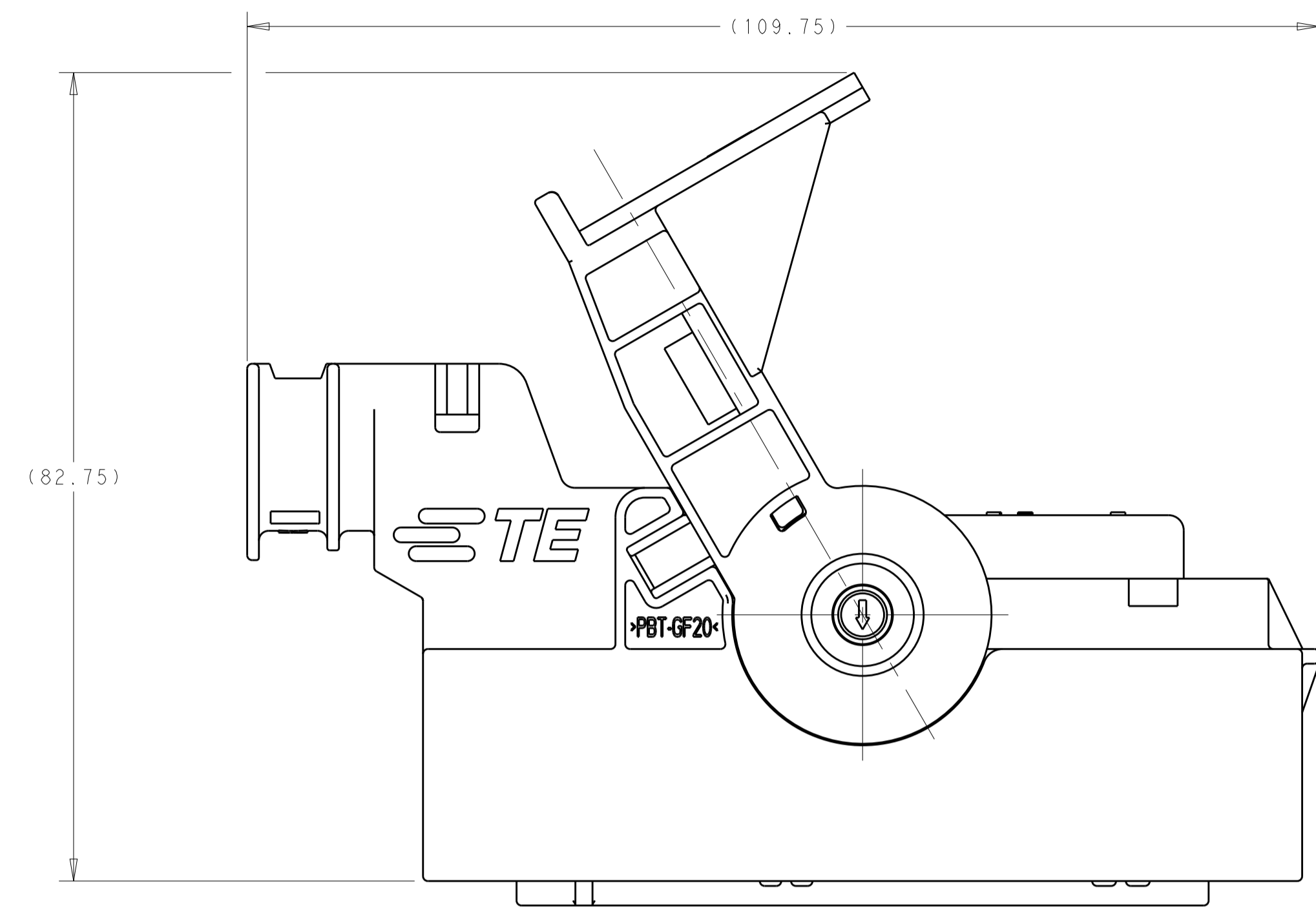
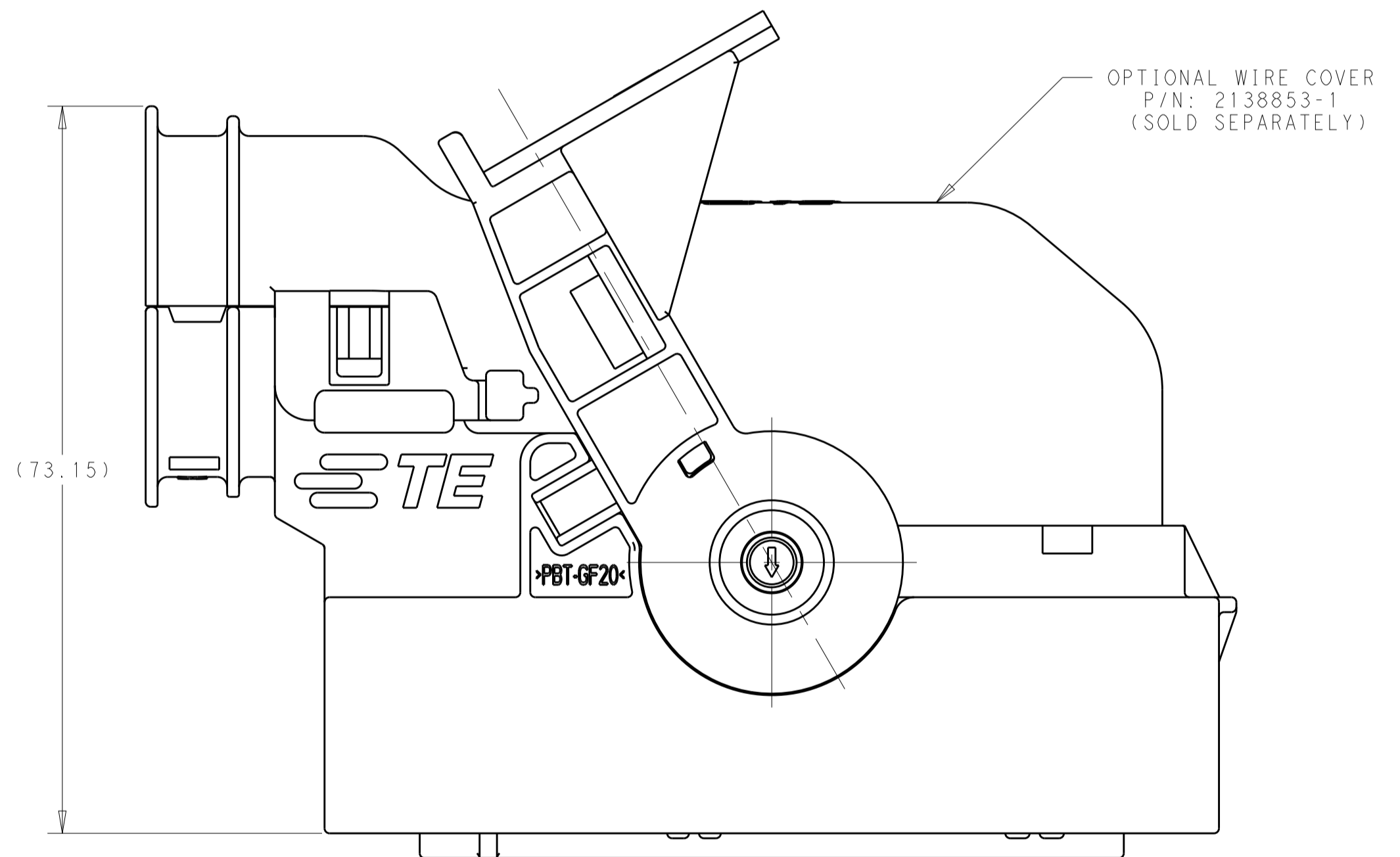


2138839-1 SHOWN
 LEVER SHOWN IN CLOSED
 (AS SHIPPED) POSITION

REVISIONS					
P.	LTN.	DESCRIPTION	DATE	DWN.	APVD.
A		RELEASED PER ECO-13-013884	29AUG2013	RGV	RN
A1		REVISED PER ECO-14-012597	18AUG2014	DD	RN
B		REVISED PER ECO-15-004715	27MAR2015	JM	RN



LEVER SHOWN IN OPEN POSITION



LEVER SHOWN IN OPEN POSITION
 WITH OPTIONAL WIRE COVER

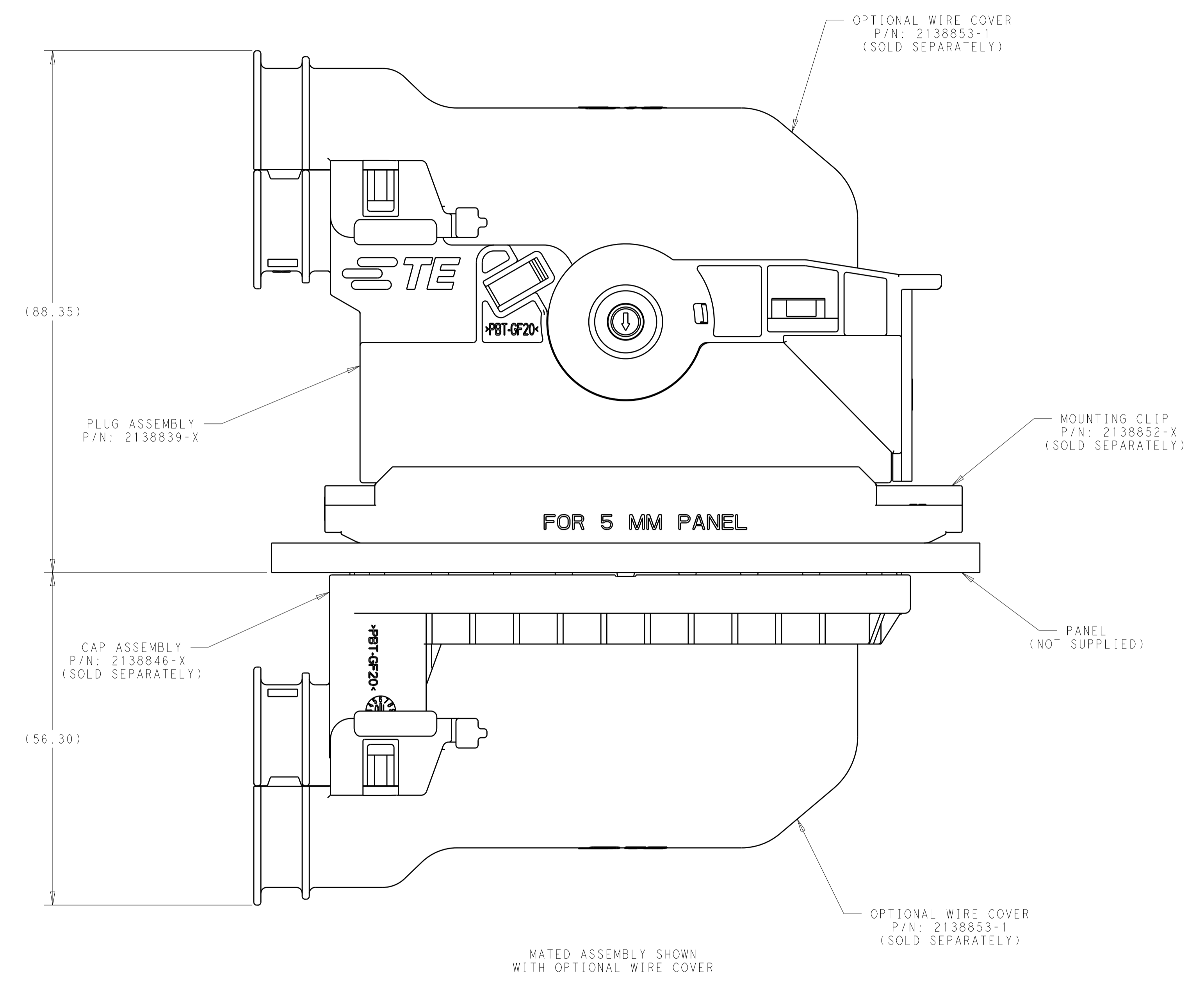
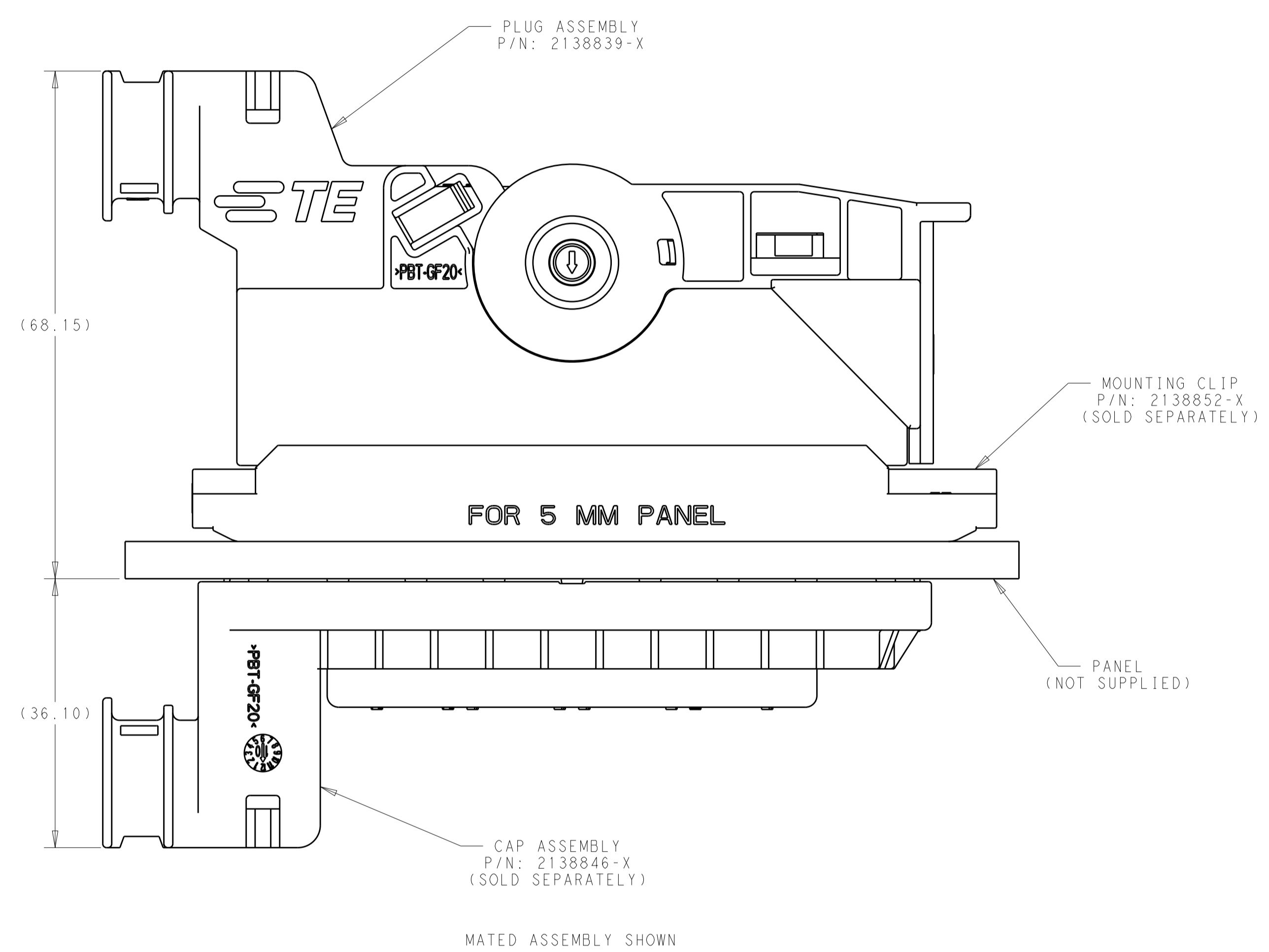
1. MATING PART: TE P/N 2138846-X.
2. DESIGNED FOR CORRUGATED TUBE NW26.
3. TPA SHOWN IN PRE-STAGED (AS SHIPPED) POSITION.
4. KEY MARKING IN APPROXIMATE AREA SHOWN.
5. ASSEMBLY P/N AND DATE CODE MARKED IN APPROXIMATE AREA SHOWN. SEE TABLE FOR P/N TO KEY RELATIONSHIP.
6. SEE TABLE FOR PLUG HOUSING COLOR TO KEY RELATIONSHIP.

(4) SIZE 12: 2.82 MIN, 4.09 MAX (24) SIZE 16: 1.68 MIN, 2.77 MAX	28 POSITIONS TOTAL (4) SIZE 12 (24) SIZE 16	KEY B	BROWN	2138839-2
		KEY A	BLACK	2138839-1
WIRE DIA.	DESCRIPTION	KEY 4	HSG. COLOR 6	PART NO 5

THIS DRAWING IS A CONTROLLED DOCUMENT.

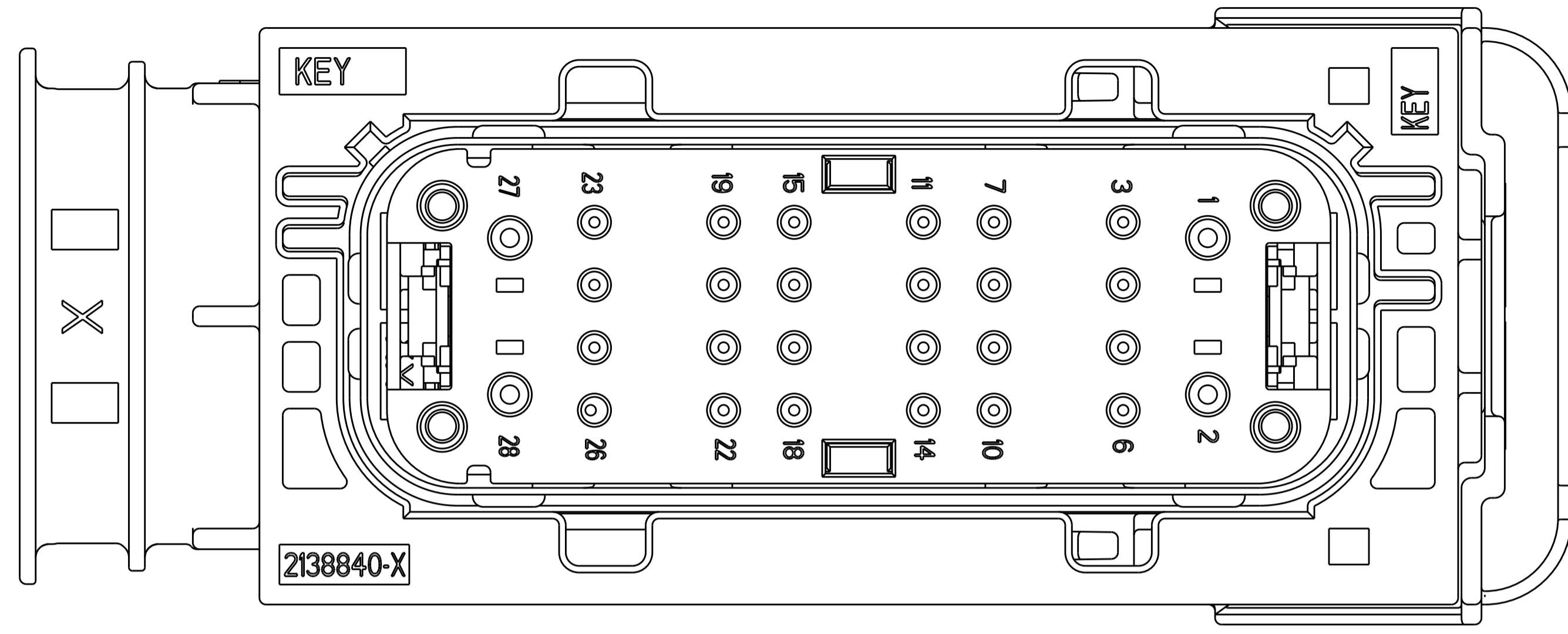
DIMENSIONS:	TOLERANCES UNLESS OTHERWISE SPECIFIED:	DWN R. VESTAL 13JAN2012	CHK R. NARANG 30JAN2012	APVD D. KLEIN 30JAN2012
mm	0 PLC ± 1 PLC ± 2 PLC ± 3 PLC ± 4 PLC ± ANGLES ±1*	NAME: PLUG ASSEMBLY, AMPSEAL 16 HYBRID LEVER		
MATERIAL	FINISH	PRODUCT SPEC: 108-32036	APPLICATION SPEC: 114-32117	RESTRICTED TO: A 100779 C=2138839
SEE TABLE	SEE TABLE	WEIGHT	CUSTOMER DRAWING	SCALE 2:1 SHEET 1 OF 3 REV B

REVISIONS				
P.	LTN	DESCRIPTION	DATE	OWN APVD
-	-	SEE SHEET 1	-	-

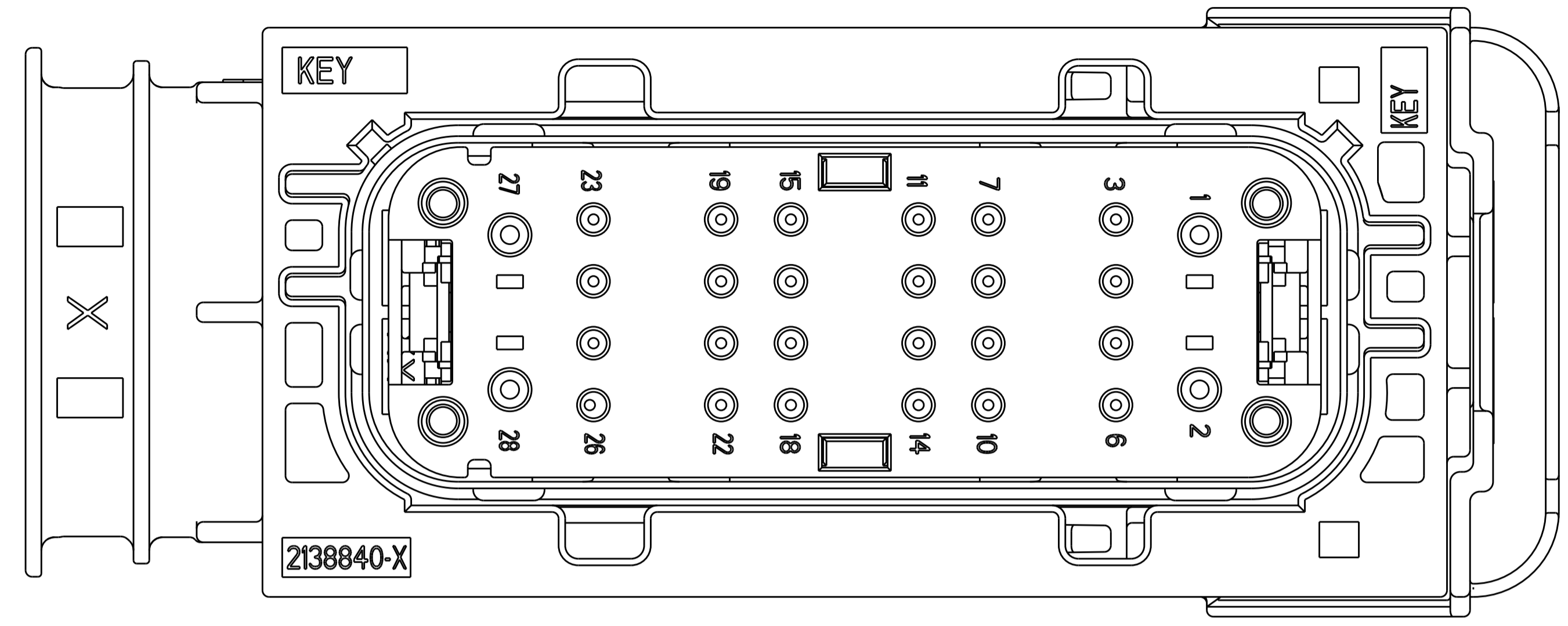


THIS DRAWING IS A CONTROLLED DOCUMENT.		OWN R. VESTAL 13JAN2012	TE Connectivity
DIMENSIONS: mm		CHK R. NARANG 30JAN2012	
TOLERANCES UNLESS OTHERWISE SPECIFIED:		APVD D. KLEIN 30JAN2012	NAME PLUG ASSEMBLY, AMPSEAL 16 HYBRID LEVER
0 PLC ±	1 PLC ±	PRODUCT SPEC	SIZE 108-32036
2 PLC ±	3 PLC ±	APPLICATION SPEC	RESTRICTED TO
4 PLC ±	ANGLES ±1°	WEIGHT	A100779C=2138839
MATERIAL SEE TABLE	FINISH SEE TABLE	CUSTOMER DRAWING	SCALE 2:1 SHEET 2 OF 3 REV B

REVISIONS				
P.	LTN	DESCRIPTION	DATE	APVD
-	-	SEE SHEET 1	-	-



SCALE 3:1
 2138839-1, KEY A SHOWN



SCALE 3:1
 2138839-2, KEY B SHOWN

THIS DRAWING IS A CONTROLLED DOCUMENT.		DWN R. VESTAL 13JAN2012 CHK R. NARANG 30JAN2012 APVD D. KLEIN 30JAN2012	
DIMENSIONS: mm 	TOLERANCES UNLESS OTHERWISE SPECIFIED: 0 PLC ± 1 PLC ± 2 PLC ± 3 PLC ± 4 PLC ± ANGLES ±1° FINISH	NAME PLUG ASSEMBLY, AMPSEAL 16 HYBRID LEVER	
MATERIAL	SEE TABLE	PRODUCT SPEC 108-32036 APPLICATION SPEC 114-32117 WEIGHT	SIZE CAGE CODE DRAWING NO A100779C=2138839
SEE TABLE		CUSTOMER DRAWING	RESTRICTED TO SCALE 2:1 SHEET 3 OF 3 REV B

X-ON Electronics

Largest Supplier of Electrical and Electronic Components

Click to view similar products for [Automotive Connectors](#) category:

Click to view products by [TE Connectivity](#) manufacturer:

Other Similar products are found below :

[003-018-000](#) [60403001](#) [60993906-B](#) [M902-2131](#) [M902-2161](#) [M902-2344](#) [72.330.1035.1](#) [73.353.4028.0](#) [F119300-B](#) [F166900](#) [F258300-B](#)
[F358300-B](#) [F407400](#) [F444110](#) [F487000](#) [F509500B-B](#) [827153-1](#) [8N1515-32-24P](#) [9-1326729-8](#) [925474-1](#) [928905-1](#) [964562-4](#) [968782-1](#)
[GT17SA-8DS-HU](#) [98891-1012](#) [98947-1016](#) [12004147](#) [12004475-L](#) [12010290](#) [12015454](#) [12020219-B](#) [12041318-B](#) [12052225-L](#) [12052466](#)
[12064869](#) [12004327-B](#) [12015308](#) [12015384](#) [12015909](#) [1-21030-1](#) [12041254](#) [12041318](#) [12047946-B](#) [12047957](#) [12047957-L](#) [12059473](#)
[12066261](#) [12110546](#) [12110546-B](#) [12131792](#)