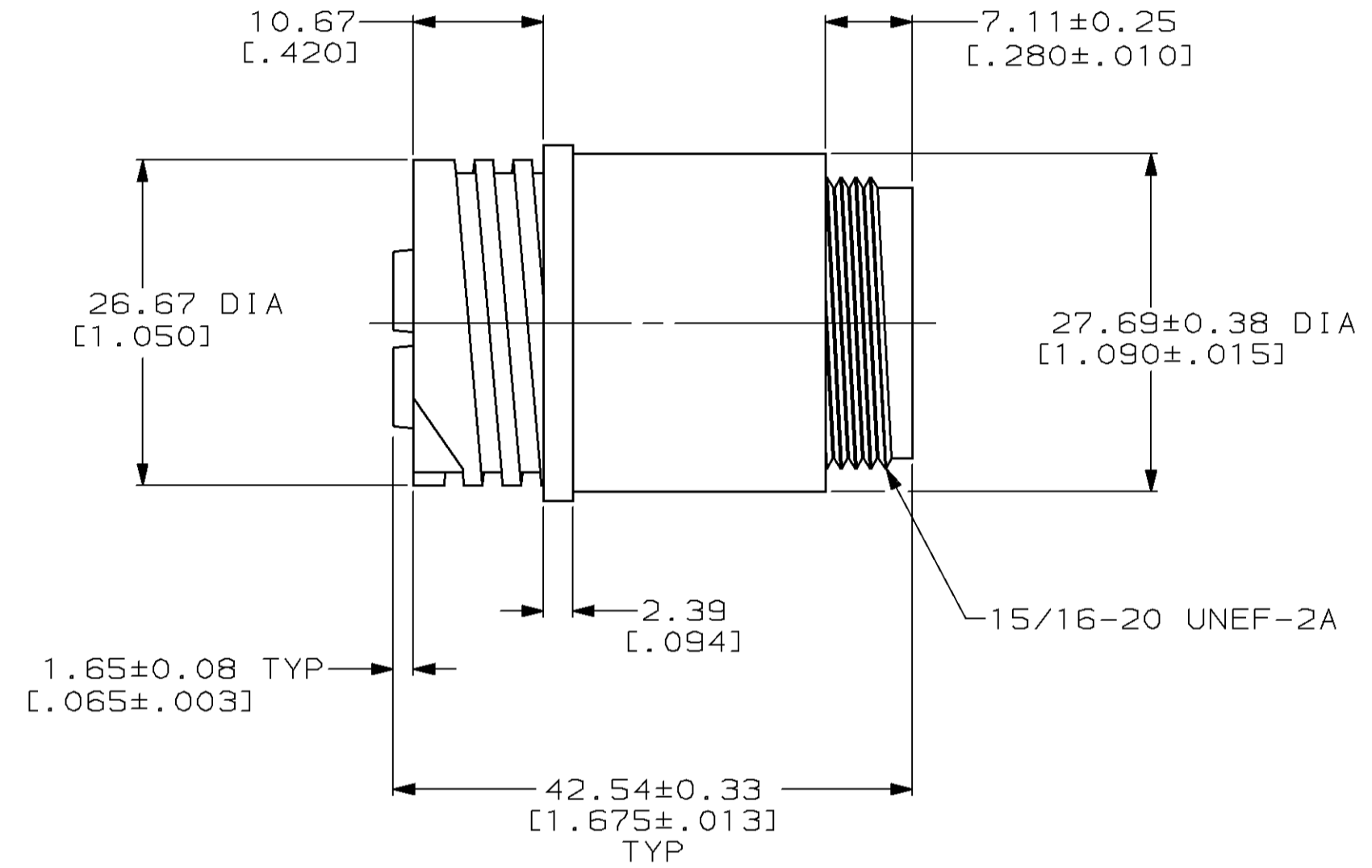
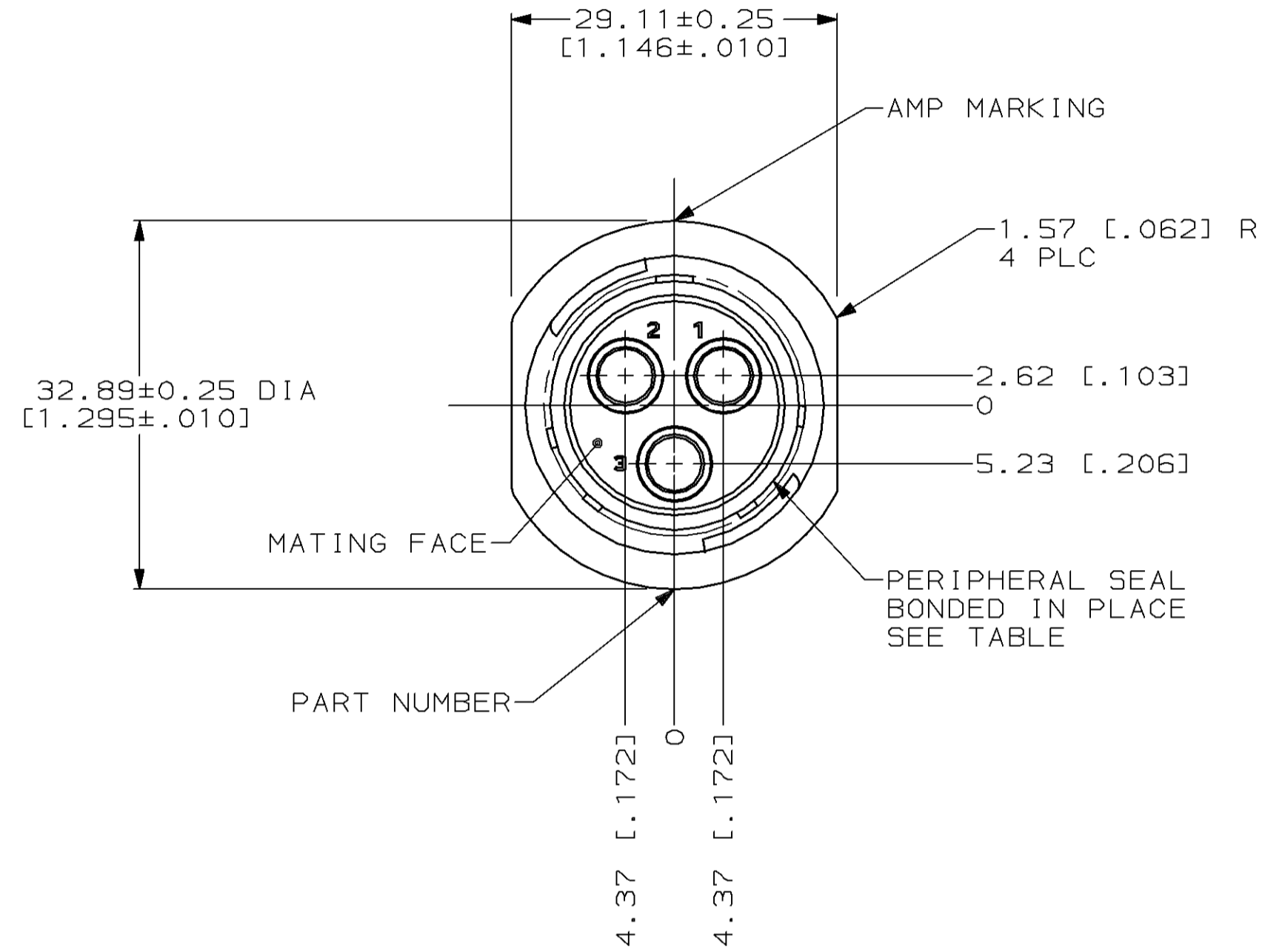


THIS DRAWING IS UNPUBLISHED. RELEASED FOR PUBLICATION
 BY AMP INCORPORATED. ALL RIGHTS RESERVED.

| LOC | DIST | REVISIONS | | | | | |
|-----|------|-----------|-----|---|-----------|-----|------|
| | | P | LTR | DESCRIPTION | DATE | DWN | APVD |
| BD | 35 | | | RELEASED -1 PER NPR 5365, WAS 95-7970-19 | 06/23/95 | - | - |
| | | A | | ADDED -2 AND REVISED PER EC 0020-900-95 | 15 SEP 95 | DH | AF |



| | |
|-----------------|-------------|
| YES | 213890-2 |
| NO | 213890-1 |
| PERIPHERAL SEAL | PART NUMBER |

| | | | |
|---|--|-------------------------------|---|
| THIS DRAWING IS A CONTROLLED DOCUMENT FOR AMP INCORPORATED. IT IS SUBJECT TO CHANGE AND THE CONTROLLING ENGINEERING ORGANIZATION SHOULD BE CONTACTED FOR THE LATEST REVISION. | | DWN D.HARDY 06/23/95 | AMP Incorporated Harrisburg, PA 17105-3608 |
| DIMENSIONS: mm [INCHES] | | CHK R.STONE 06/29/95 | |
| TOLERANCES UNLESS OTHERWISE SPECIFIED: | | APVD A.FRANTUM 06/29/95 | NAME RECEPTACLE HOUSING, REVERSE SEX, SERIES 5, 17-3, CIRCULAR PLASTIC CONNECTOR |
| 0 PLC ±- 1 PLC ±- 2 PLC ±0.13 [.005] 3 PLC ±- 4 PLC ±- ANGLES ±- FINISH - | | PRODUCT SPEC 108-1579 | SIZE A2 |
| MATERIAL NYLON, BLACK | | APPLICATION SPEC - | CAGE CODE 00779 |
| | | WEIGHT - | DRAWING NO C-213890 |
| | | CUSTOMER DRAWING | SCALE 2:1 |
| | | | SHEET 1 OF 1 |
| | | | REV A |

213890

X-ON Electronics

Largest Supplier of Electrical and Electronic Components

Click to view similar products for [Standard Circular Connector](#) category:

Click to view products by [TE Connectivity](#) manufacturer:

Other Similar products are found below :

[5M2530B10P](#) [600259N006](#) [600273N007](#) [6134-336-13149](#) [6134-337-11149](#) [6134-337-2390](#) [6134-341-17149](#) [6280-4SG-516](#) [6280-7SG-3DC](#)
[6290](#) [6291A](#) [66200A-10](#) [680-SMG](#) [681-PMG](#) [CXS3102A14S2P](#) [CXS3102A181S](#) [7271-6SG-300](#) [7282-3PG-300-CH3](#) [75-474014-05S](#) [75-](#)
[474618-01S](#) [75-474618-04P](#) [75-474618-04S](#) [799539-000](#) [MI8-SE](#) [805-005-07NF11-19PC](#) [805-005-07NF15-7PA](#) [8280-4PG-516](#) [8280-7PG-](#)
[519](#) [8282-5PG-519](#) [836783-1](#) [MP-4102-25P-C](#) [862256-1](#) [864019-2](#) [866857-1](#) [867865-1](#) [PT01SP-14-18P](#) [PT08P-14-5S](#) [120-1833-000](#)
[QCM019PC2DC012B](#) [1-2069279-1](#) [121583-0217](#) [121667-0020](#) [129591AU](#) [1000B BULK](#) [RD10A16-19-P6CS051/1](#) [RD10A20-31-](#)
[P8CS051/1](#) [RD16A14-12-S6CS051/2](#) [1301240290](#) [1301240347](#) [1301860202](#) [1301240268](#)