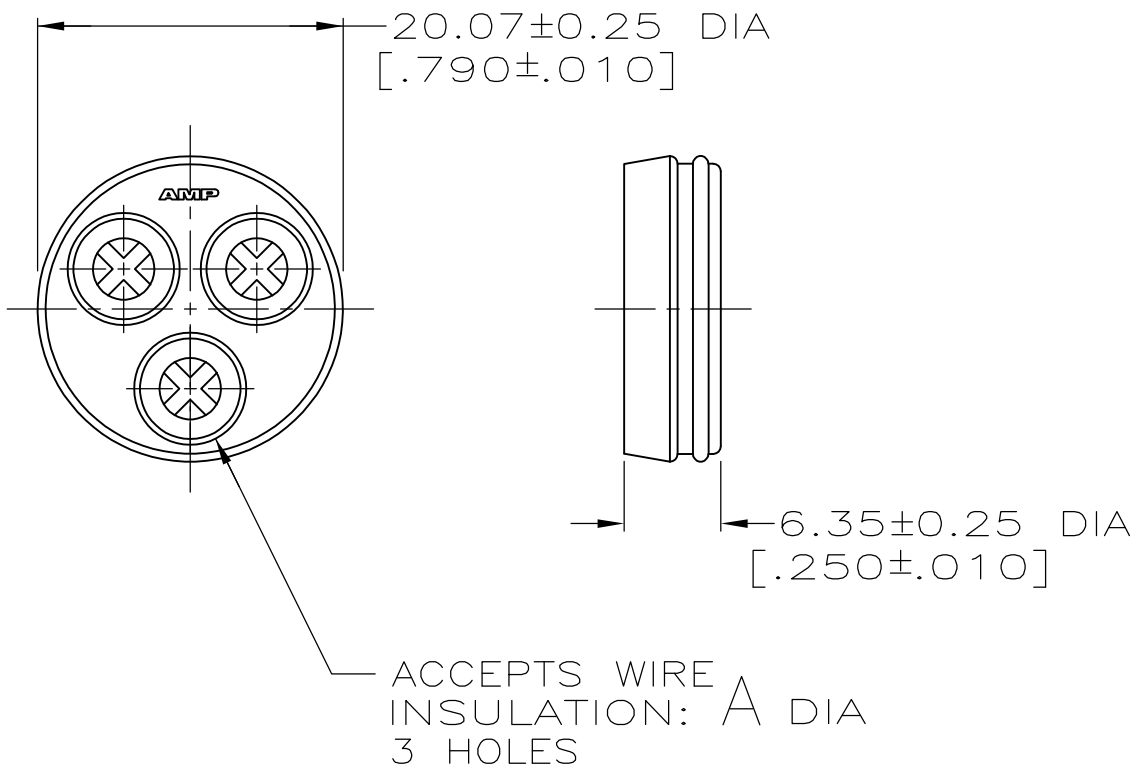
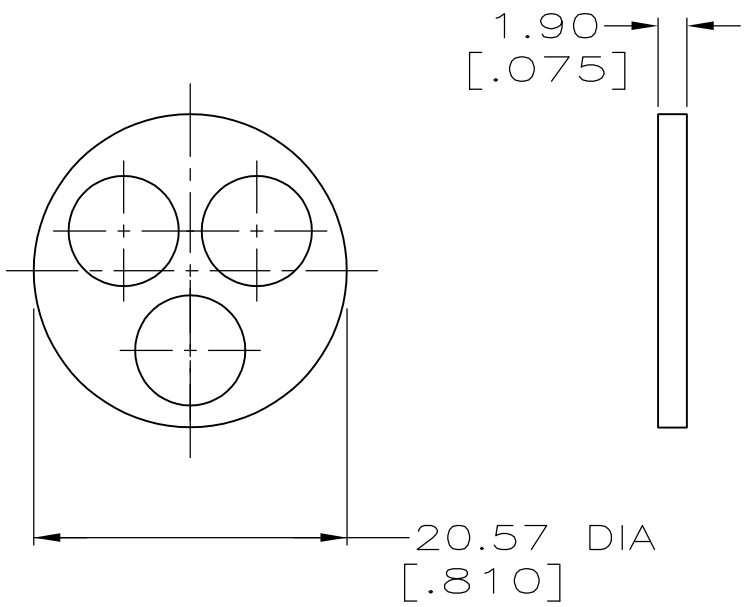


THIS DRAWING IS UNPUBLISHED. RELEASED FOR PUBLICATION
 © COPYRIGHT - By - ALL RIGHTS RESERVED.

REVISIONS				
P	LTR	DESCRIPTION	DATE	APVD
	C2	REVISED PER ECO-16-004800	08SEP2016	NK MZ




SEAL MATERIAL: SILICON, RED IRON OXIDE
 QTY=1



PRESSURE PLATE MATERIAL: NYLON, BLACK
 QTY=1

1 OBSOLETE PARTS: OBSOLETE CIS STREAMLINING PER D.RENAUD/D.SINISI

1	OBSOLETE	INDIVIDUAL	2.41-5.21 [.095-.205]	213899-5
	OBSOLETE	-	-	213899-4
	OBSOLETE	-	-	213899-3
	OBSOLETE	BULK	3.81-6.73 [.150-.265]	213899-2
		INDIVIDUAL	3.81-6.73 [.150-.265]	213899-1
		PACKAGING	A	PART NUMBER

THIS DRAWING IS A CONTROLLED DOCUMENT.		DWN D.HARDY 07/12/95	 TE Connectivity		
DIMENSIONS: mm [INCHES]		CHK R.STONE 07/13/95			
TOLERANCES UNLESS OTHERWISE SPECIFIED:		APVD A.FRANTUM 07/13/95	NAME SEAL ASSEMBLY KIT, SERIES 5, 17-3, CPC		
0 PLC ± - 1 PLC ± - 2 PLC ± 0.13 [.005] 3 PLC ± - 4 PLC ± - ANGLES ± -		PRODUCT SPEC 108-1579	RESTRICTED TO		
MATERIAL SEE CALLOUTS		FINISH -	APPLICATION SPEC -	SIZE A3	CAGE CODE 00779
		WEIGHT	DRAWING NO C-213899	RESTRICTED TO -	
CUSTOMER DRAWING			SCALE 2:1	SHEET 1 OF 1	REV C2

X-ON Electronics

Largest Supplier of Electrical and Electronic Components

Click to view similar products for [Standard Circular Connector](#) category:

Click to view products by [TE Connectivity](#) manufacturer:

Other Similar products are found below :

[5M2530B10P](#) [600259N006](#) [600273N007](#) [6134-336-13149](#) [6134-337-11149](#) [6134-337-2390](#) [6134-341-17149](#) [6280-4SG-516](#) [6280-7SG-3DC6290](#) [6291A](#) [66200A-10](#) [680-SMG](#) [681-PMG](#) [CXS3102A14S2P](#) [CXS3102A181S](#) [7251-5SG-300](#) [7271-6SG-300](#) [7282-3PG-300-CH3](#) [75-474618-01S](#) [75-474618-04P](#) [75-474618-04S](#) [799539-000](#) [MI8-SE](#) [805-005-07NF11-19PC](#) [805-005-07NF15-7PA](#) [8280-4PG-516](#) [8280-7PG-519](#) [8282-5PG-519](#) [836783-1](#) [MP-4102-25P-C](#) [862256-1](#) [864019-2](#) [866857-1](#) [867865-1](#) [PT01SP-14-18P](#) [PT08P-14-5S](#) [PTSF06SE-14-12S120-1833-000](#) [QCM019PC2DC012B](#) [1-2069279-1](#) [121583-0217](#) [121667-0020](#) [129591AU](#) [1000B BULK](#) [RD10A16-19-P6CS051/1](#)
[RD10A20-31-P8CS051/1](#) [RD16A14-12-S6CS051/2](#) [1301240290](#) [1301240347](#) [1301860202](#)