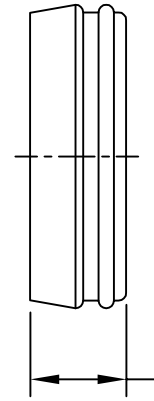
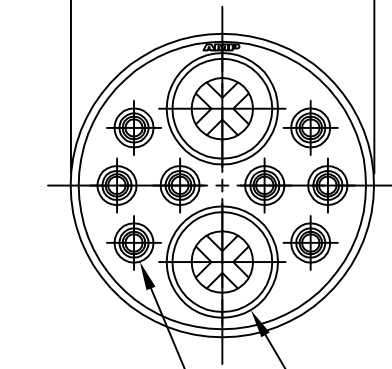


REVISIONS

P	LTR	DESCRIPTION	DATE	DWN	APVD
	C1	REVISED PER ECO-09-020689	27AUG09	KK	AEG
	D	REVISED PER ECO-18-000963	22JAN2018	RS	MZ

∅20.07±0.25
[∅.790±.010]



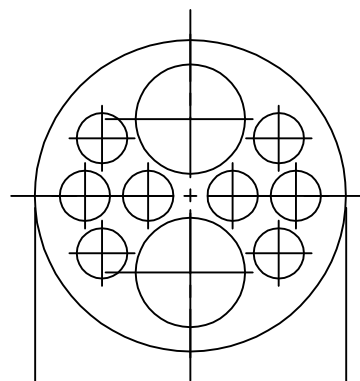
∅6.35±0.25
[∅.250±.010]

ACCEPTS WIRE
INSULATION: ∅A
2 HOLES

ACCEPTS WIRE
INSULATION: ∅1.90[.075] TO ∅2.54[.100]
8 HOLES

SEAL
MATERIAL: SILICON, RED IRON OXIDE
QTY=1

1.90
[.075]



∅20.57
[∅.810]

PRESSURE PLATE
MATERIAL: NYLON, BLACK
QTY=1



OBSOLETE PARTS: OBSOLETE CIS STREAMLINING PER
D.RENAUD/D.SINISI



OBSOLETE	INDIVIDUAL	2.41-5.21 [.095-.205]	213900-5
OBSOLETE	-	-	213900-4
OBSOLETE	-	-	213900-3
	BULK	3.81-6.73 [.150-.265]	213900-2
	INDIVIDUAL	3.81-6.73 [.150-.265]	213900-1
	PACKAGING	A	PART NUMBER

THIS DRAWING IS A CONTROLLED DOCUMENT.

DWN D.HARDY 07/12/95

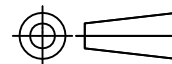
CHK R.STONE 07/13/95

APVD A.FRANTUM 07/13/95

STE TE Connectivity Ltd.

DIMENSIONS:
mm [INCHES]

TOLERANCES UNLESS
OTHERWISE SPECIFIED:



0 PLC	± -
1 PLC	± -
2 PLC	± 0.13 [.005]
3 PLC	± -
4 PLC	± -
ANGLES	± -

MATERIAL

SEE CALLOUTS

FINISH

-

PRODUCT SPEC
108-1579

APPLICATION SPEC

WEIGHT

-

CUSTOMER DRAWING

NAME

SEAL ASSEMBLY KIT,
SERIES 6, 17-10, CPC

SIZE

A3

CAGE CODE

00779

DRAWING NO

C=213900

RESTRICTED TO

-

SCALE

2:1

SHEET

1 OF 1

REV

D

X-ON Electronics

Largest Supplier of Electrical and Electronic Components

Click to view similar products for [Standard Circular Connector](#) category:

Click to view products by [TE Connectivity](#) manufacturer:

Other Similar products are found below :

[5M2530B10P](#) [600259N006](#) [600273N007](#) [6134-336-13149](#) [6134-337-11149](#) [6134-337-2390](#) [6134-341-17149](#) [6280-4SG-516](#) [6280-7SG-3DC](#)
[6290](#) [6291A](#) [66200A-10](#) [680-SMG](#) [681-PMG](#) [CXS3102A14S2P](#) [CXS3102A181S](#) [7251-5SG-300](#) [7271-6SG-300](#) [7282-3PG-300-CH3](#) [75-](#)
[474618-01S](#) [75-474618-04P](#) [75-474618-04S](#) [799539-000](#) [MI8-SE](#) [805-005-07NF11-19PC](#) [805-005-07NF15-7PA](#) [8280-4PG-516](#) [8280-7PG-](#)
[519](#) [8282-5PG-519](#) [836783-1](#) [MP-4102-25P-C](#) [862256-1](#) [864019-2](#) [866857-1](#) [867865-1](#) [PT01SP-14-18P](#) [PT08P-14-5S](#) [PTSF06SE-14-12S](#)
[120-1833-000](#) [QCM019PC2DC012B](#) [1-2069279-1](#) [121583-0217](#) [121667-0020](#) [129591AU](#) [1000B BULK](#) [RD10A16-19-P6CS051/1](#)
[RD10A20-31-P8CS051/1](#) [RD16A14-12-S6CS051/2](#) [1301240290](#) [1301240347](#) [1301860202](#)