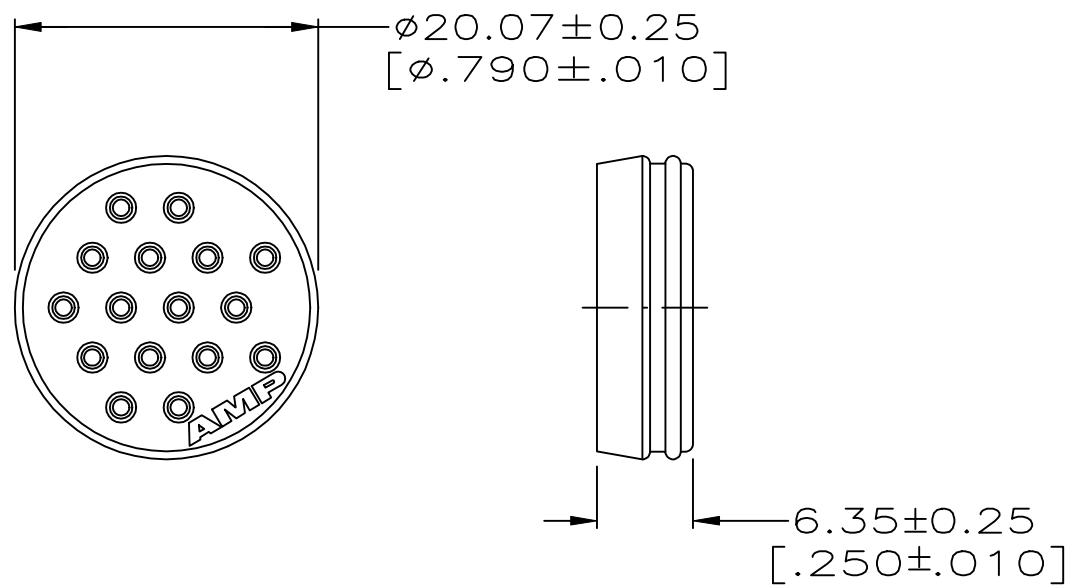
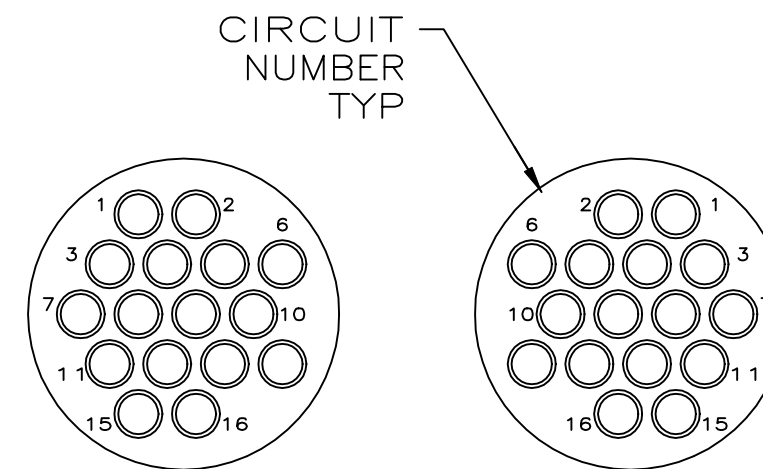


REVISIONS

P	LTR	DESCRIPTION	DATE	DWN	APVD
C		REV PER EC 0320-144-97	05MAY97	CO	AF
D		REV PER ECR-18-000581	23JAN2018	RS	MZ



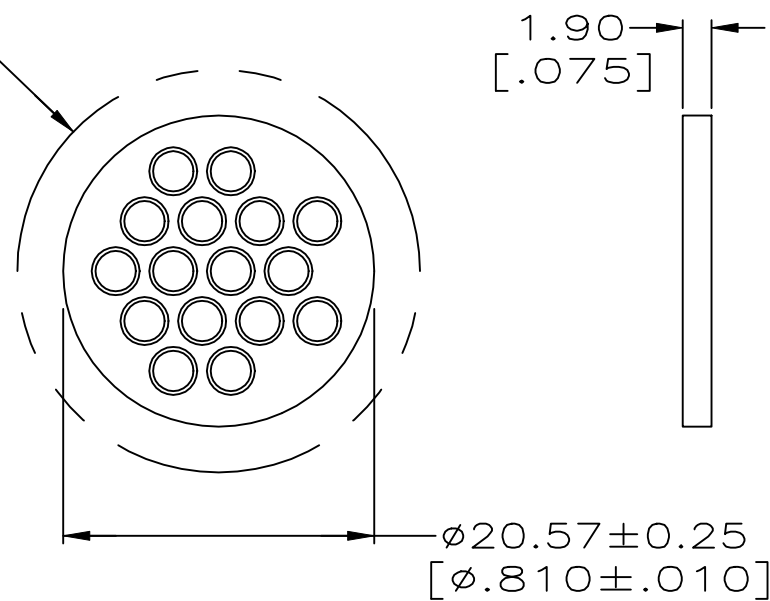
SEAL
MATERIAL: SILICON, RED IRON OXIDE
QTY=1



DETAIL A

DETAIL B


SEE TABLE
FOR CAVITY
IDENTIFICATION
DETAIL



PRESSURE PLATE
MATERIAL: NYLON, BLACK
QTY=1

1. DETAIL "A" FOR USE WITH SOCKET CONTACTS.
2. DETAIL "B" FOR USE WITH PIN CONTACTS.
3. INSULATION RANGE: $\phi 1.90$ [$\phi .075$] TO $\phi 2.54$ [$\phi .100$]

PER DETAIL B	213920-2
PER DETAIL A	213920-1
CAVITY IDENT	PART NUMBER

THIS DRAWING IS A CONTROLLED DOCUMENT.		DWN W.G.LENKER 09 OCT 95	 TE Connectivity Ltd.														
DIMENSIONS: mm [INCHES]		CHK R.STONE 11 OCT 95															
TOLERANCES UNLESS OTHERWISE SPECIFIED:		APVD A.FRANTUM 11 OCT 95	NAME														
<table border="0"> <tr> <td>0 PLC</td> <td>± -</td> </tr> <tr> <td>1 PLC</td> <td>± -</td> </tr> <tr> <td>2 PLC</td> <td>± 0.13 [.005]</td> </tr> <tr> <td>3 PLC</td> <td>± -</td> </tr> <tr> <td>4 PLC</td> <td>± -</td> </tr> <tr> <td>ANGLES</td> <td>± -</td> </tr> </table>		0 PLC	± -	1 PLC	± -	2 PLC	± 0.13 [.005]	3 PLC	± -	4 PLC	± -	ANGLES	± -	PRODUCT SPEC 108-1579	WIRE ENTRY SEAL KIT, UNASSEMBLED, SIZE 17-16, CPC		
0 PLC	± -																
1 PLC	± -																
2 PLC	± 0.13 [.005]																
3 PLC	± -																
4 PLC	± -																
ANGLES	± -																
MATERIAL SEE CALLOUTS		FINISH -	APPLICATION SPEC -	SIZE A3	CAGE CODE 00779												
		WEIGHT	DRAWING NO C=213920	RESTRICTED TO -													
CUSTOMER DRAWING			SCALE 2:1	SHEET 1 OF 1	REV D												

X-ON Electronics

Largest Supplier of Electrical and Electronic Components

Click to view similar products for [Standard Circular Connector](#) category:

Click to view products by [TE Connectivity](#) manufacturer:

Other Similar products are found below :

[5M2530B10P](#) [600259N006](#) [600273N007](#) [6134-336-13149](#) [6134-337-11149](#) [6134-337-2390](#) [6134-341-17149](#) [6280-4SG-516](#) [6280-7SG-3DC](#)
[6290](#) [6291A](#) [66200A-10](#) [680-SMG](#) [681-PMG](#) [CXS3102A14S2P](#) [CXS3102A181S](#) [7251-5SG-300](#) [7271-6SG-300](#) [7282-3PG-300-CH3](#) [75-](#)
[474618-01S](#) [75-474618-04P](#) [75-474618-04S](#) [799539-000](#) [MI8-SE](#) [805-005-07NF11-19PC](#) [805-005-07NF15-7PA](#) [8280-4PG-516](#) [8280-7PG-](#)
[519](#) [8282-5PG-519](#) [836783-1](#) [MP-4102-25P-C](#) [862256-1](#) [864019-2](#) [866857-1](#) [867865-1](#) [PT01SP-14-18P](#) [PT08P-14-5S](#) [PTSF06SE-14-12S](#)
[120-1833-000](#) [QCM019PC2DC012B](#) [1-2069279-1](#) [121583-0217](#) [121667-0020](#) [129591AU](#) [1000B BULK](#) [RD10A16-19-P6CS051/1](#)
[RD10A20-31-P8CS051/1](#) [RD16A14-12-S6CS051/2](#) [1301240290](#) [1301240347](#) [1301860202](#)