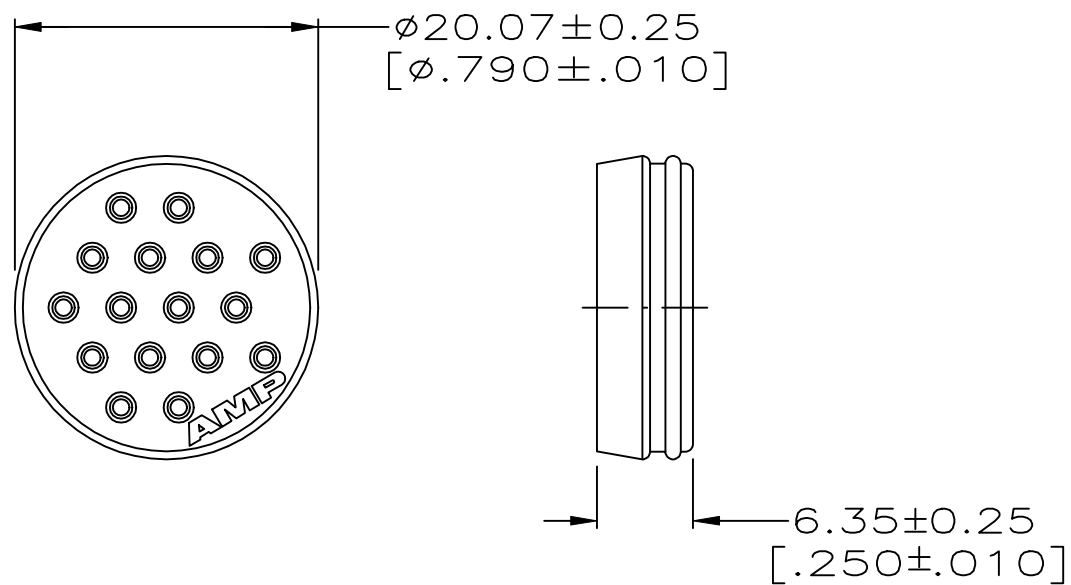
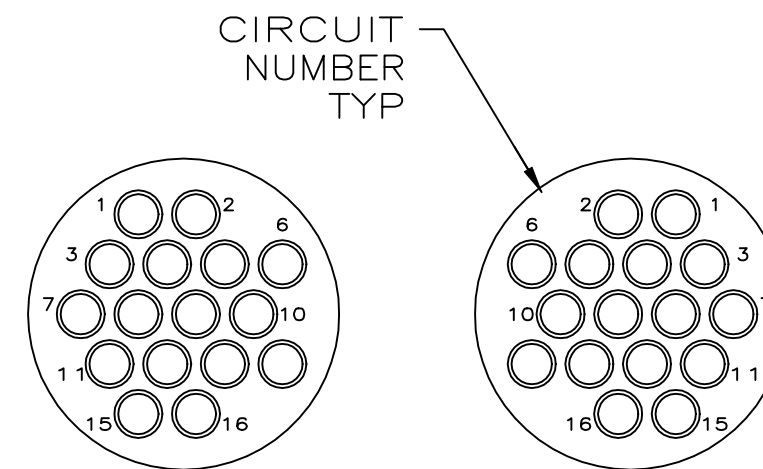


REVISIONS

P	LTR	DESCRIPTION	DATE	DWN	APVD
C		REV PER EC 0320-144-97	05MAY97	CO	AF
D		REV PER ECR-18-000581	23JAN2018	RS	MZ



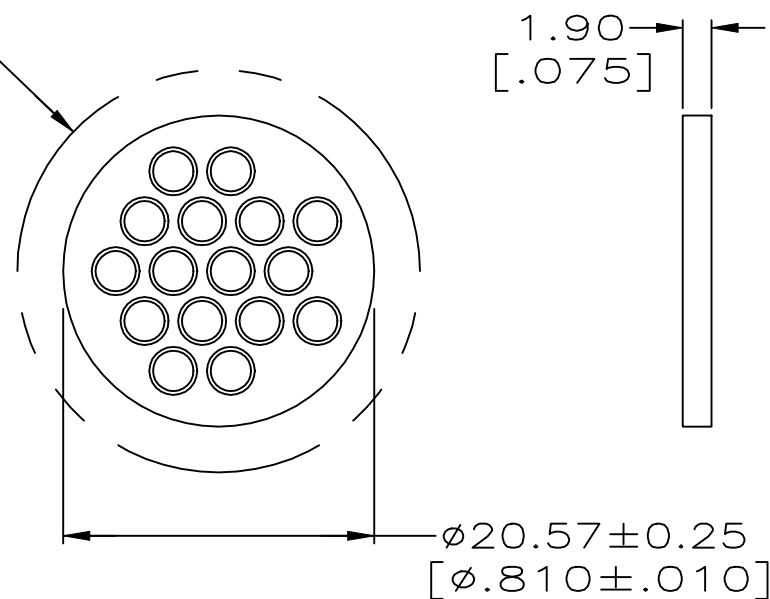
SEAL  
MATERIAL: SILICON, RED IRON OXIDE  
QTY=1



DETAIL A

DETAIL B


SEE TABLE  
FOR CAVITY  
IDENTIFICATION  
DETAIL



PRESSURE PLATE  
MATERIAL: NYLON, BLACK  
QTY=1

1. DETAIL "A" FOR USE WITH SOCKET CONTACTS.
2. DETAIL "B" FOR USE WITH PIN CONTACTS.
3. INSULATION RANGE:  $\phi 1.90$  [ $\phi .075$ ] TO  $\phi 2.54$  [ $\phi .100$ ]

PER DETAIL B	213920-2
PER DETAIL A	213920-1
CAVITY IDENT	PART NUMBER

THIS DRAWING IS A CONTROLLED DOCUMENT.		DWN W.G.LENKER 09 OCT 95	 TE Connectivity Ltd.				
DIMENSIONS: mm [INCHES]		CHK R.STONE 11 OCT 95					
TOLERANCES UNLESS OTHERWISE SPECIFIED:		APVD A.FRANTUM 11 OCT 95	NAME				
0 PLC ± - 1 PLC ± - 2 PLC ± 0.13 [.005] 3 PLC ± - 4 PLC ± - ANGLES ± -		PRODUCT SPEC 108-1579	WIRE ENTRY SEAL KIT, UNASSEMBLED, SIZE 17-16, CPC				
MATERIAL SEE CALLOUTS		FINISH -	APPLICATION SPEC -	SIZE A3	CAGE CODE 00779	DRAWING NO C=213920	RESTRICTED TO -
CUSTOMER DRAWING			WEIGHT	SCALE 2:1	SHEET 1 OF 1	REV D	

## X-ON Electronics

Largest Supplier of Electrical and Electronic Components

*Click to view similar products for [Standard Circular Connector](#) category:*

*Click to view products by [TE Connectivity](#) manufacturer:*

Other Similar products are found below :

[5M2530B10P](#) [600259N006](#) [600273N007](#) [6134-336-13149](#) [6134-337-11149](#) [6134-337-2390](#) [6134-341-17149](#) [6280-4SG-516](#) [6280-7SG-3DC](#)  
[6290](#) [6291A](#) [66200A-10](#) [680-SMG](#) [681-PMG](#) [CXS3102A14S2P](#) [CXS3102A181S](#) [7271-6SG-300](#) [7282-3PG-300-CH3](#) [75-474618-01S](#) [75-](#)  
[474618-04P](#) [75-474618-04S](#) [799539-000](#) [MI8-SE](#) [805-005-07NF11-19PC](#) [805-005-07NF15-7PA](#) [8280-4PG-516](#) [8280-7PG-519](#) [8282-5PG-](#)  
[519](#) [836783-1](#) [MP-4102-25P-C](#) [862256-1](#) [864019-2](#) [866857-1](#) [867865-1](#) [PT01SP-14-18P](#) [PT08P-14-5S](#) [120-1833-000](#)  
[QCM019PC2DC012B](#) [1-2069279-1](#) [121583-0217](#) [121667-0020](#) [129591AU](#) [1000B BULK](#) [RD10A16-19-P6CS051/1](#) [RD10A20-31-](#)  
[P8CS051/1](#) [RD16A14-12-S6CS051/2](#) [1301240290](#) [1301240347](#) [1301860202](#) [1301240268](#) [1301240275](#)