

KUL-11A15S-24 ✓ ACTIVE

Potter & Brumfield | Potter & Brumfield KUL

TE Internal #: 2-1393115-7

Potter & Brumfield KUL, Power Relays, Industrial Panel Plug-In, Bistable, 1 Coil, 176Ω Coil Resistance, Magnetic Latching, 24VAC Coil Voltage Rating

[View on TE.com >](#)



Relays, Contactors & Switches > Relays > Power Relays



Power Relay Type: **Industrial Panel Plug-In**

Coil Magnetic System: **Bistable, 1 Coil**

Coil Resistance: **176 Ω**

Coil Special Features: **Magnetic Latching**

Coil Voltage Rating: **24 VAC**

Features

Product Type Features

| | |
|------------------|--------------------------|
| Power Relay Type | Industrial Panel Plug-In |
|------------------|--------------------------|

Electrical Characteristics

| | |
|--|---------------|
| Insulation Initial Dielectric Between Coil & Contact Class | 1000 – 1500 V |
|--|---------------|

| | |
|---|-----------|
| Insulation Initial Dielectric Between Contacts & Coil | 1500 Vrms |
|---|-----------|

| | |
|------------------|----|
| Actuating System | AC |
|------------------|----|

| | |
|---|----------|
| Insulation Initial Dielectric Between Open Contacts | 500 Vrms |
|---|----------|

| | |
|---------------------------------|------|
| Contact Limiting Making Current | 10 A |
|---------------------------------|------|

| | |
|---|-----------|
| Insulation Initial Dielectric Between Adjacent Contacts | 1500 Vrms |
|---|-----------|

| | |
|-------------------------------|--------|
| Insulation Initial Resistance | 100 MΩ |
|-------------------------------|--------|

| | |
|----------------------|------------------|
| Coil Magnetic System | Bistable, 1 Coil |
|----------------------|------------------|

| | |
|-----------------|-------|
| Coil Resistance | 176 Ω |
|-----------------|-------|

| | |
|-----------------------|-------------------|
| Coil Special Features | Magnetic Latching |
|-----------------------|-------------------|

| | |
|---------------------|--------|
| Coil Voltage Rating | 24 VAC |
|---------------------|--------|

| | |
|------------------------------|-------------|
| Contact Switching Load (Min) | 300mA @ 12V |
|------------------------------|-------------|

| | |
|------------------------|---------|
| Contact Voltage Rating | 240 VAC |
|------------------------|---------|

Body Features

| | |
|----------------|----------------|
| Product Weight | 96 g[3.386 oz] |
|----------------|----------------|

Contact Features



| | |
|------------------------------|-----------------------|
| Contact Arrangement | 2 Form C (CO) |
| Contact Current Class | 5 – 10 A, 16 A |
| Contact Current Rating (Max) | 10 A |
| Contact Material | AgCdO |
| Contact Number of Poles | 2 |
| Terminal Type | Quick Connect, Solder |

Mechanical Attachment

| | |
|---------------------|--------|
| Relay Mounting Type | Socket |
|---------------------|--------|

Dimensions

| | |
|---------------------------|-------------------|
| Length Class (Mechanical) | 35 – 40 mm |
| Width Class (Mechanical) | 30 – 40 mm |
| Product Width | 35.7 mm[1.405 in] |
| Product Length | 38.9 mm[1.55 in] |
| Product Height | 54.8 mm[2.157 in] |

Usage Conditions

| | |
|---|---------------|
| Environmental Ambient Temperature Class | 50 – 70 °C |
| Environmental Ambient Temperature (Max) | 70 °C[158 °F] |
| Operating Temperature Range | -45 – 70 °C |

Packaging Features

| | |
|------------------|---------|
| Packaging Method | Package |
|------------------|---------|

Product Compliance

[For compliance documentation, visit the product page on TE.com>](#)

| | |
|---|--|
| EU RoHS Directive 2011/65/EU | Not Compliant |
| EU ELV Directive 2000/53/EC | Not Compliant |
| China RoHS 2 Directive MIIT Order No 32, 2016 | Restricted Materials Above Threshold |
| EU REACH Regulation (EC) No. 1907/2006 | Current ECHA Candidate List: JAN 2021 (211) Candidate List Declared Against: JAN 2021 (211) SVHC > Threshold: Cadmium oxide (5.1% in Component Part) Article Safe Usage Statements: Use personal protective equipment as required. Do not eat, drink or smoke when using this product. Recycle if possible and dispose of the article by following all applicable governmental regulations relevant to your geographic location. |
| Halogen Content | Low Halogen - Br, Cl, F, I < 900 ppm per |



homogenous material. Also BFR/CFR/PVC Free

Solder Process Capability

Not applicable for solder process capability

Product Compliance Disclaimer

This information is provided based on reasonable inquiry of our suppliers and represents our current actual knowledge based on the information they provided. This information is subject to change. The part numbers that TE has identified as EU RoHS compliant have a maximum concentration of 0.1% by weight in homogenous materials for lead, hexavalent chromium, mercury, PBB, PBDE, DBP, BBP, DEHP, DIBP, and 0.01% for cadmium, or qualify for an exemption to these limits as defined in the Annexes of Directive 2011/65/EU (RoHS2). Finished electrical and electronic equipment products will be CE marked as required by Directive 2011/65/EU. Components may not be CE marked. Additionally, the part numbers that TE has identified as EU ELV compliant have a maximum concentration of 0.1% by weight in homogenous materials for lead, hexavalent chromium, and mercury, and 0.01% for cadmium, or qualify for an exemption to these limits as defined in the Annexes of Directive 2000/53/EC (ELV). Regarding the REACH Regulation, the information TE provides on SVHC in articles for this part number is based on the latest European Chemicals Agency (ECHA) 'Guidance on requirements for substances in articles' posted at this URL: <https://echa.europa.eu/guidance-documents/guidance-on-reach>

Compatible Parts



TE Part # 2-1419106-5
27E893=SOCKET,KU,11,QC,POLY,NA-



TE Part # 1419106-4
27E046=SOCKET,KU,11,PC,NYL,NAT



TE Part # 1393143-1
27E043=SOCKET,KU,11,SLG,NYL,N



TE Part # 1393143-5
27E121=SOCKET,KUP,11,SCW,PLE

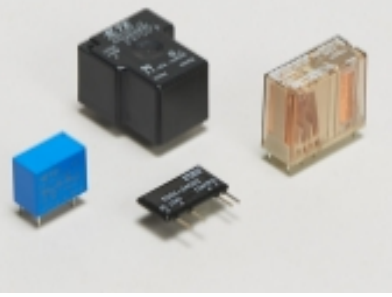


TE Part # 1393143-2
27E067=SOCKET,KU,11,QC.187,NY



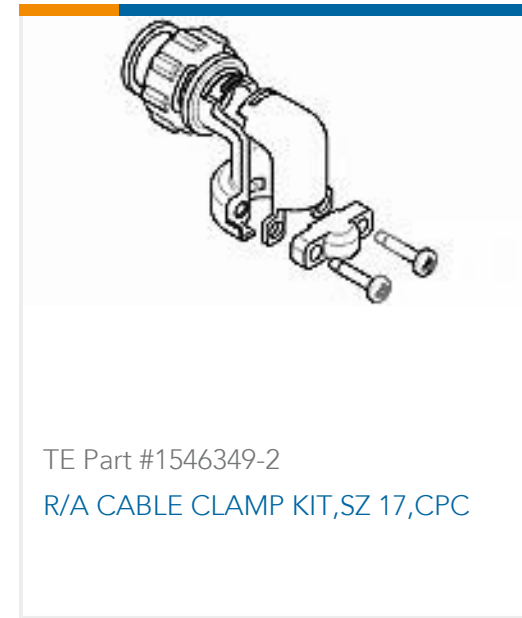
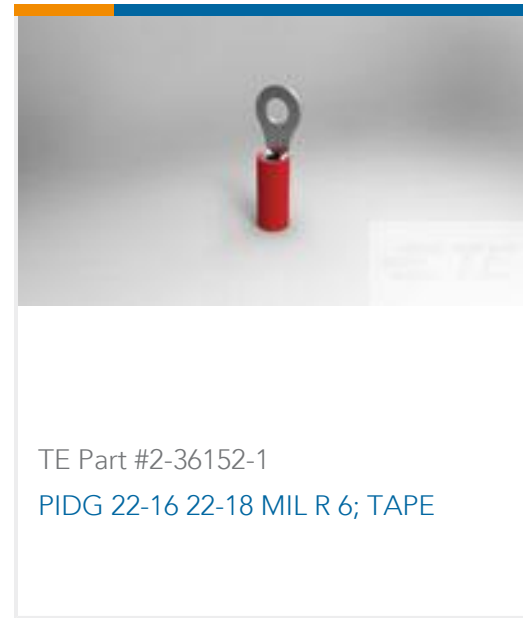
TE Part # 3-1393143-8
27E396=SOCKETS

Also in the Series | Potter & Brumfield KUL



Power Relays(14)

Customers Also Bought



Documents

CAD Files

[3D PDF](#)

[3D](#)

Customer View Model

[ENG_CVM_CVM_2-1393115-7_A.2d_dxf.zip](#)

English

Customer View Model

[ENG_CVM_CVM_2-1393115-7_A.3d_igs.zip](#)

English

Customer View Model

[ENG_CVM_CVM_2-1393115-7_A.3d_stp.zip](#)

English

By downloading the CAD file I accept and agree to the [Terms and Conditions](#) of use.

Datasheets & Catalog Pages

[KUL 10 Amp Magnetic Latching Relay](#)

English

[Industrial Relays Quick Reference Guide](#)



English

[Industrial Relays Quick Reference Guide](#)

Japanese

[Industrial Relays Quick Reference Guide](#)

Product Specifications

[Definitions, Handling, Processing, Testing and Use of Relays](#)

English

X-ON Electronics

Largest Supplier of Electrical and Electronic Components

Click to view similar products for [General Purpose Relays](#) category:

Click to view products by [TE Connectivity](#) manufacturer:

Other Similar products are found below :

[PCN-105D3MH,000](#) [59641F200](#) [LY1SAC110120](#) [5X827E](#) [5X837F](#) [5X840F](#) [5X842F](#) [5X848E](#) [LY2N-AC120](#) [LY2S-AC220/240](#) [LY2-US-AC120](#) [LY3-US-AC120](#) [LY4F-UA-DC12](#) [LY4F-UA-DC24](#) [LY4F-US-AC120](#) [LY4F-US-AC240](#) [LY4F-US-DC24](#) [LY4F-VD-AC110](#) [LYQ20DC12](#) [M115C60](#) [M115N010](#) [M115N0150](#) [6031007G](#) [603-12D](#) [61211T0B4](#) [61212T400](#) [61222Q400](#) [61243B600](#) [61243C500](#) [61243Q400](#) [61311BOA2](#) [61311BOA6](#) [61311BOA8](#) [61311C0A2](#) [61311COA1](#) [61311COA6](#) [61311F0A2](#) [61311QOA1](#) [61311QOA4](#) [61311T0D6](#) [61311TOA6](#) [61311TOA7](#) [61311TOB3](#) [61311TOB4](#) [61311U0A6](#) [61312Q600](#) [61312T400](#) [61312T600](#) [61313U200](#) [61313U400](#)