

THIS DRAWING IS UNPUBLISHED.

RELEASED FOR PUBLICATION BY TYCO ELECTRONICS CORPORATION. ALL RIGHTS RESERVED.

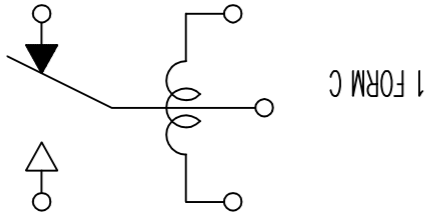
REV	DATE	DESCRIPTION	ECN	APVD
A1	14-NOV-08	ADD NEW TYPE AND MODIFY MISTAKE	ECO-08-029446	BHY
A2	21-FEB-10	DIMENSION CHANGE	ECO-10-004896	BHY
A3	15-MAY-10	ADD NEW TYPE	ECO-10-009515	BHY

REVISIONS

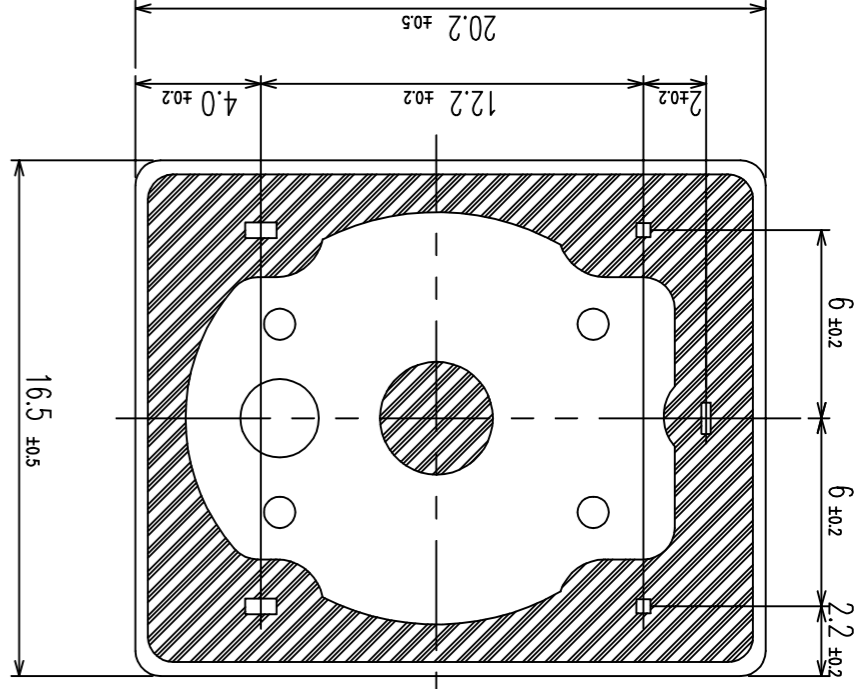
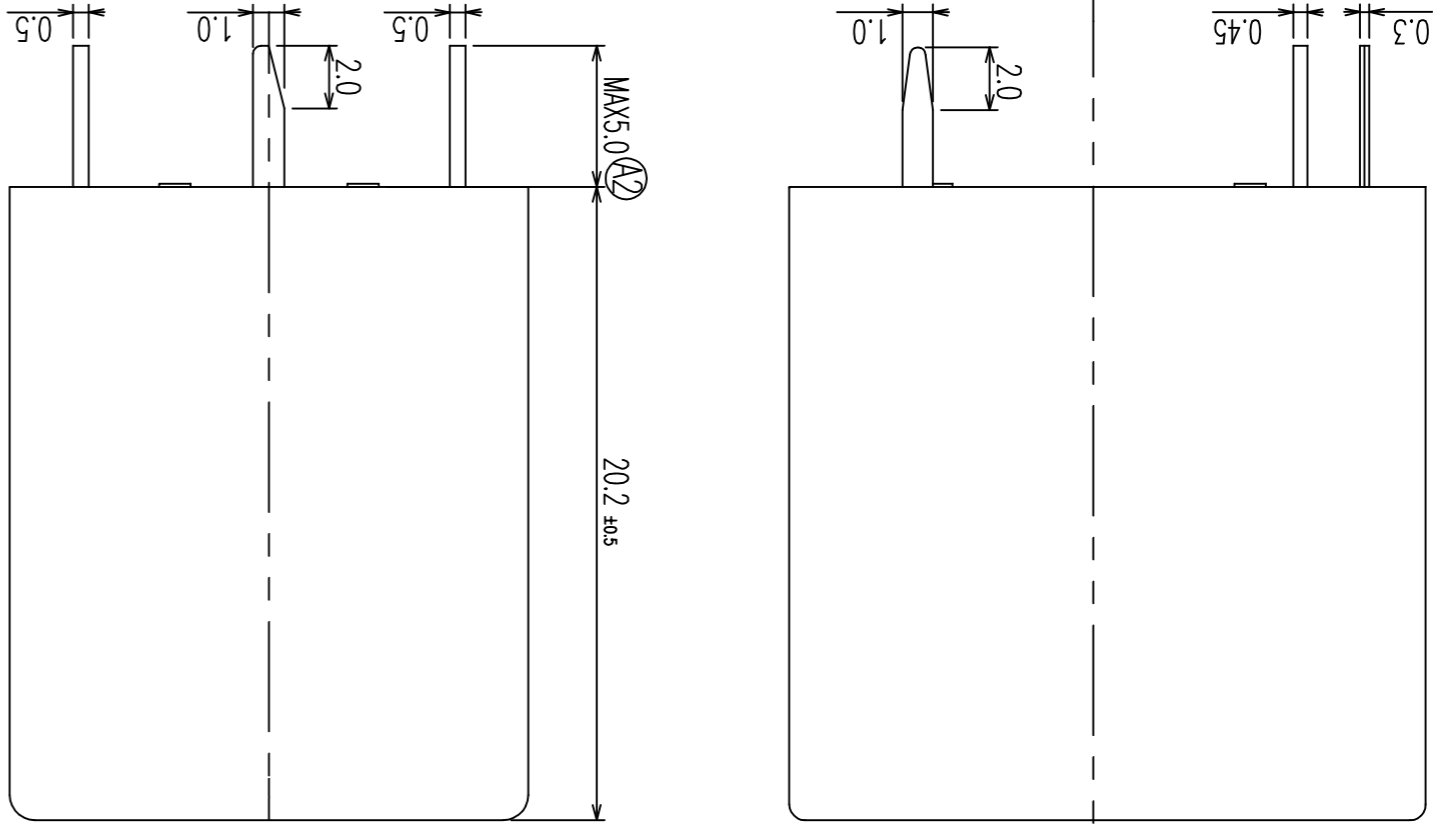
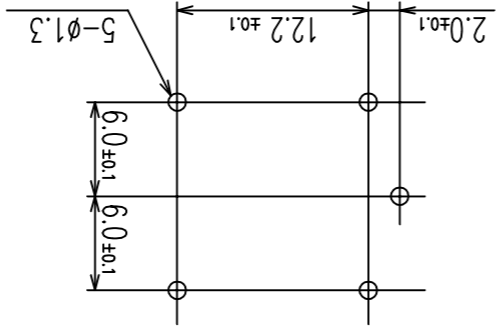
LOC	HB
DIST	

P LTR

3. CONNECTION DIAGRAM (BOTTOM VIEW)

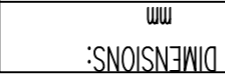


4. DRILLING DIAGRAM (BOTTOM VIEW)



NOTE: LOT NO. SYSTEM AS FOLLOWING:
 YEAR
 WEEK

DIMENTION TOLERANCE	
Max. 1mm	±0.1
1mm~Max. 3mm	±0.2
Min. 3mm	±0.3



DIMENSIONS:
mm

TOLERANCES UNLESS OTHERWISE SPECIFIED:
 0 PLC
 1 PLC
 2 PLC
 3 PLC
 4 PLC
 ANGLES

MATERIAL

FINISH

THIS DRAWING IS A CONTROLLED DOCUMENT FOR TYCO ELECTRONICS CORPORATION. IT IS SUBJECT TO CHANGE AND THE CONTROLLING ENGINEERING ORGANIZATION SHOULD BE CONTACTED FOR THE LATEST REVISION.
 TOLERANCES UNLESS OTHERWISE SPECIFIED:
 0 PLC
 1 PLC
 2 PLC
 3 PLC
 4 PLC
 ANGLES

WEIGHT

SIZE

CAGE CODE

DRAWING NO

RESTRICTED TO

CUSTOMER DRAWING
 SCALE 4:1
 SHEET 1 OF 3
 REV A3

T7C*5(1)D-**,009 CUSTOMER DRAWING

NAME
 Tyco Electronics
 Shenzhen, China

DWN H.SASAKI
 CHK N.FUNAYAMA
 APVD A.NAGAI

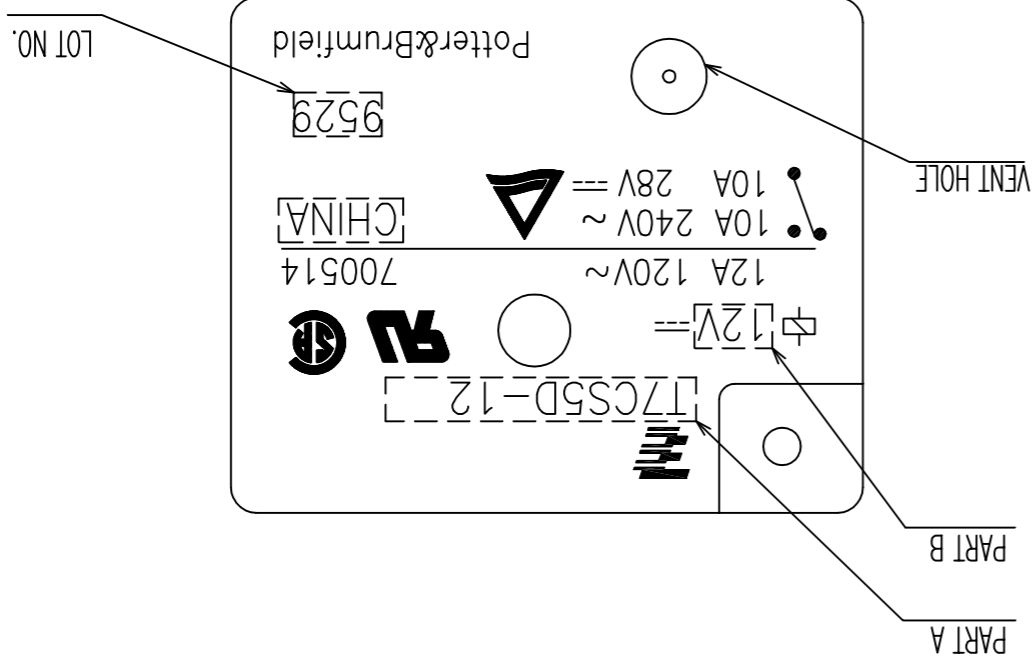
PRODUCT SPEC
 APPLICATION SPEC
 WEIGHT

SIZE A3
 CAGE CODE 00779
 DRAWING NO 1393190

RESTRICTED TO

SCALE 4:1
 SHEET 1 OF 3
 REV A3

VIEW C



LOT NO.

Potter&Brumfield
 9529

12A 120V~
 700514
 10A 240V~
 10A 28V~
 CHINA

T7C55D-12

VENT HOLE

A

B

C

D

A

B

C

D

LOC	HB	DIST						
			P	LTR	DESCRIPTION	ECN	DATE	APVD
REVISIONS								

RELAY TYPE

FIGURE	TE PART NO	PART B	PART A	ITEM
FIGURE 11	4-1393190-2	18V	T7CV1D-18	u
FIGURE 11	4-1393190-3	24V	T7CV1D-24	t
FIGURE 11	4-1393190-1	12V	T7CV1D-12	s
FIGURE 11	1-1393190-2	24V	T7CS1D-24	r
FIGURE 11	1-1393190-0	12V	T7CS1D-12	q
FIGURE 1	6-1393190-3	48V	T7CV5D-48	p
FIGURE 1	6-1393190-0	24V	T7CV5D-24	o
FIGURE 1	5-1393190-6	18V	T7CV5D-18	n
FIGURE 1	5-1393190-3	12V	T7CV5D-12	m
FIGURE 1	4-1393190-9	9V	T7CV5D-09	l
FIGURE 1	4-1393190-7	6V	T7CV5D-06	k
FIGURE 1	4-1393190-6	5V	T7CV5D-05	j
FIGURE 1	4-1393190-5	3V	T7CV5D-03	i
FIGURE 1	3-1393190-1	48V	T7CV5D-48	h
FIGURE 1	2-1393190-8	24V	T7CV5D-24	g
FIGURE 1	2-1393190-5	18V	T7CV5D-18	f
FIGURE 1	2-1393190-2	12V	T7CV5D-12	e
FIGURE 1	2-1393190-0	9V	T7CV5D-09	d
FIGURE 1	1-1393190-9	6V	T7CV5D-06	c
FIGURE 1	1-1393190-8	5V	T7CV5D-05	b
FIGURE 1	1-1393190-7	3V	T7CV5D-03	a

Ⓐ1
Ⓐ1
Ⓐ3

ITEM	DESCRIPTION	MATERIAL	INCOMBUSTIBILITY
1	YOKE	STEEL	
2	ARMATURE	STEEL	
3	CORE	STEEL	
4	MOVABLE SPRING	Cu ALLOY	
5	NO TERMINAL	Cu ALLOY	
6	NC TERMINAL	Cu ALLOY	
7	MOVABLE CONTACT	Ag ALLOY	
8	STATIONARY CONTACT	Ag ALLOY	
9	COIL TERMINAL	CP WIRE	
10	BOBBIN	PET	UL94 V-0 CLASS-F
11	CASE	PBT	UL94 V-0
12	MAGNETIC WIRE	MW79	
13	SEAL	EPOXY RESIN	
14	UV SEAL(FOR SEALED TYPE)	UV RESIN	

THIS DRAWING IS A CONTROLLED DOCUMENT FOR TYCO ELECTRONICS CORPORATION. IT IS SUBJECT TO CHANGE AND THE CONTROLLING ENGINEERING ORGANIZATION SHOULD BE CONTACTED FOR THE LATEST REVISION.

TOLEANCES UNLESS OTHERWISE SPECIFIED:
 0 PLC ±
 1 PLC ±
 2 PLC ±
 3 PLC ±
 4 PLC ANGLES ±

DIMENSIONS: mm

MATERIAL: —
FINISH: —

WGT: —
APVD: H.SASAKI
CHK: N.FUNAYAMA
DWN: A.NAGAI

NAME: Tyco Electronics Corporation, Shenzhen, China
 PRODUCT SPEC: T7C*5(1)D-**,009 CUSTOMER DRAWING
 APPLICATION SPEC: —
 DRAWING NO: 1393190
 CAGE CODE: 00779
 SCALE: 4:1
 SHEET: 3 OF 3
 REV: A3

A

B

C

D

A

B

C

D

X-ON Electronics

Largest Supplier of Electrical and Electronic Components

Click to view similar products for [General Purpose Relays](#) category:

Click to view products by [TE Connectivity](#) manufacturer:

Other Similar products are found below :

[APF30318](#) [JVN1AF-4.5V-F](#) [PCN-105D3MHZ](#) [5JO-10000S-SIL](#) [5JO-1000CD-SIL](#) [5JO-400CD-SIL](#) [LY2S-AC220/240](#) [LYQ20DC12](#)
[6031007G](#) [6131406HQ](#) [6-1393099-3](#) [6-1393099-8](#) [6-1393122-4](#) [6-1393123-2](#) [6-1393767-1](#) [6-1393843-7](#) [6-1415012-1](#) [6-1419102-2](#) [6-](#)
[1423698-4](#) [6-1608051-6](#) [6-1608067-0](#) [6-1616170-6](#) [6-1616248-2](#) [6-1616282-3](#) [6-1616348-2](#) [6-1616350-1](#) [6-1616350-8](#) [6-1616358-7](#) [6-](#)
[1616359-9](#) [6-1616360-9](#) [6-1616931-6](#) [6-1617039-1](#) [6-1617052-1](#) [6-1617090-2](#) [6-1617090-5](#) [6-1617347-5](#) [6-1617353-3](#) [6-1617801-8](#) [6-](#)
[1617802-2](#) [6-1618107-9](#) [6-1618248-4](#) [M83536/1-027M](#) [CX-4014](#) [MAHC-5494](#) [MAVCD-5419-6](#) [703XCX-120A](#) [7-1393100-5](#) [7-1393111-7](#)
[7-1393144-5](#) [7-1393767-8](#)