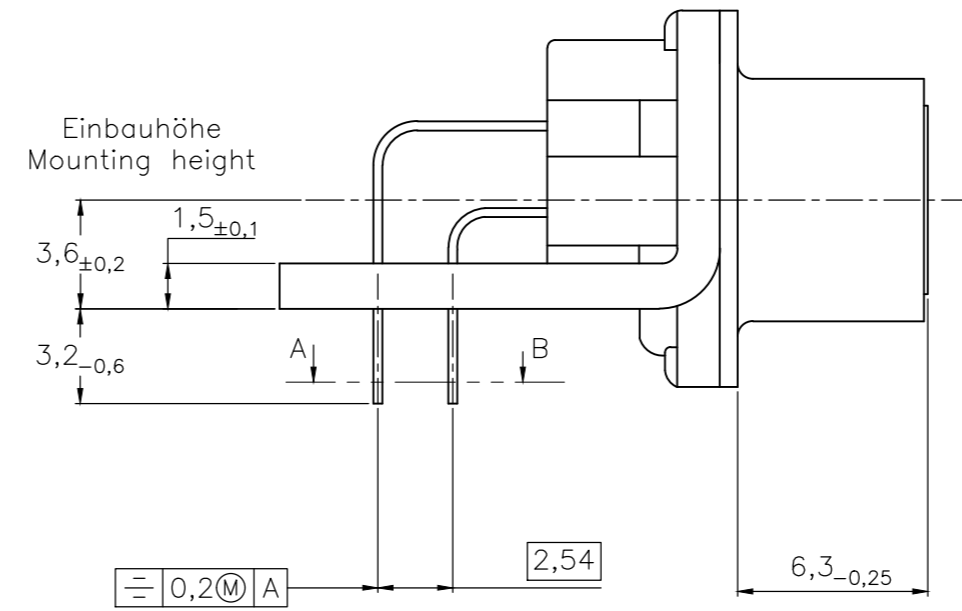
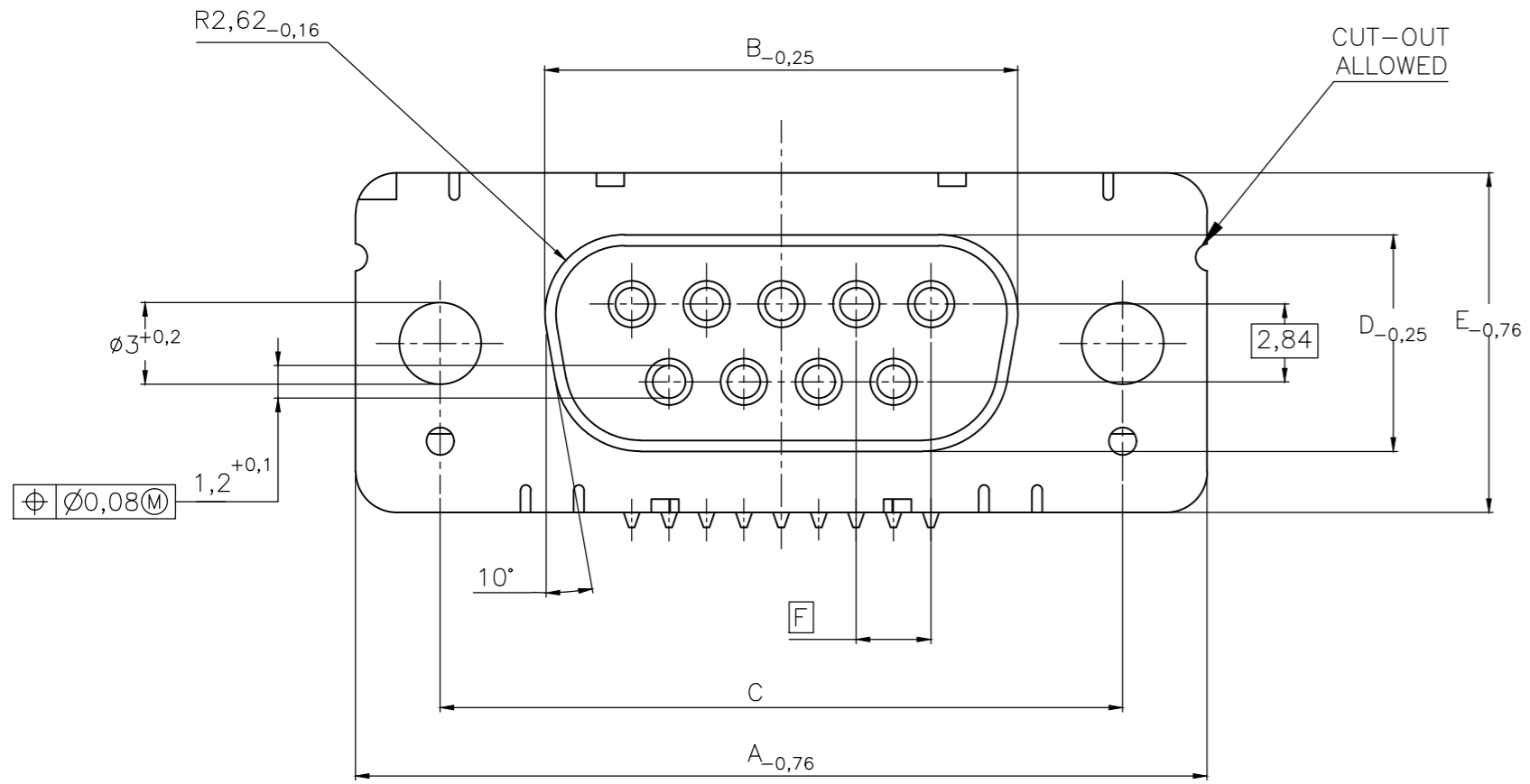


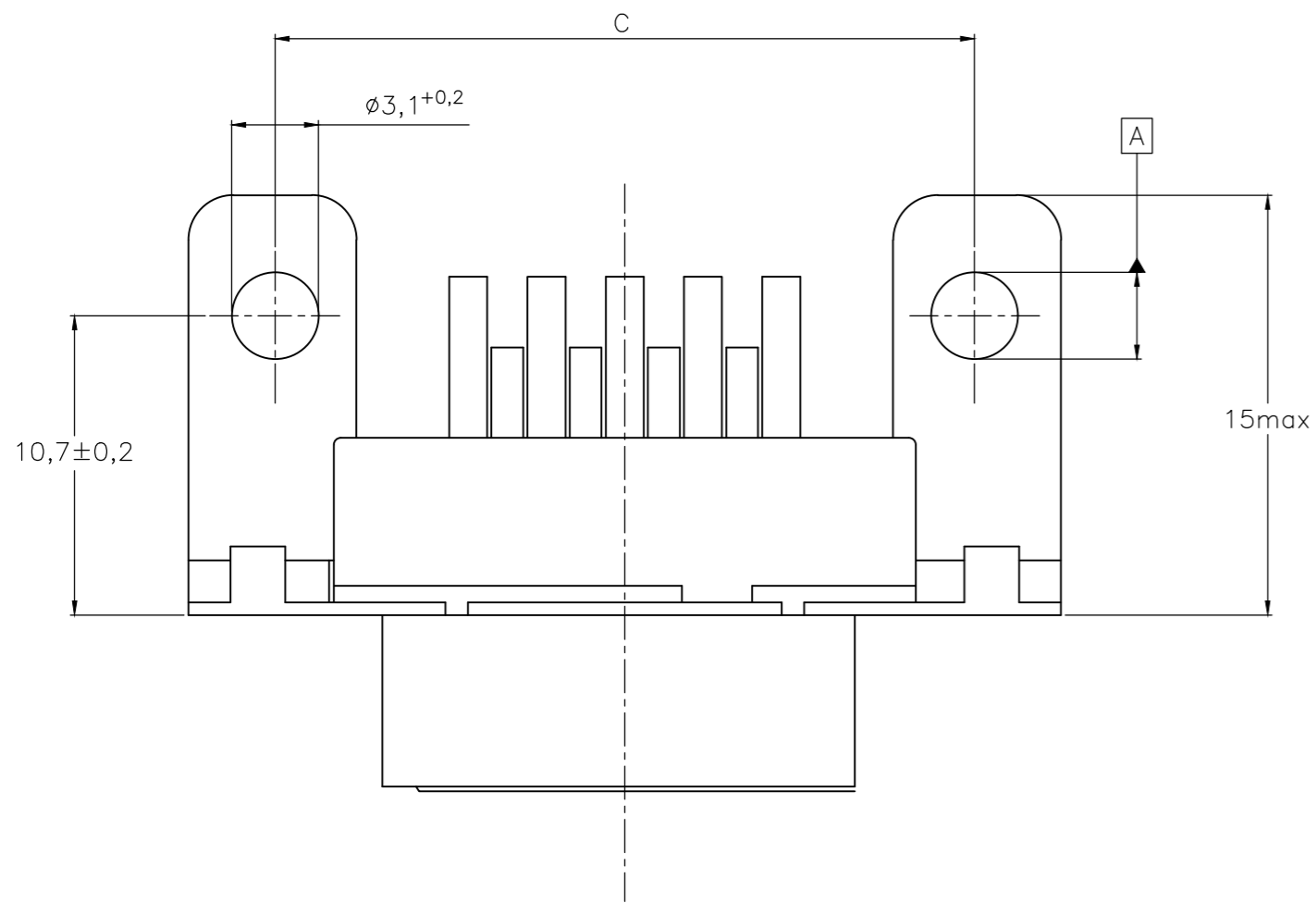
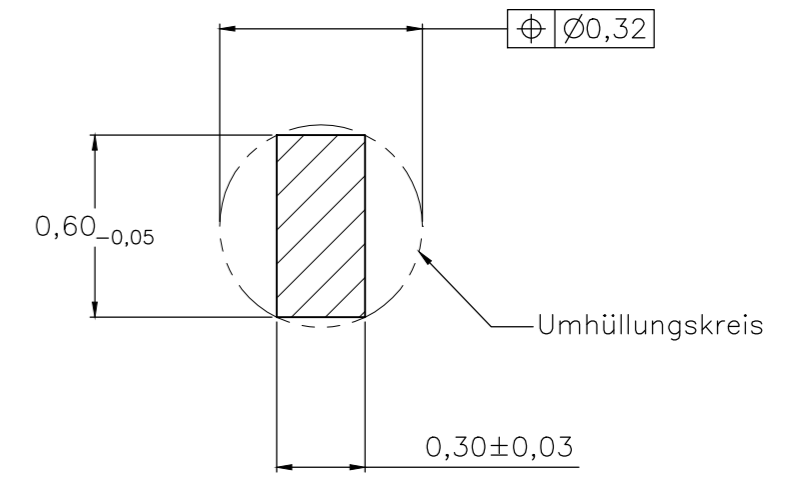
THIS DRAWING IS UNPUBLISHED. RELEASED FOR PUBLICATION
 © COPYRIGHT - By - ALL RIGHTS RESERVED.

REVISIONS					
P	LTR	DESCRIPTION	DATE	DWN	APVD
	H	REVISED PER ECO-17-017772	25MAY2018	AP	DG

Standardausführung: V23529-Bx121-Bxxx-+
 Standardversion



Schnitt AB des Lötanschlusses
 Cross-section AB of solderpin
 (20:1)



Ordercode Sachnr	Contacts Polzahl	Mass/Dimension					
		A	B	C	D	E	F
..-Bx09-+	09	31,19	16,46	25,0 $\begin{smallmatrix} +0,12 \\ -0,13 \end{smallmatrix}$	8,02	12,93	2,74
..-Bx15-+	15	39,52	24,79	33,3 $\begin{smallmatrix} +0,15 \\ -0,1 \end{smallmatrix}$			2,74
..-Bx25-+	25	53,42	38,5	47,04 $\begin{smallmatrix} +0,13 \\ -0,13 \end{smallmatrix}$			2,76
..-Bx37-+	37	69,7	54,96	63,5 $\begin{smallmatrix} +0,13 \\ -0,13 \end{smallmatrix}$			2,76

Anforderungsstufe/Performance level ¹⁾

1) nach DIN 41652T.2 und T.4
 according to DIN 41652 T.2 AND T.4

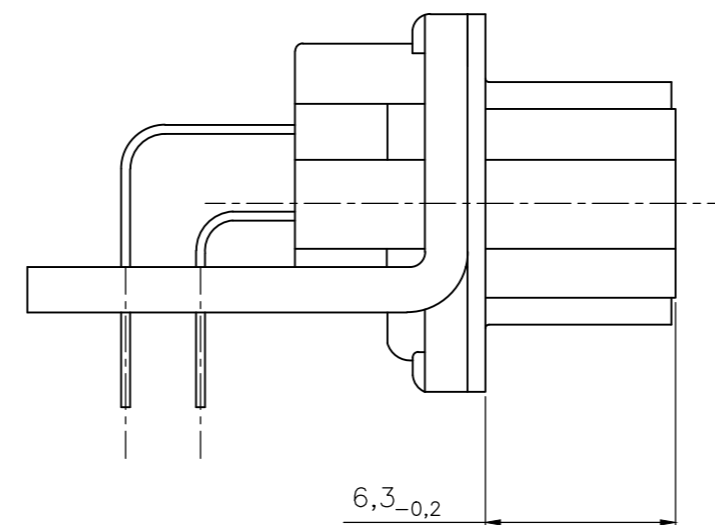
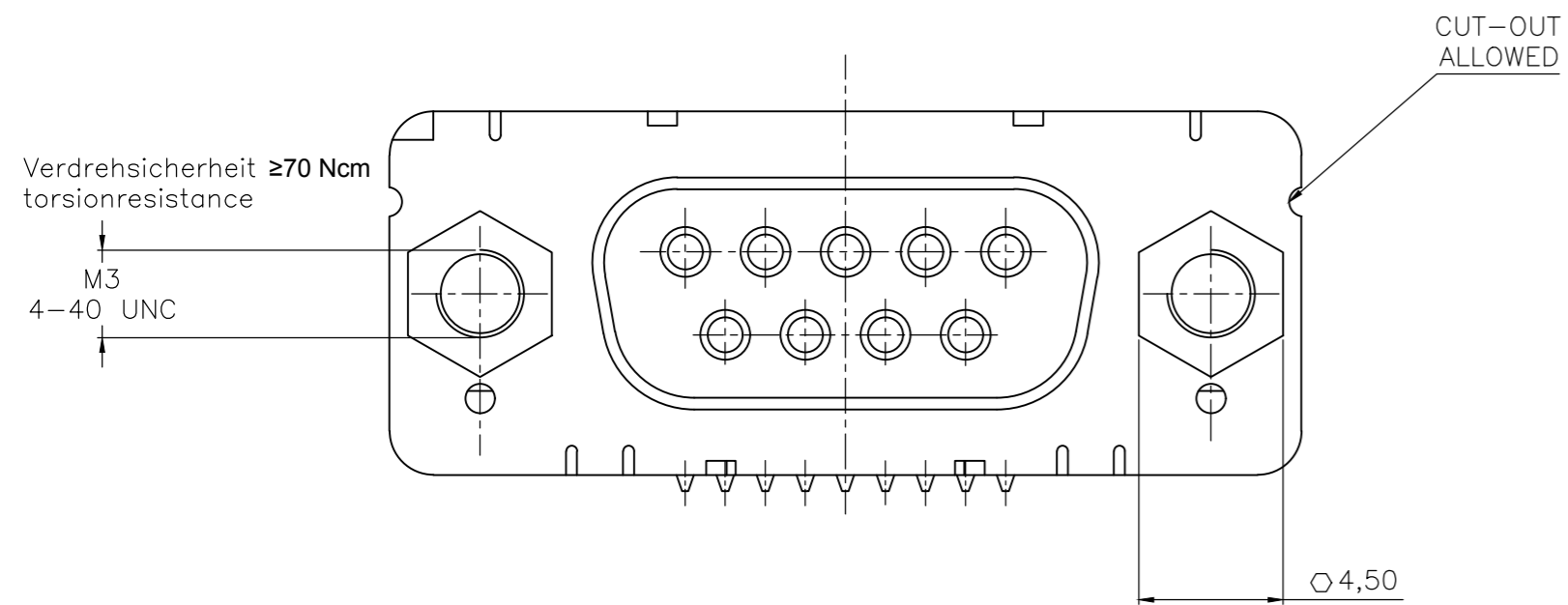
OLD PN: V23529-B****-B***-*-7427

THIS DRAWING IS A CONTROLLED DOCUMENT.		DWN GNANI JADAV A E	07JAN10	STE TE Connectivity	
DIMENSIONS: mm		CHK K. MALCZYK	APVD K. MALCZYK		
TOLERANCES UNLESS OTHERWISE SPECIFIED:		PRODUCT SPEC		NAME	
0 PLC ± -		APPLICATION SPEC		Buchsenleiste ¹⁾	
1 PLC ± -		WEIGHT 0		Einbauhöhe 3,6 mm (Variante 1)	
2 PLC ± -		SCALE 2:1		Socketconnector-90° solderversion (Type1) ¹⁾	
3 PLC ± -		SHEET 1 of 6		SIZE CAGE CODE DRAWING NO RESTRICTED TO	
4 PLC ± -		REV H		A2 00779 C=1-1393480-7	
ANGLES ± -		CUSTOMER DRAWING			
FINISH					

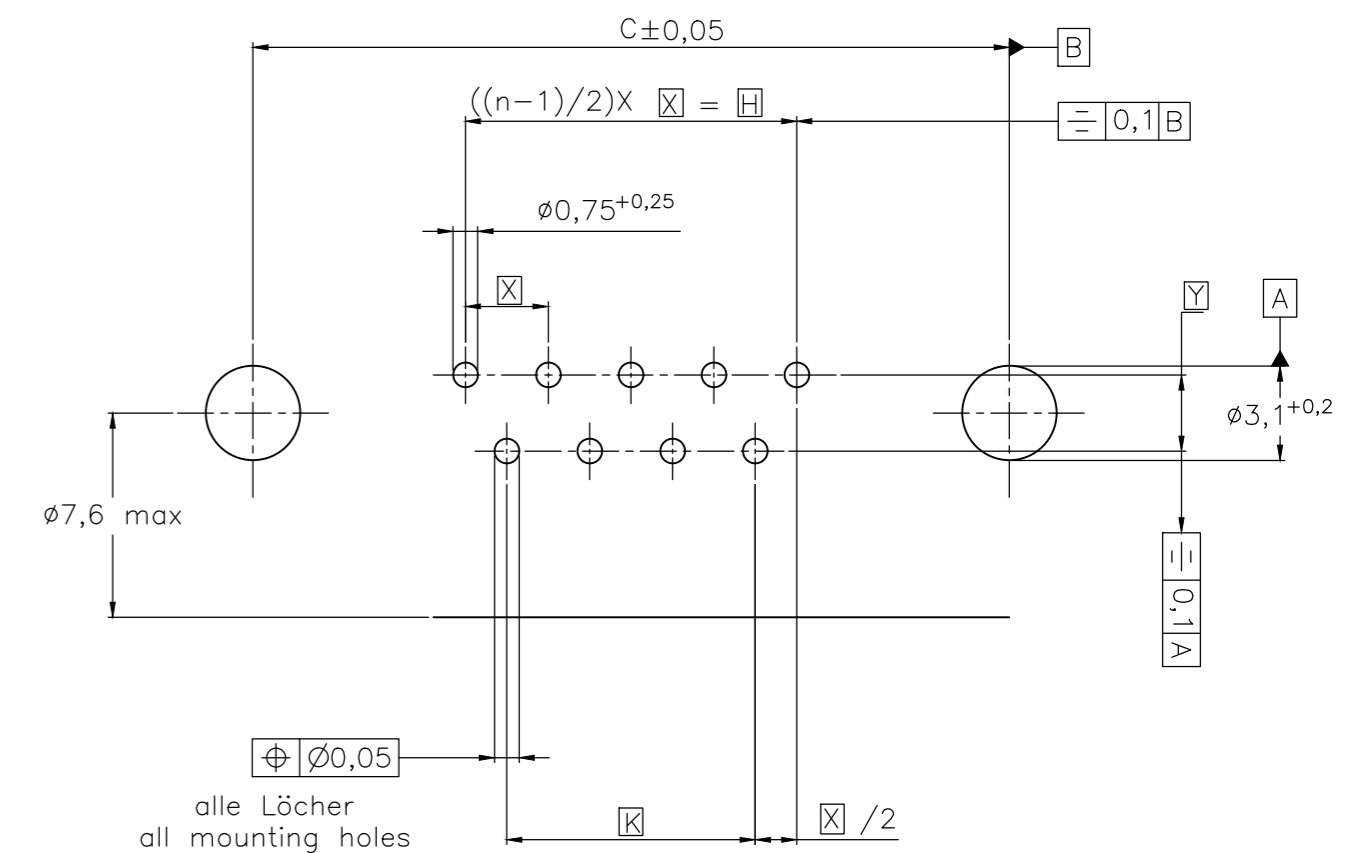
THIS DRAWING IS UNPUBLISHED. RELEASED FOR PUBLICATION
 © COPYRIGHT - By - ALL RIGHTS RESERVED.

REVISIONS				
P	LTR	DESCRIPTION	DATE	APVD
-	-	SEE SHEET 1	-	-

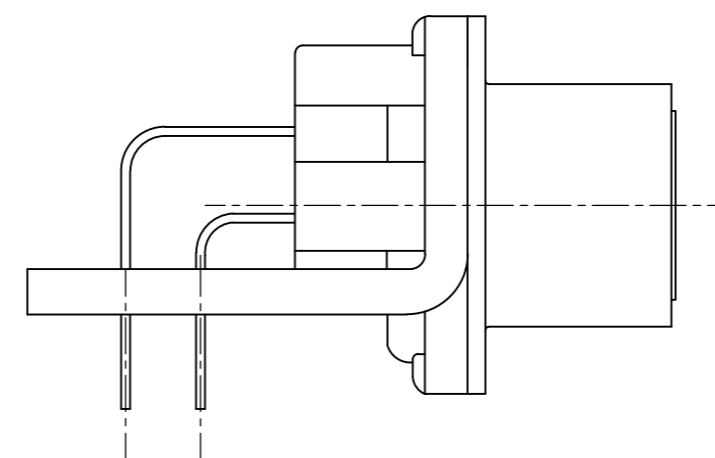
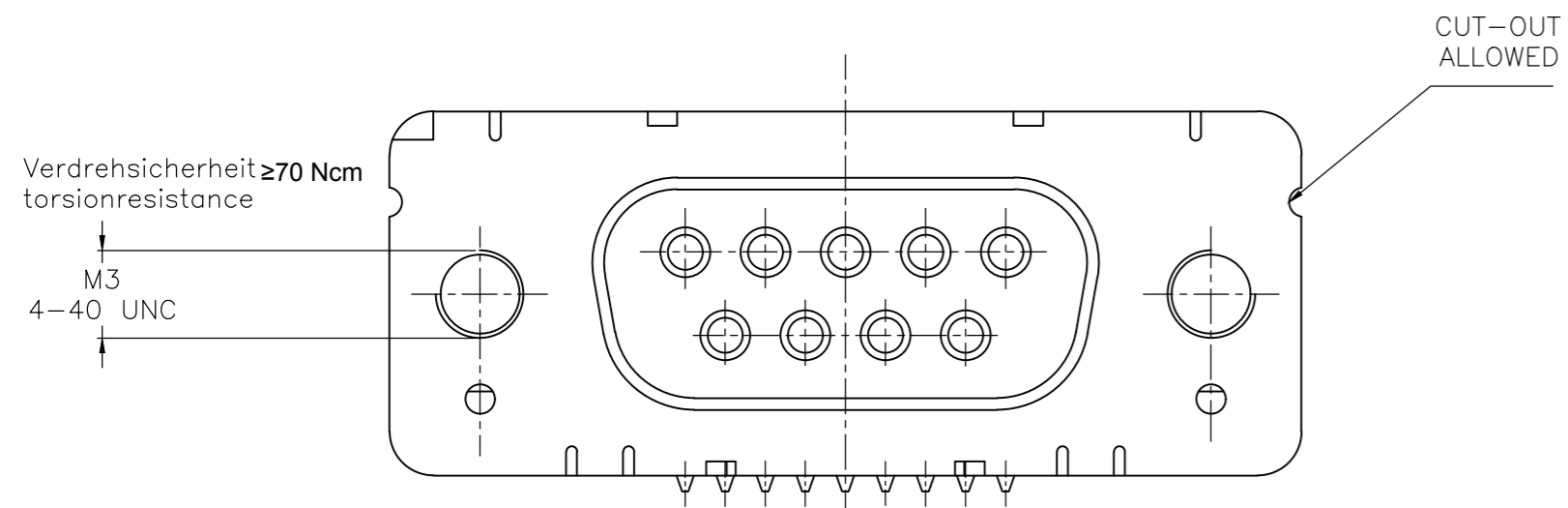
mit Gewindebolzen: M3 V23529-Bxx24-Bxxx-+
 with threadlock 4-40 UNC V23529-Bxx25-Bxxx-+



Leiterplattenbohrung
 PCB hole pattern



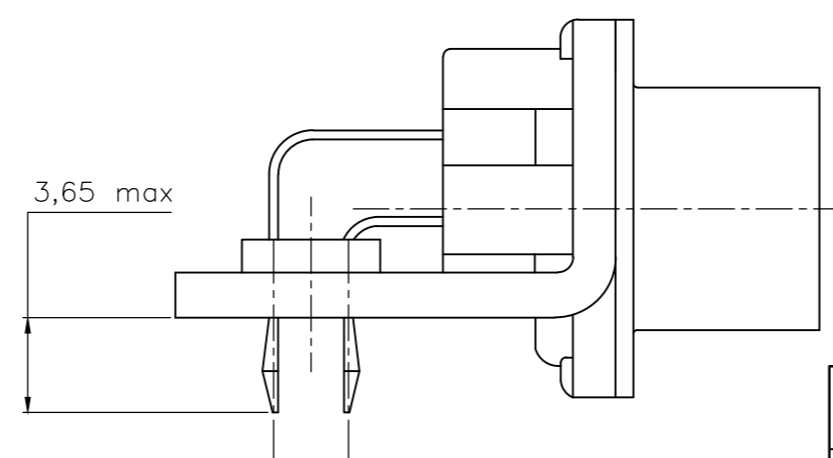
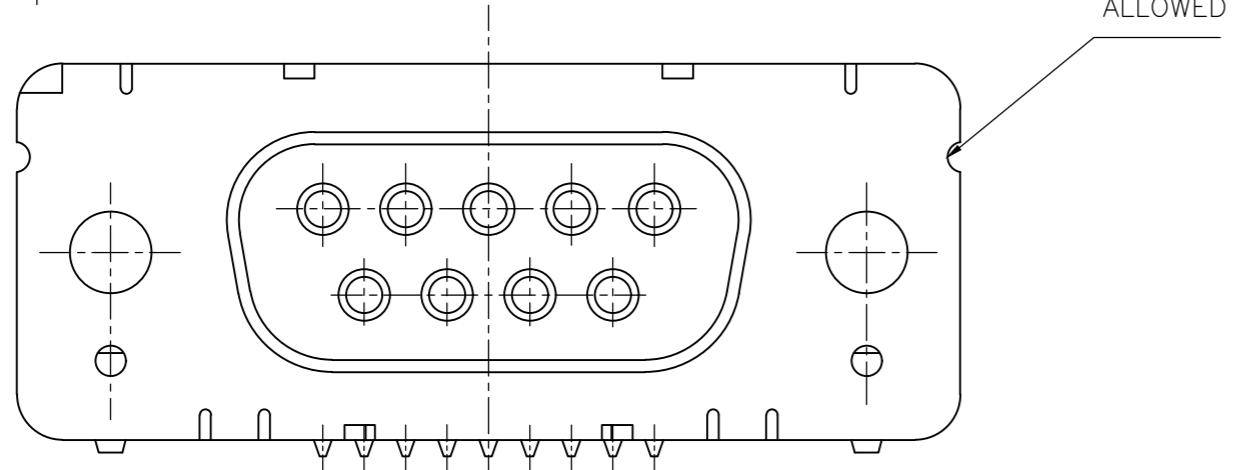
mit Gewinde : M3 V23529-Bxx22-Bxxx-+
 with thread 4-40 UNC V23529-Bxx23-Bxxx-+



Mass Dimension	Polzahl n Number of contacts n			
	9	15	25	37
C	25	33,3	47,04	63,5
H	10,96	19,18	33,12	49,68
K	8,22	16,44	30,36	46,92
X	2,74	2,74	2,76	2,76
Y	2,54			

1) nach DIN 41652.T.2 und T.4
 according to DIN 41652 T.2 AND T.4

mit clipbefestigung V23529-Bx22x-Bxxx-+
 with snap-in



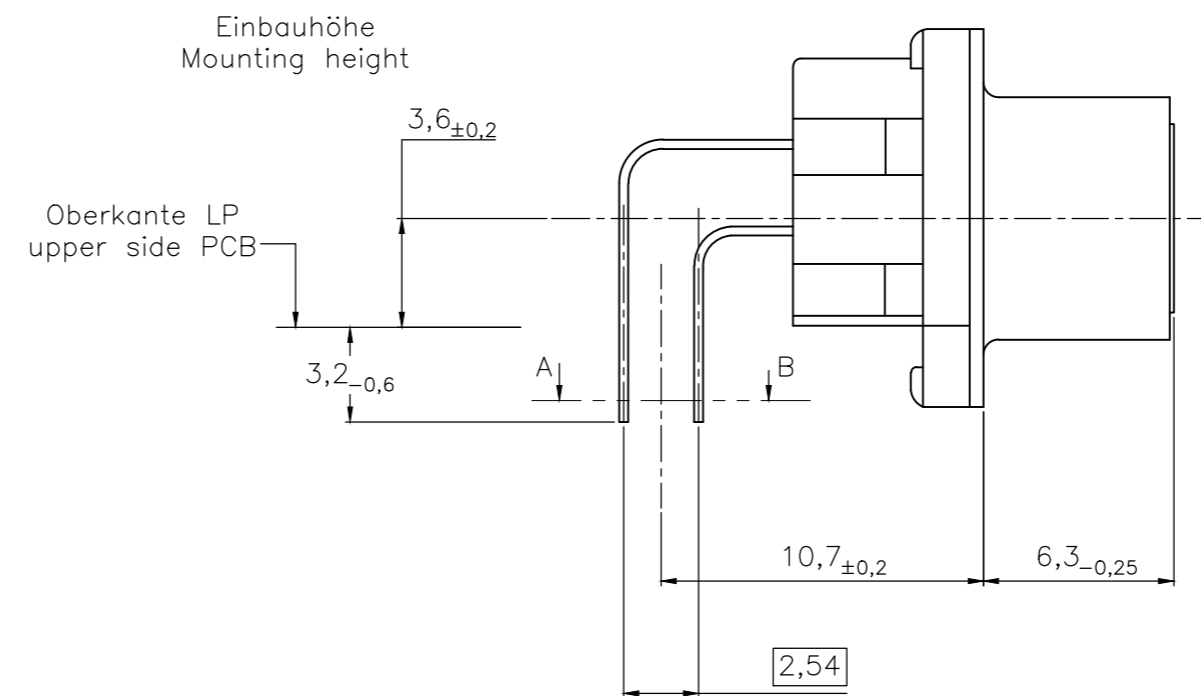
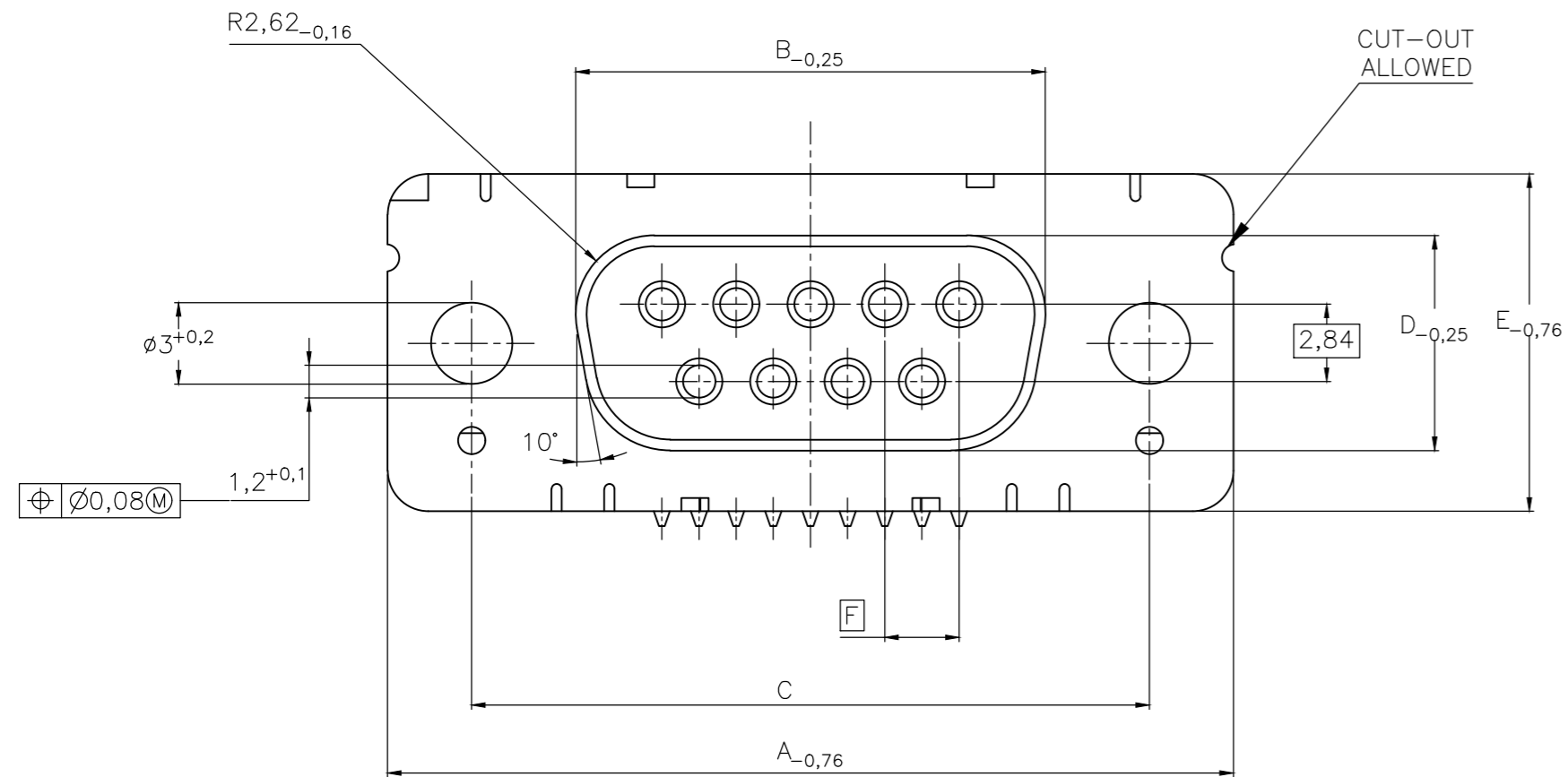
LP-Dicke $1,6 \pm 0,13$ mm, Loch $\varnothing 3,1^{+0,2}$
 PC-board-thickness $1,6 \pm 0,13$ mm, Hole $\varnothing 3,1^{+0,2}$

OLD PN: V23529-B****-B***-*-7427

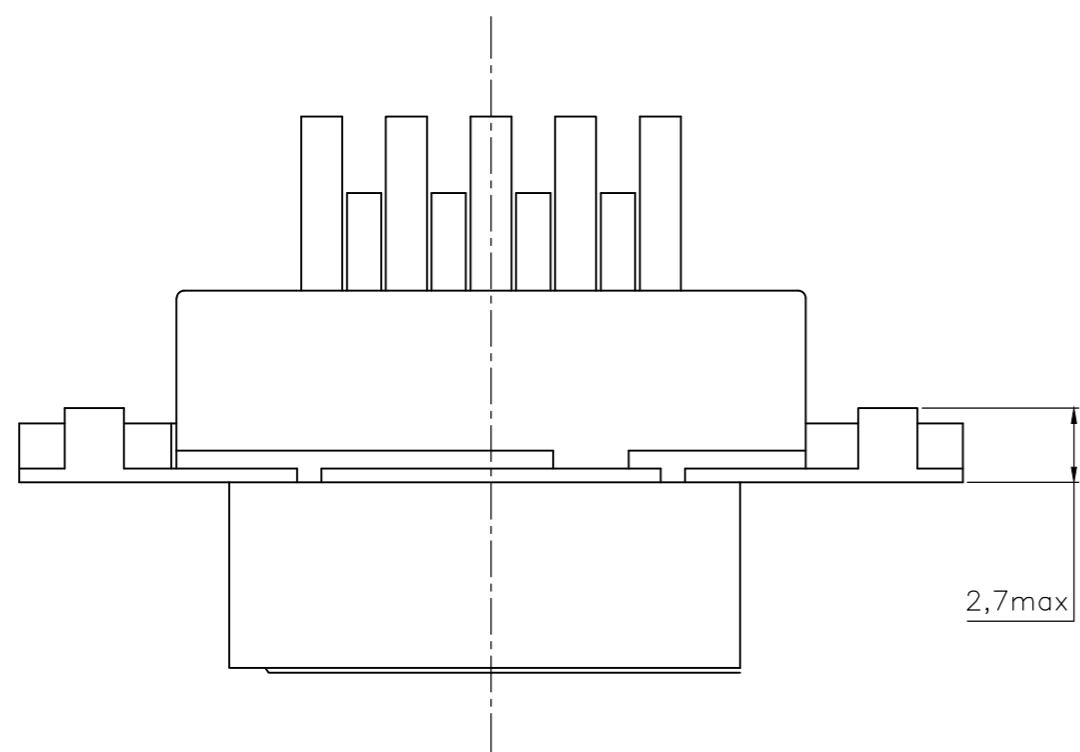
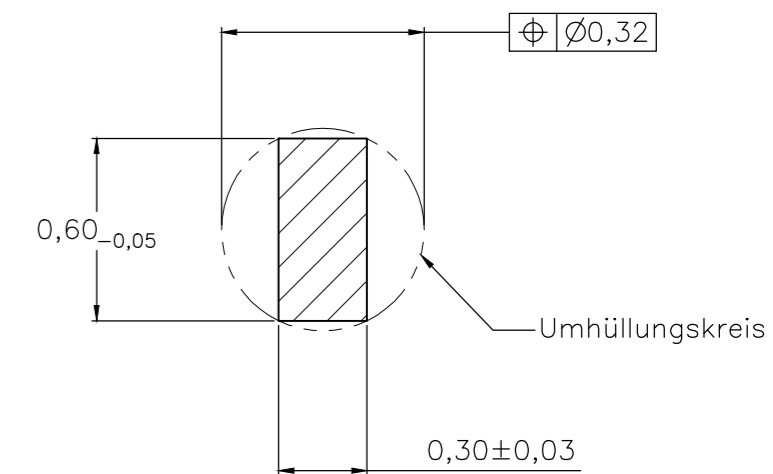
THIS DRAWING IS A CONTROLLED DOCUMENT.		DWN GNANI JADAV A E	07JAN10			TE Connectivity	
DIMENSIONS: mm		CHK K. MALCZYK	APVD K. MALCZYK			NAME Buchsleistenleiste ¹⁾ Einbauhöhe 3,6 mm (Variante 1) Socketconnector-90° solderversion (Type1) ¹⁾	
TOLERANCES UNLESS OTHERWISE SPECIFIED:		PRODUCT SPEC		APPLICATION SPEC		RESTRICTED TO	
0 PLC ± - 1 PLC ± - 2 PLC ± - 3 PLC ± - 4 PLC ± - ANGLES ± -		WEIGHT		SCALE		SHEET	
MATERIAL		FINISH		CUSTOMER DRAWING		REV	
				A2 00779 C=1-1393480-7		2 of 6 H	

REVISIONS					
P	LTR	DESCRIPTION	DATE	DWN	APVD
-	-	SEE SHEET 1	-	-	-

Standardausführung ohne Winkel: V23529-B50x1-Bxxx-+
 Standardversion without bracket



Schnitt AB des Lötanschlusses
 Cross-section AB of solderpin
 (20:1)



Ordercode Sachnr	Contacts Polzahl	Mass/Dimension					
		A	B	C	D	E	F
..-Bx09-+	09	31,19	16,46	25,0 ^{+0,12} _{-0,13}	8,02	12,93	2,74
..-Bx15-+	15	39,52	24,79	33,3 ^{+0,15} _{-0,1}			2,74
..-Bx25-+	25	53,42	38,5	47,04 ^{+0,13} _{-0,13}			2,76
..-Bx37-+	37	69,7	54,96	63,5 ^{+0,13} _{-0,13}			2,76

Anforderungsstufe/Performance level ¹⁾

1) nach DIN 41652 T.2 und T.4
 according to DIN 41652 T.2 AND T.4

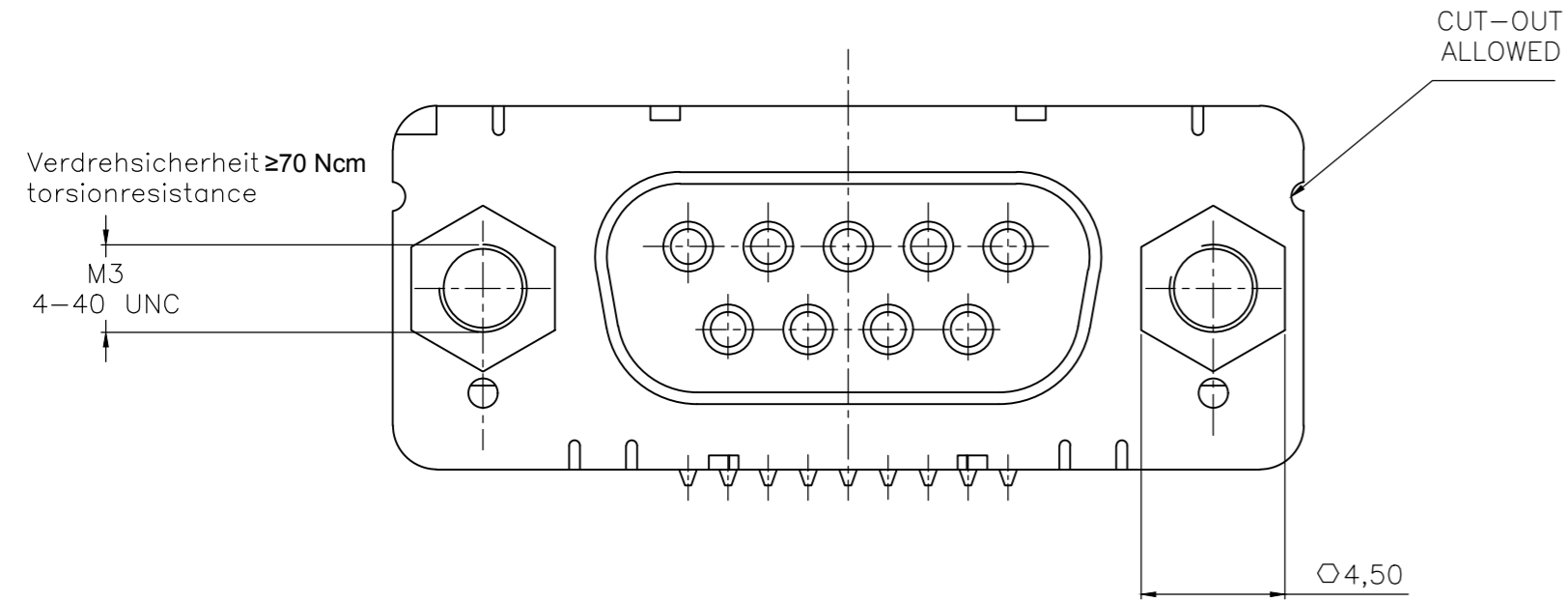
OLD PN: V23529-B****-B***-*-7427

THIS DRAWING IS A CONTROLLED DOCUMENT.		DWN GNANI JADAV A E	07JAN10	TE TE Connectivity	
DIMENSIONS: mm		CHK K. MALCZYK	APVD K. MALCZYK		
TOLERANCES UNLESS OTHERWISE SPECIFIED:		PRODUCT SPEC		NAME Buchsenleiste ¹⁾ Einbauhöhe 3,6 mm (Variante 1) Socketconnector-90° solderversion (Type1) ¹⁾	
0 PLC ± - 1 PLC ± - 2 PLC ± - 3 PLC ± - 4 PLC ± - ANGLES ± -		APPLICATION SPEC		SIZE A2	CAGE CODE 00779
MATERIAL		WEIGHT		DRAWING NO 1-1393480-7	
FINISH		CUSTOMER DRAWING		SCALE 2:1	SHEET 3 of 6
				RESTRICTED TO	REV H

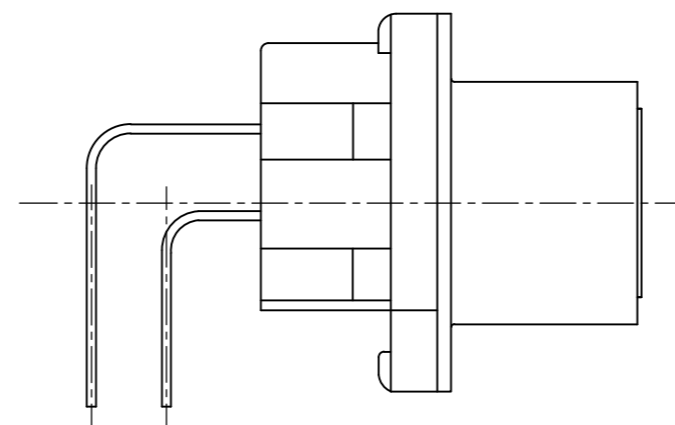
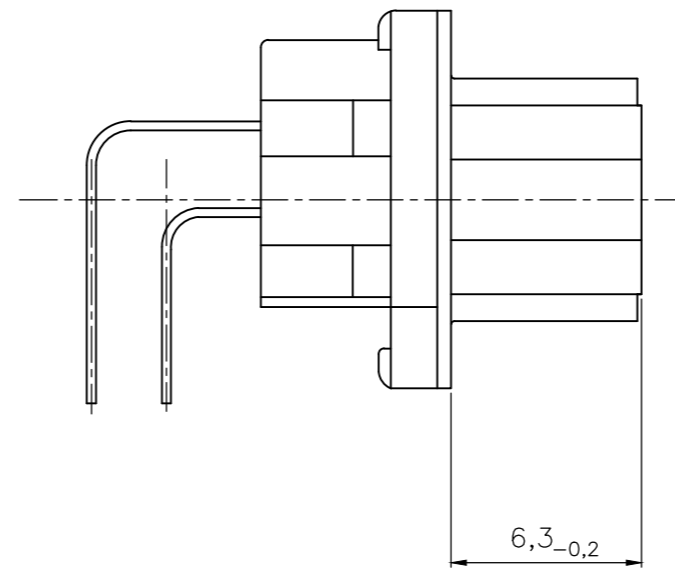
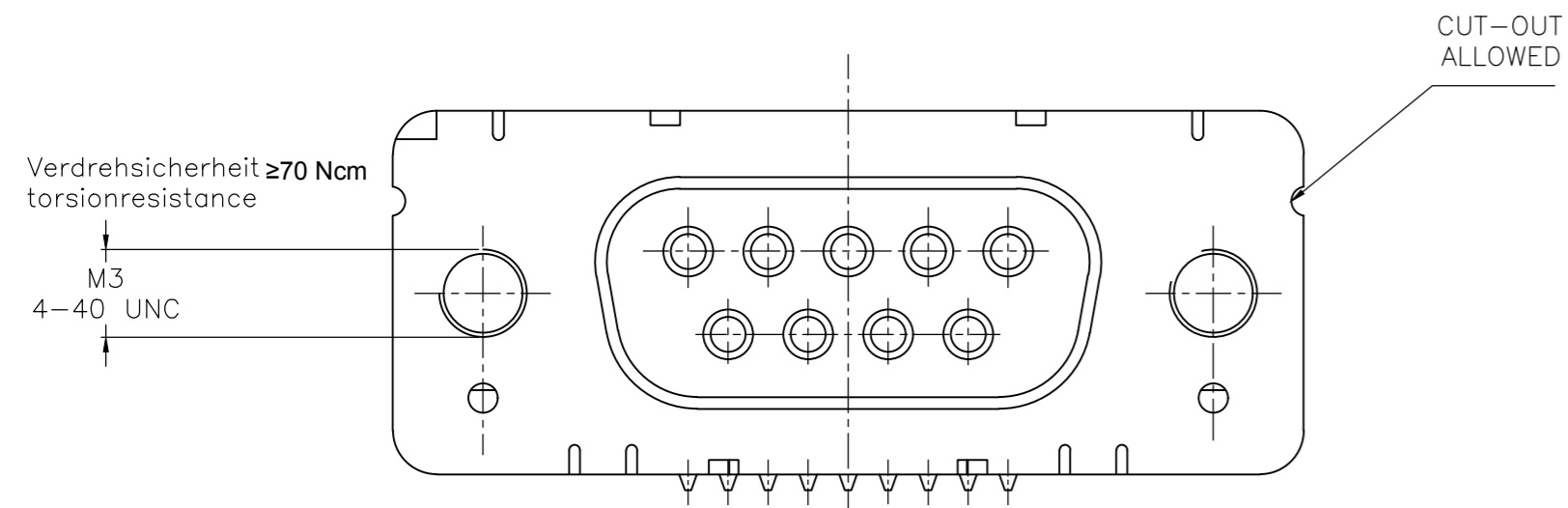
THIS DRAWING IS UNPUBLISHED. RELEASED FOR PUBLICATION
 © COPYRIGHT - By - ALL RIGHTS RESERVED.

REVISIONS					
P	LTR	DESCRIPTION	DATE	DWN	APVD
-	-	SEE SHEET 1	-	-	-

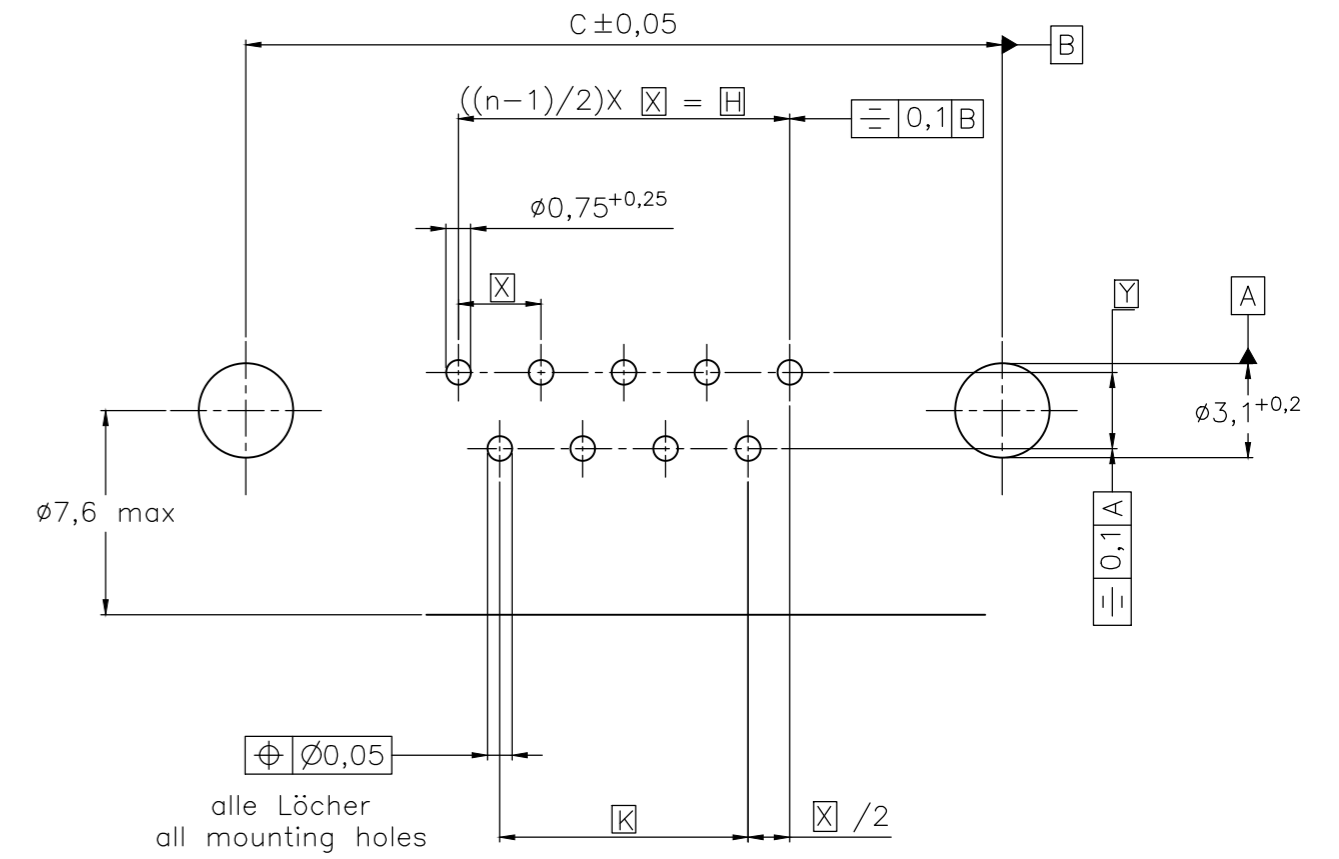
mit Gewindebolzen: M3 V23529-B50x4-Bxxx-+
 with threadlock 4-40 UNC V23529-B50x5-Bxxx-+



mit Gewinde : M3 V23529-B50x2-Bxxx-+
 with thread 4-40 UNC V23529-B50x3-Bxxx-+



Leiterplattenbohrung
 PCB hole pattern



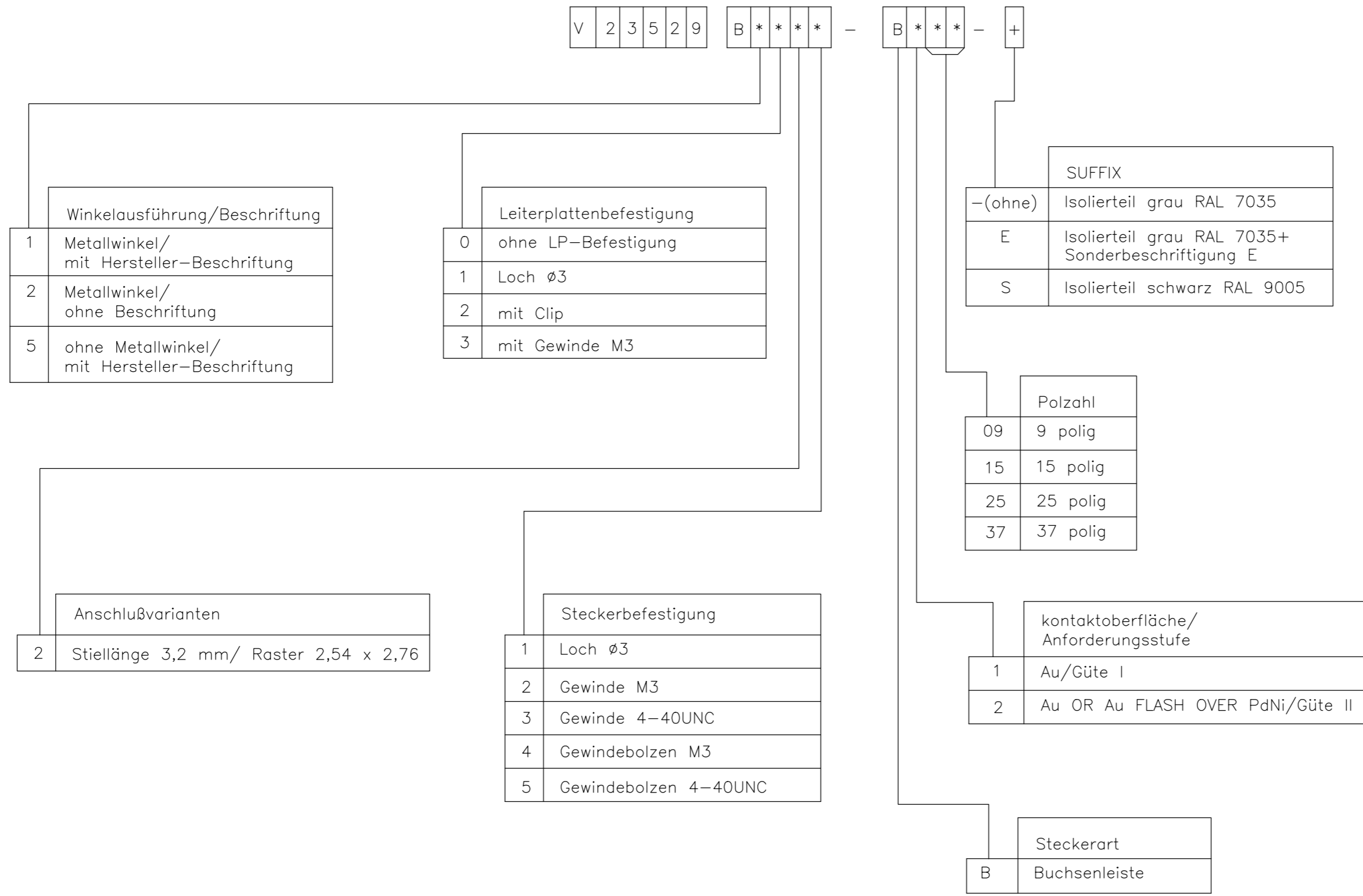
Mass Dimension	Polzahl n Number of contacts n			
	9	15	25	37
C	25	33,3	47,04	63,5
H	10,96	19,18	33,12	49,68
K	8,22	16,44	30,36	46,92
X	2,74	2,74	2,76	2,76
Y	2,54			

1) nach DIN 41652T.2 und T.4
 according to DIN 41652 T.2 AND T.4

OLD PN: V23529-B****-B***-*-7427

THIS DRAWING IS A CONTROLLED DOCUMENT.		DWN GNANI JADAV A E	07JAN10	TE TE Connectivity	
DIMENSIONS: mm		CHK K. MALCZYK	APVD K. MALCZYK		
TOLERANCES UNLESS OTHERWISE SPECIFIED:		PRODUCT SPEC		NAME Buchsleistenleiste ¹⁾ Einbauhöhe 3,6 mm (Variante 1) Socketconnector-90° solderversion (Type1) ¹⁾	
0 PLC ± - 1 PLC ± - 2 PLC ± - 3 PLC ± - 4 PLC ± - ANGLES ± -		APPLICATION SPEC		SIZE A2	CAGE CODE 00779
MATERIAL		WEIGHT		DRAWING NO 1-1393480-7	
FINISH		CUSTOMER DRAWING		RESTRICTED TO	SCALE 2:1
				SHEET 4 of 6	REV H

REVISIONS				
P	LTR	DESCRIPTION	DATE	APVD
-	-	SEE SHEET 1	-	-



1) nach DIN 41652.2 und T.4 according to DIN 41652 p.2 AND p.4

OLD PN: V23529-B*****-B***-*-7427

THIS DRAWING IS A CONTROLLED DOCUMENT.		DWN GNANI JADAV A E	07JAN10	TE Connectivity	
DIMENSIONS: mm		CHK K. MALCZYK	APVD K. MALCZYK	NAME Buchsenleiste	
		TOLERANCES UNLESS OTHERWISE SPECIFIED: 0 PLC ± - 1 PLC ± - 2 PLC ± - 3 PLC ± - 4 PLC ± - ANGLES ± -		Einbauhöhe 3,6 mm (Variante 1) ¹⁾ Socketconnector-90° solderversion (Type1) ¹⁾	
MATERIAL	FINISH	WEIGHT	SCALE	SHEET	RESTRICTED TO
-	-	-	A2	00779	-
CUSTOMER DRAWING			SCALE	SHEET	REV
			2:1	5 of 6	H

THIS DRAWING IS UNPUBLISHED. RELEASED FOR PUBLICATION
 © COPYRIGHT - By - ALL RIGHTS RESERVED.

REVISIONS				
P	LTR	DESCRIPTION	DATE	APVD
-	-	SEE SHEET 1	-	-


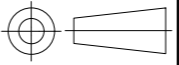
Active part numbers. Contact TE CONNECTIVITY for other configuration availability

Old Part Number	TE CONNECTIVITY Part Number
V23529-B1121-B209	1-1393480-7
V23529-B1121-B215	1-1393480-8
V23529-B1121-B225	1-1393480-9
V23529-B1121-B237	2-1393480-0
V23529-B1122-B209	2-1393480-8
V23529-B1122-B215	2-1393480-9
V23529-B1122-B225	3-1393480-0
V23529-B1122-B237	3-1392010-8
V23529-B1123-B109	3-1393480-4
V23529-B1123-B209	3-1393480-6
V23529-B1123-B215	3-1393480-7
V23529-B1123-B225	3-1393480-8
V23529-B1123-B237	3-1393480-9
V23529-B1125-B209	4-1393480-7 OBSOLETE
V23529-B1125-B215	4-1393480-8 OBSOLETE
V23529-B1125-B225	4-1393480-9 OBSOLETE
V23529-B1125-B237	5-1393480-0 OBSOLETE
V23529-B1221-B209	5-1393480-5
V23529-B1221-B215	5-1393480-6
V23529-B1221-B225	5-1393480-7
V23529-B1222-B109	6-1393480-4

Old Part Number	TE CONNECTIVITY Part Number
V23529-B1222-B115	6-1393480-5
V23529-B1222-B125	6-1393480-6
V23529-B1222-B209	6-1393480-7 OBSOLETE
V23529-B1222-B215	6-1393480-8 OBSOLETE
V23529-B1222-B225	6-1393480-9 OBSOLETE
V23529-B1222-B237	7-1393480-0 OBSOLETE
V23529-B1223-B109	7-1393480-8
V23529-B1223-B115	7-1393480-9
V23529-B1223-B125	8-1393480-0
V23529-B1223-B209	8-1393480-1
V23529-B1223-B215	8-1393480-2
V23529-B1223-B225	8-1393480-3
V23529-B1223-B237	8-1393480-4
V23529-B1224-B209	9-1393480-0
V23529-B1224-B215	9-1393480-1
V23529-B1224-B225	9-1393480-2
V23529-B1225-B209	9-1393480-9
V23529-B1225-B215	1393481-1
V23529-B1225-B225	1393481-2
V23529-B1225-B237	3-1392010-7
V23529-B2221-B209	1-1393481-1

1) nach DIN 41652 T.2 und T.4 according to DIN 41652 p.2 AND p.4

OLD PN: V23529-B****-B***-*-7427

THIS DRAWING IS A CONTROLLED DOCUMENT.		DWN 07JAN10 GNANI JADAV A E	 TE Connectivity	
DIMENSIONS: mm		CHK K. MALCZYK		
		APVD K. MALCZYK	NAME Buchsenleiste ¹⁾ Einbauhöhe 3,6 mm (Variante 1) Socketconnector-90° solderversion (Type1) ¹⁾	
TOLERANCES UNLESS OTHERWISE SPECIFIED:		PRODUCT SPEC	SIZE A2	RESTRICTED TO
0 PLC ± -		APPLICATION SPEC	CAGE CODE 00779	DRAWING NO C=1-1393480-7
1 PLC ± -		WEIGHT -	SCALE 2:1	SHEET 6 of 6
2 PLC ± -		CUSTOMER DRAWING	REV H	
3 PLC ± -				
4 PLC ± -				
ANGLES ± -				
MATERIAL -				
FINISH -				

X-ON Electronics

Largest Supplier of Electrical and Electronic Components

Click to view similar products for [D-Sub Standard Connectors](#) category:

Click to view products by [TE Connectivity](#) manufacturer:

Other Similar products are found below :

[56F711-015](#) [012-9507-004](#) [LV242999-142T12](#) [015-0341-000](#) [015-0372-005](#) [015-0372-008](#) [015-8755-001](#) [020419-0104](#) [012-0467-000](#) [012-0515-000](#) [012-9507-034](#) [012-9507-114](#) [020745-0008](#) [609-25P](#) [M24308/2-23Z](#) [CT2-14S-2PCA34](#) [CT2-18-11PCAU](#) [CT2-36-15SC](#) [CT6-14S-2SC](#) [CT6E14SA7SC](#) [CT6E22-14PC](#) [CT6E22-14PS](#) [CT6E22-22PS](#) [M83513/01-FC](#) [M85049/48-3-2F](#) [6STD09PCM99B70X](#) [6STD09SCM99B30X](#) [6STD09SCT99S40X](#) [6STD15PCT99S40X](#) [6STD15SCM99B30X](#) [6STD15SCT99S40X](#) [6STF09PCM05B70X](#) [7-135760-9](#) [MC11E-10-6SN](#) [747552-3](#) [MD1-21PS](#) [MDM-15SCBRM7-F222](#) [MDM96517-699](#) [MDM96521-744](#) [MDVB1-21SL1](#) [MIK0-1-7SH003](#) [MIKQ6-7SH076](#) [MIKQ7-7PH077](#) [MIKQ7-7PH11](#) [MIKQ7-7PH32](#) [MJSV-28SL61](#) [MKJ4A1F14-55S](#) [8-135760-3](#) [8STD09PCM99B30X](#) [PG-KV/PV-16-GROM-SEALING](#)