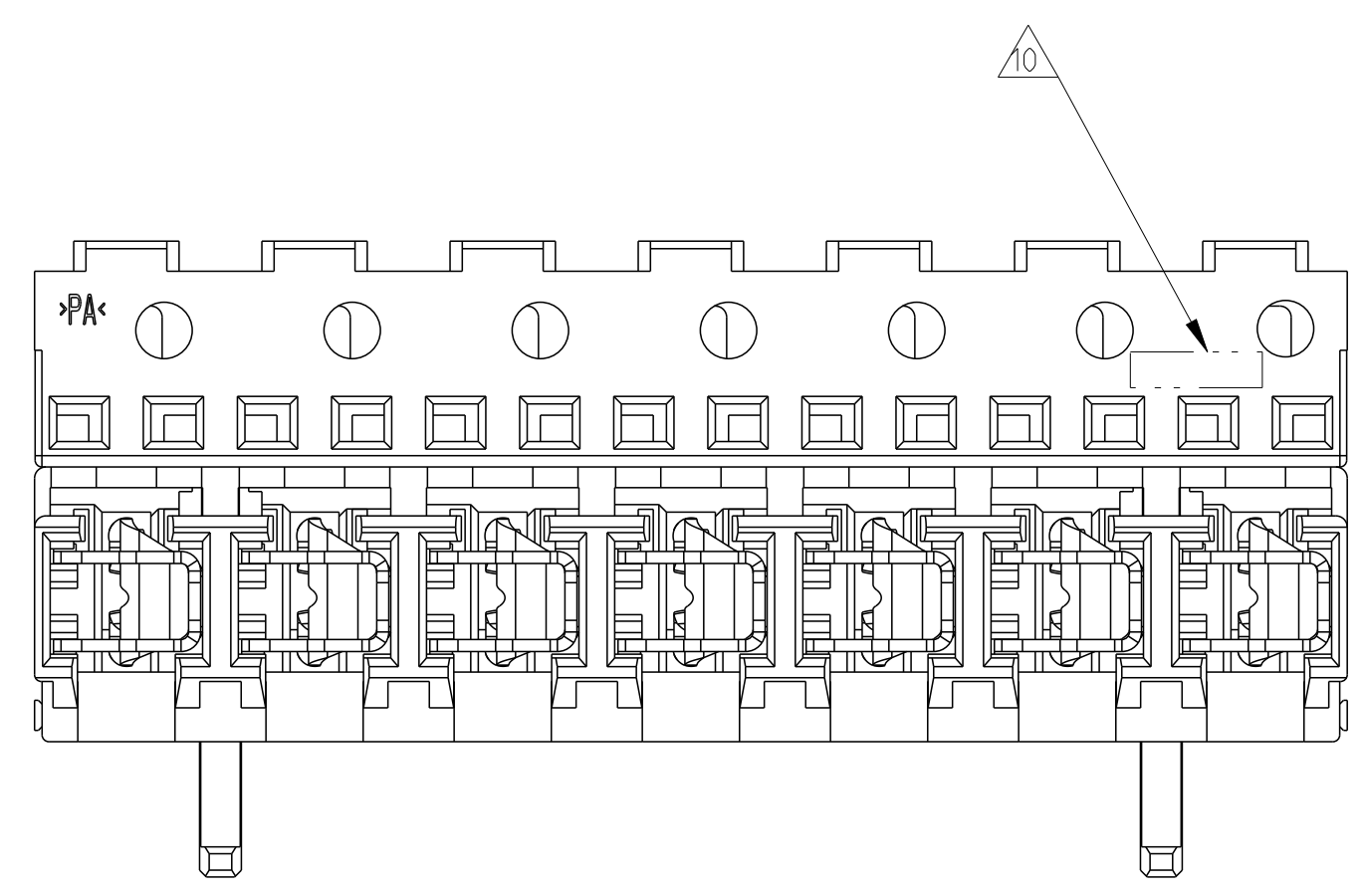
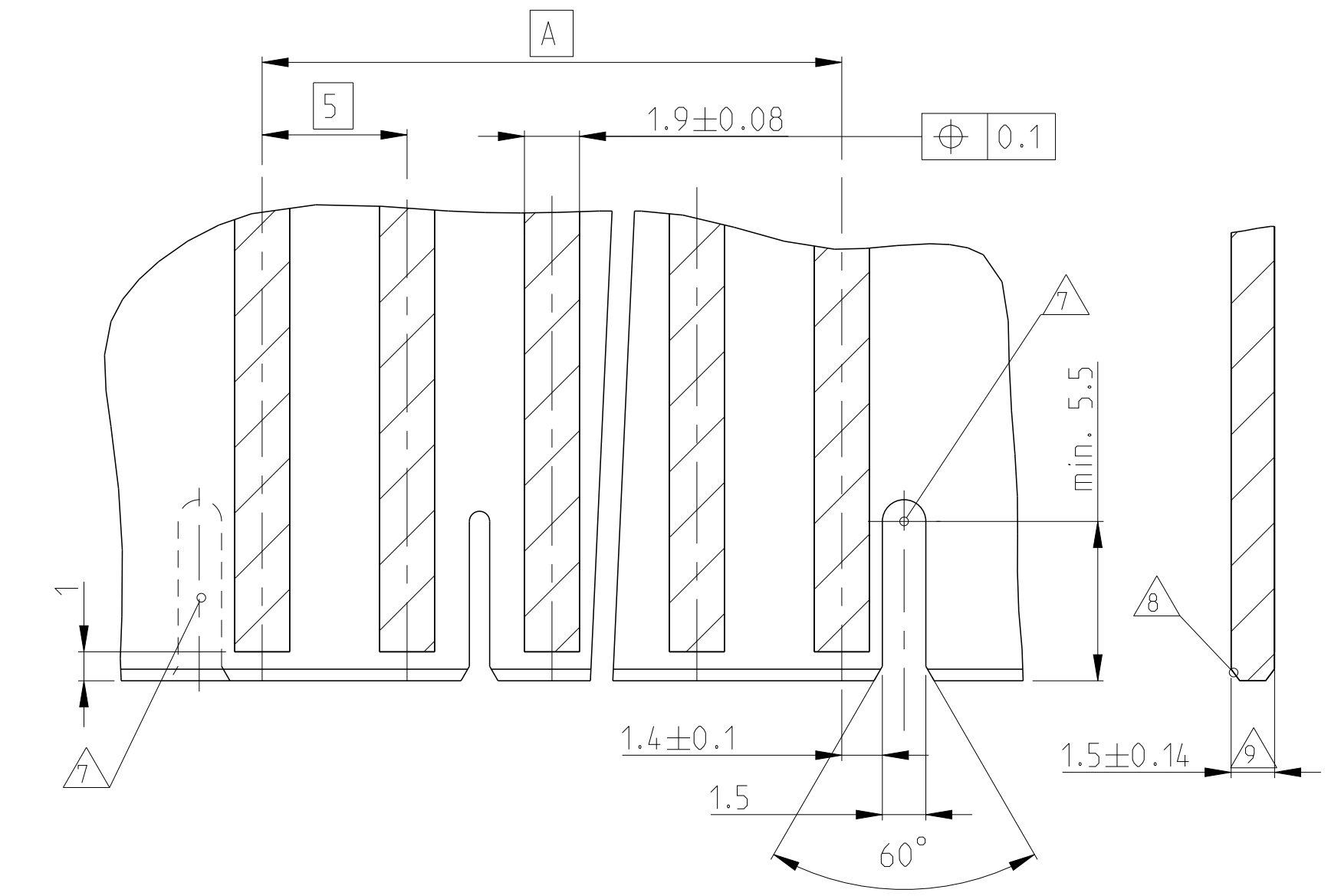
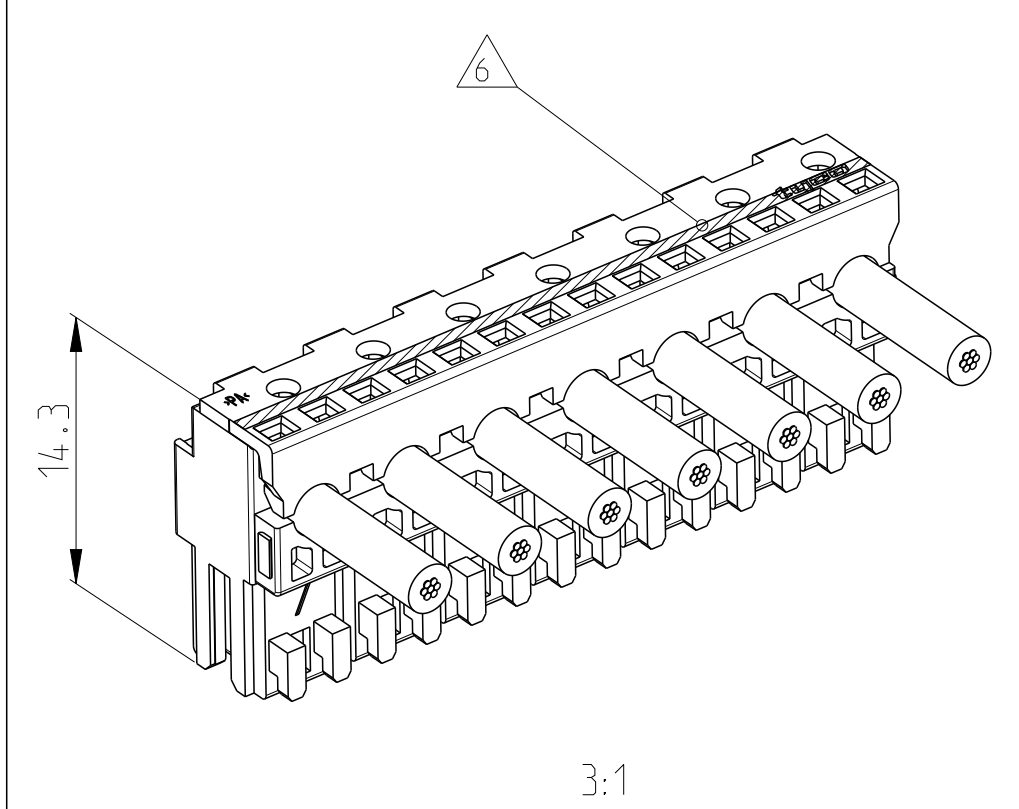
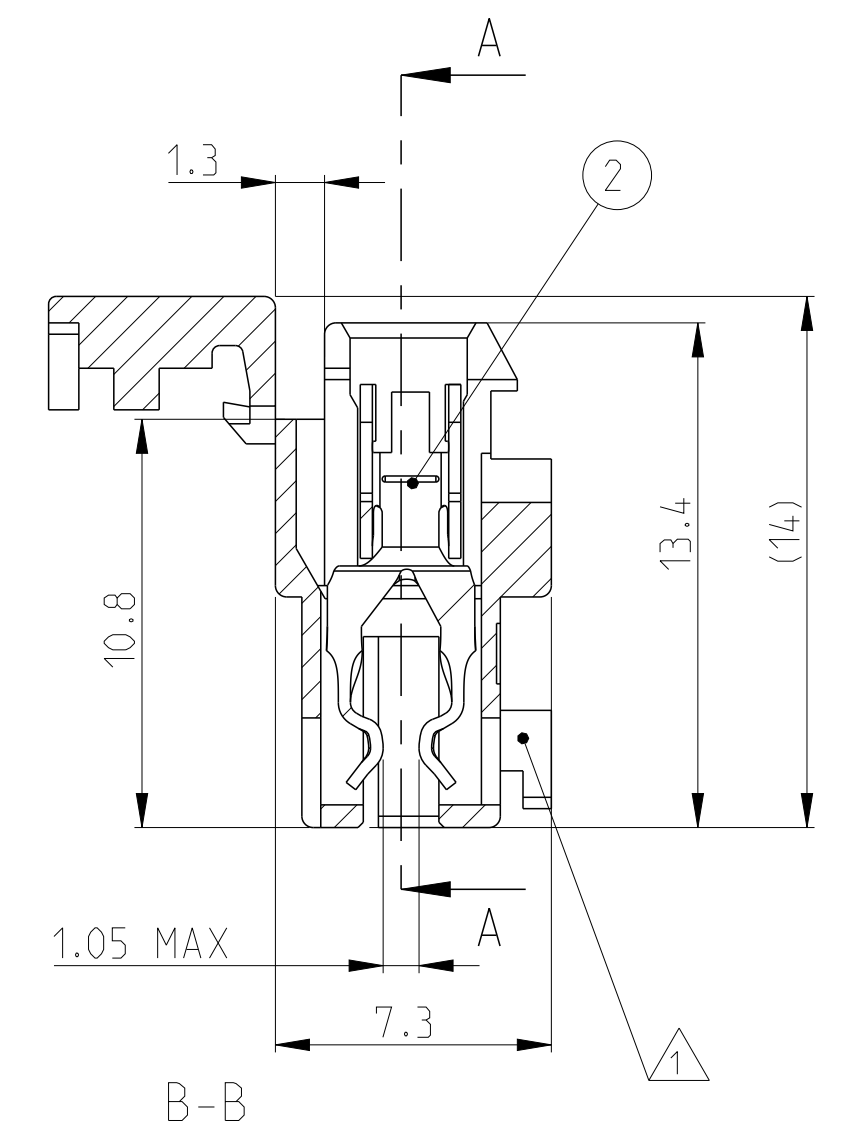
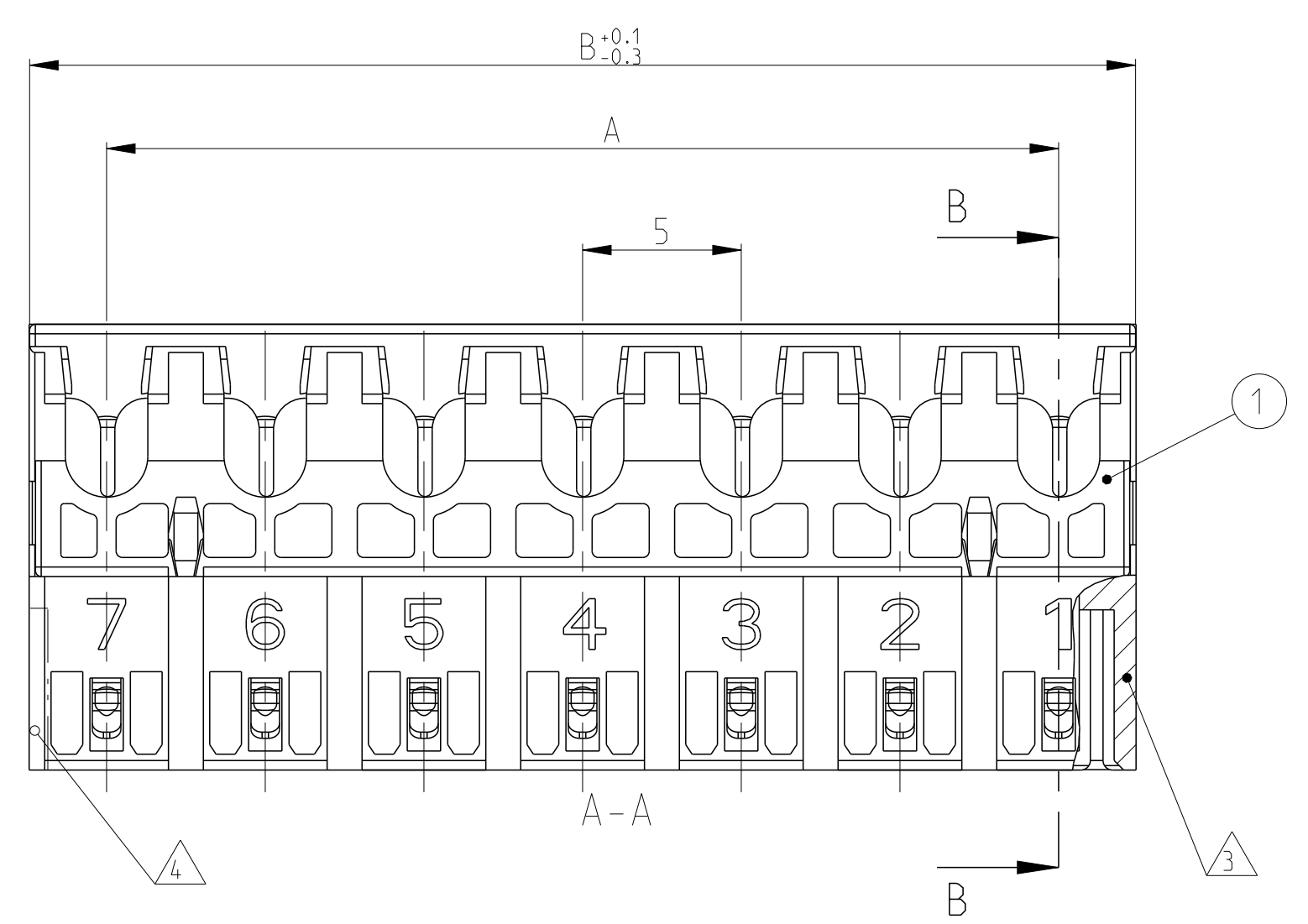
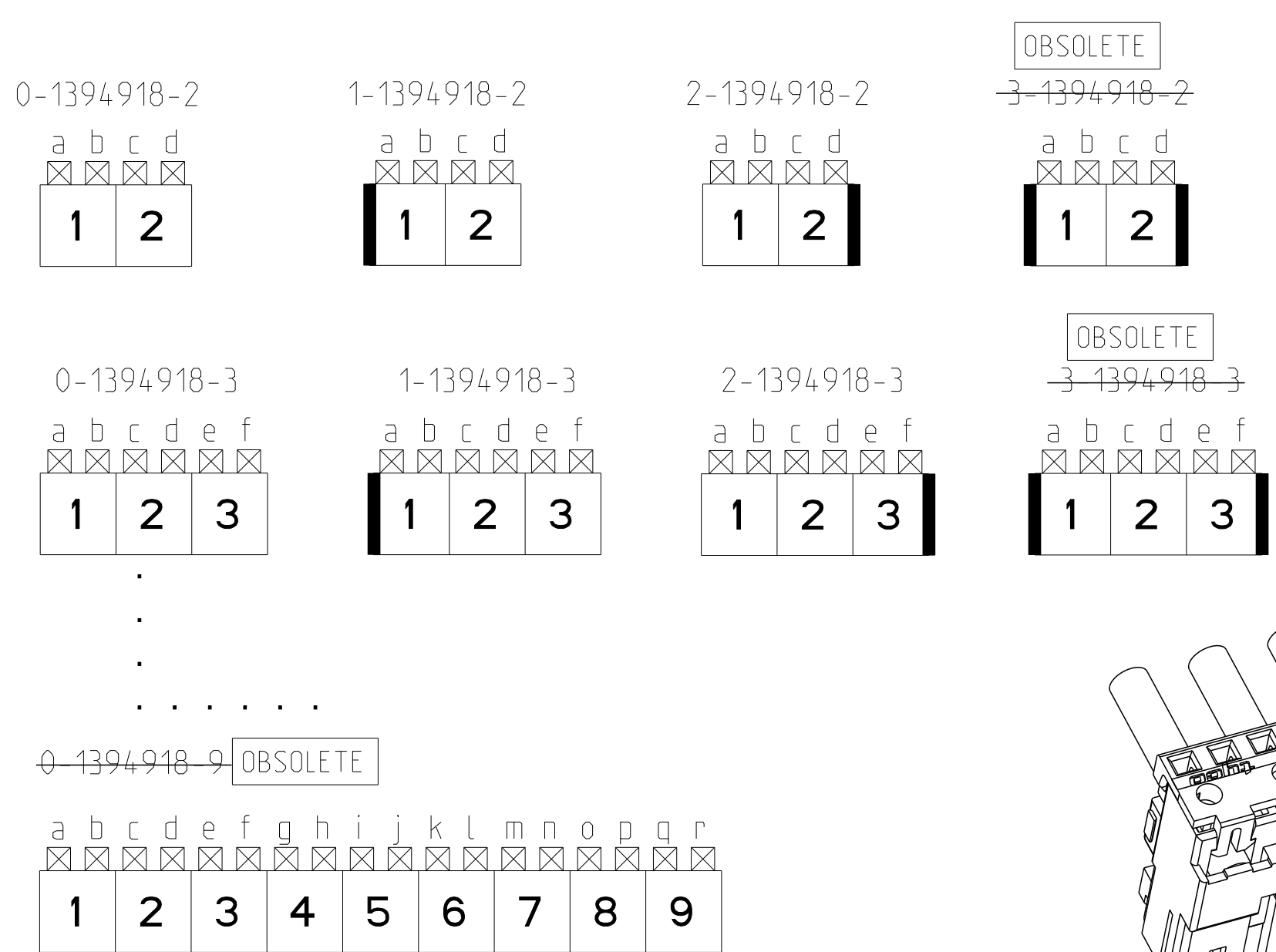


LOC	DIST	REVISIONS			
P	LTN	DESCRIPTION	DATE	DWN	APVD
F2	ECR-17-006237		03MAY2017	IZ	RR
F3	ECR-17-006579		26MAY2017	IZ	RR
F4	ECR-19-014180		10OCT2019	MP	FL
F5	REVISED PER ECR-20-011072		10AUG2020	BDA	W W

PCB LAYOUT KEYED / CONNECTED ONLY WITH ADDITIONAL FRAME  
Leiterplattenanschluss kodiert / nur in Verbindung mit zusätzlichem Rahmen



KEYING PLAN (VIEW Z)  
Kodierschema (Ansicht Z)



- 12 PART NOT YET RELEASED FOR PRODUCTION
- 11 OBSOLETE
- 10 TE LOGO
- 9 INCLUSIVE COPPER CLADDING:  
Inklusive Kupferkaschierung:
- 8 PCB PREFERABLY CHAMFERED.  
Leiterplatte vorzugsweise angefast.
- 7 SLOT FOR SIDE KEYING, 4, 4.  
Schlitz fuer Seitenkodierung, 4, 4.
- 6 COLOUR MARKING ON TOP OF HOUSING OPTIONAL ON TERMINATION MACHINE  
Farbmarkierung auf Gehäuseoberseite optional an Verarbeitungsmaschine
- 5 MATING PART: PCB (WITH FRAMES ACC. RAST 2.5 E.G. PN 964 575/576)  
TABHEADER PN 1 534 787/788  
Passender Gegenstecker: Leiterplatten (mit Rahmen nach RAST 2.5 z.B. 964 575/576)  
Tabwannen Nr. 1 534 787/788
- 4 SIDE KEYING, ON LAST CAVITY  
Seitenkodierung, an letzter Kammer
- 3 SIDE KEYING, ON CAVITY 1  
Seitenkodierung, an Kammer 1
- 2 WIRE RANGE: 0.35-0.75 mm<sup>2</sup>  
Drahtgrößenbereich: 0.35-0.75 mm<sup>2</sup>
- 1 KEYING RIBS; CUTTING WITH TERMINATION MACHINE POSSIBLE  
Kodierrippe; Schneiden auf der Verarbeitungsmaschine moeglich

POS.	DIM A	DIM B	KEYING	KEYING	TE P/N
9	40	44.9	-	-	0-1394918-9 <sup>11</sup>
8	35	39.9	-	-	0-1394918-8 <sup>11</sup>
7	30	34.9	-	-	0-1394918-7
6	25	29.9	-	-	0-1394918-6
5	20	24.9	-	-	0-1394918-5
4	15	19.9	-	-	0-1394918-4
3	10	14.9	X	X	3-1394918-3 <sup>11</sup>
3	10	14.9	X	-	2-1394918-3
3	10	14.9	-	X	1-1394918-3
3	10	14.9	-	-	0-1394918-3
2	5	9.9	X	X	3-1394918-2 <sup>11</sup>
2	5	9.9	X	-	2-1394918-2
2	5	9.9	-	X	1-1394918-2
2	5	9.9	-	-	0-1394918-2

2	SEE TABLE	CONTACT	CuNiSi	TINNED
1		HOUSING	PA 6.6 UL94 V-0	GREY
POS.	TE P/N	DESCRIPTION	MATERIAL	COLOUR/FINISH

THIS DRAWING IS A CONTROLLED DOCUMENT. DIMENSIONS: mm. TOLERANCES UNLESS OTHERWISE SPECIFIED: 0 PLC ±0.2, 1 PLC ±0.2, 2 PLC ±0.2, 3 PLC ±0.2, 4 PLC ±, ANGLES ±°. MATERIAL: -. FINISH: -. WEIGHT: -. CUSTOMER DRAWING.

DWN: A. Weber, 10MAY2001. CHK: B. Schnaubelt, 10MAY2001. APVD: T. Klenner, 10MAY2001.

NAME: AMP DUOPLUG POWER FEMALE CONNECTOR (STANDARD VERSION). PRODUCT SPEC: 108-18780. APPLICATION SPEC: 114-18458.

SIZE: A1. CAGE CODE: 00779. DRAWING NO: C=1394918. RESTRICTED TO: REV F5.

SCALE: 5:1. SHEET: 1 OF 1.

## X-ON Electronics

Largest Supplier of Electrical and Electronic Components

*Click to view similar products for [Headers & Wire Housings](#) category:*

*Click to view products by [TE Connectivity](#) manufacturer:*

Other Similar products are found below :

[892-18-020-10-001101](#) [58102-G61-06LF](#) [582553-1](#) [0009485154](#) [009176003701906](#) [0050291907](#) [LY20-4P-DT1-P1E-BR](#) [02.125.8002.8](#)  
[609-3404](#) [61062-3](#) [61082-181009](#) [622-3653LF](#) [63453-116](#) [636-1030](#) [636-1427](#) [636-3427](#) [636-4007](#) [641938-9](#) [641991-4](#) [644827-2](#) [65817-](#)  
[010LF](#) [65817-015LF](#) [65863-015LF](#) [66207-023LF](#) [67095-007LF](#) [67601157](#) [68645-018](#) [68648-049](#) [70.362.1628.0](#) [70-4210](#) [70-4226B](#) [70-](#)  
[4853B](#) [707-5020](#) [707-5028](#) [71.350.2428.0](#) [71918-208LF](#) [71961-016LF](#) [733-134](#) [733-162](#) [754199-000](#) [760-3052](#) [79531-3000](#) [FCN-](#)  
[360C032-B](#) [FCN-367T-T012/H](#) [FCN-723D010/2](#) [80.063.4001.1](#) [800-90-010-10-002000](#) [801-43-002-10-013000](#) [801-43-006-10-002000](#)  
[801-93-011-10-001000](#)