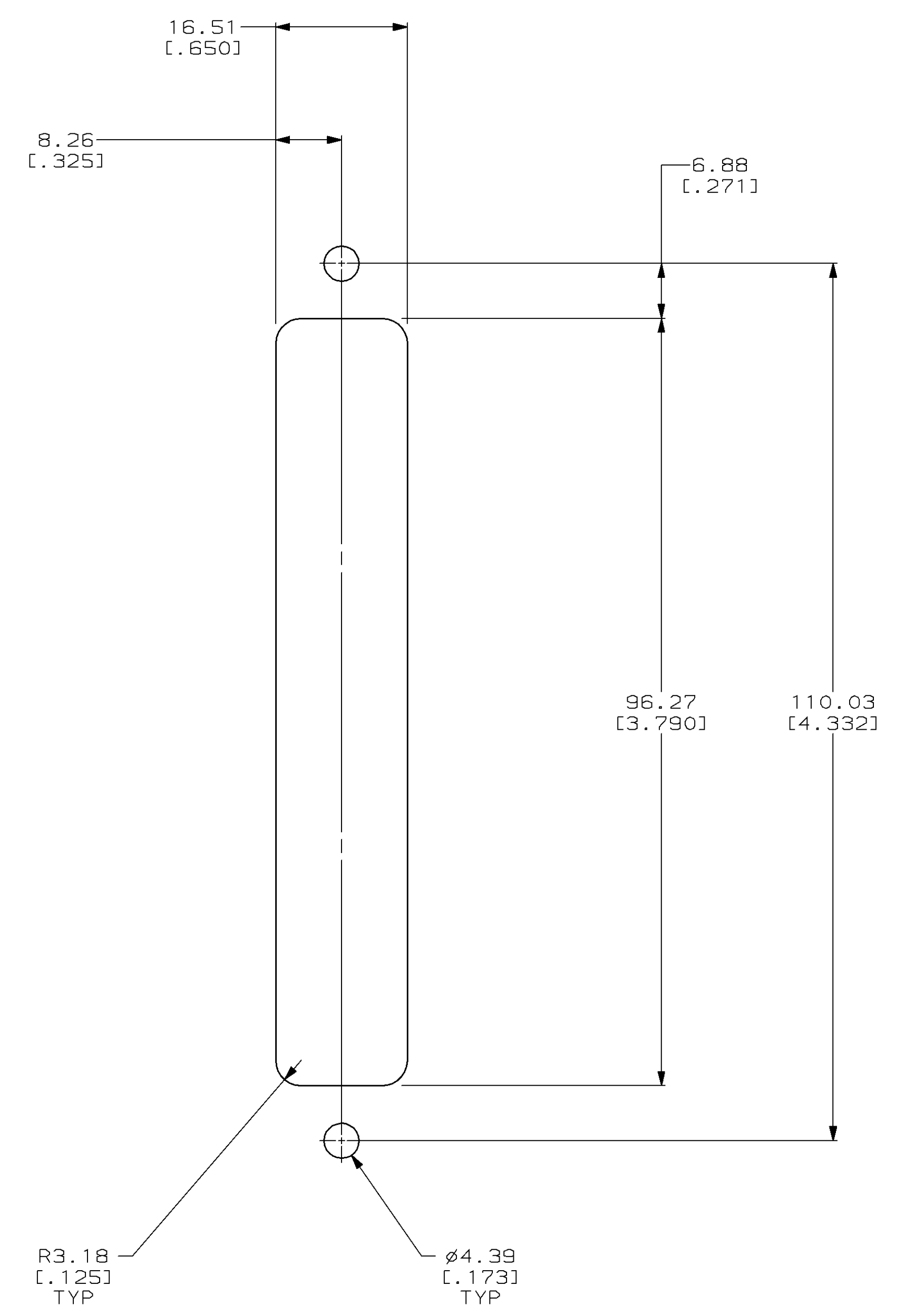
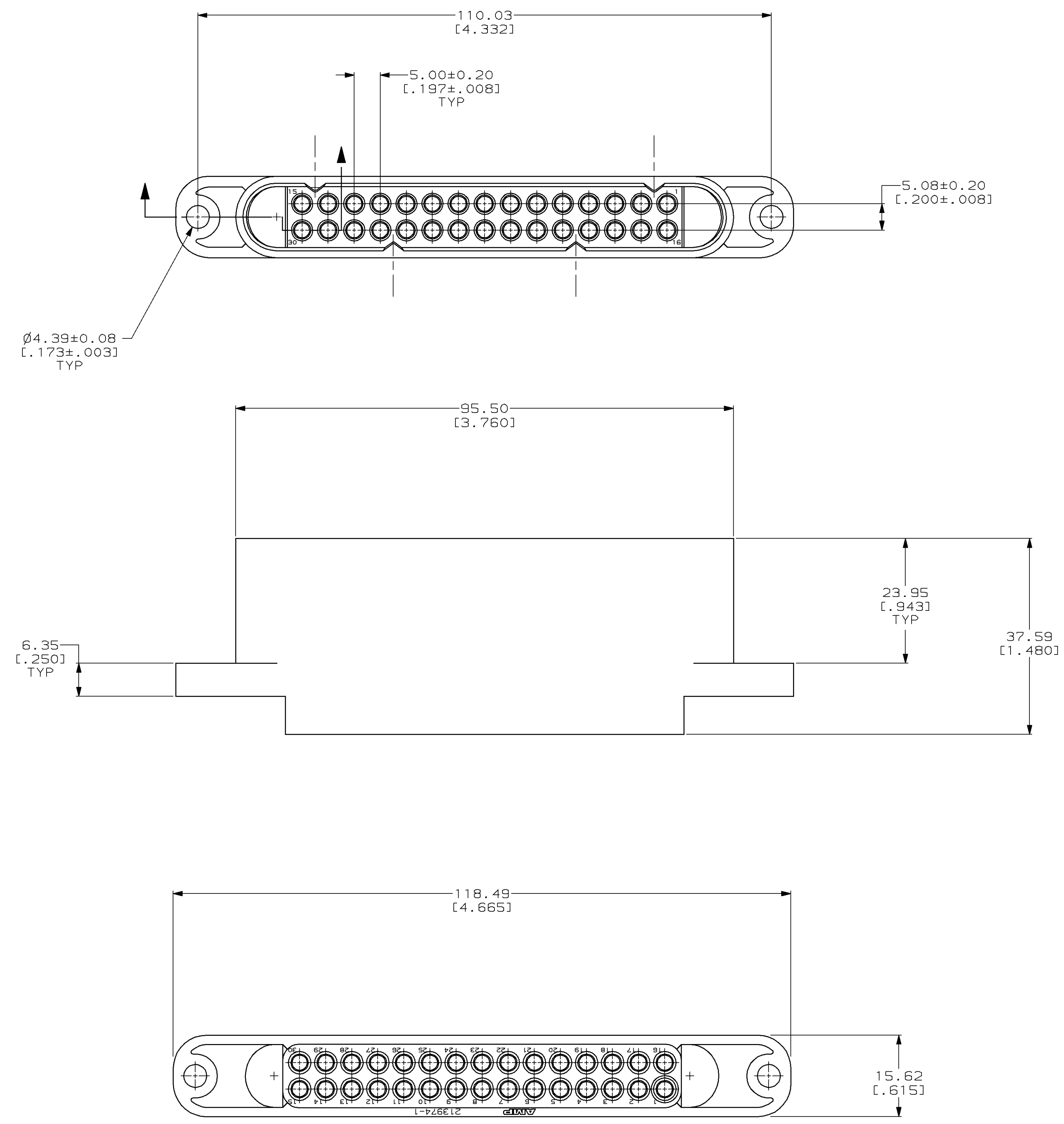


| LOC | DIST | REVISIONS | | | |
|-----|------|---------------------------------|-----------|-----|------|
| P | LTR | DESCRIPTION | DATE | DMN | APVD |
| 0 | | RLSE PER NPR 37 WAS 97-5018-4-1 | 15 MAY 97 | - | - |
| A | | REV PER EC 0320-15-98 | 26 JAN 98 | MB | MM |
| B | | REV PER EC 061C-35-98 | 14 APR 98 | PB | MM |

1. THIS HOUSING ACCEPTS TYPE III+ PIN CONTACTS.



RECOMMENDED PANEL CUTOUT

213974-1
 PART NUMBER

| | | | |
|--|---------------|--------------------------------|---|
| THIS DRAWING IS A CONTROLLED DOCUMENT. | | DMN C. OBERMAN 15 MAY 97 | AMP Incorporated Harrisburg, PA 17105-3508 |
| DIMENSIONS, mm (INCHES) | | CHK R. STONE 20 MAY 97 | APVD M. McALONIS 21 MAY 97 |
| TOLERANCES UNLESS OTHERWISE SPECIFIED: | | NAME | |
| 0 PLC | ± | PRODUCT SPEC | |
| 1 PLC | ± | 108-10033 | |
| 2 PLC | +0.13 (-0.05) | APPLICATION SPEC | |
| 3 PLC | ± | 114-10039 | |
| 4 PLC | ± | RESTRICTED TO | |
| ANGLES | ± | SIZE | CAGE CODE DRAWING NO |
| MATERIAL | FINISH | WEIGHT | A1 00779 C=213974 |
| POLYESTER, BLACK | - | CUSTOMER DRAWING | SCALE 2:1 SHEET 1 OF 1 REV B |

X-ON Electronics

Largest Supplier of Electrical and Electronic Components

Click to view similar products for [Headers & Wire Housings](#) category:

Click to view products by [TE Connectivity](#) manufacturer:

Other Similar products are found below :

[892-18-020-10-001101](#) [58102-G61-06LF](#) [582553-1](#) [0009485154](#) [009176003701906](#) [0050291907](#) [LY20-4P-DT1-P1E-BR](#) [02.125.8002.8](#)
[609-3404](#) [61062-3](#) [61082-181009](#) [622-3653LF](#) [63453-116](#) [636-1030](#) [636-1427](#) [636-3427](#) [636-4007](#) [641938-9](#) [641991-4](#) [644827-2](#) [65817-](#)
[010LF](#) [65817-015LF](#) [65863-015LF](#) [66207-023LF](#) [67095-007LF](#) [67601157](#) [68645-018](#) [68648-049](#) [70.362.1628.0](#) [70-4210](#) [70-4226B](#) [70-](#)
[4853B](#) [707-5020](#) [707-5028](#) [71.350.2428.0](#) [71918-208LF](#) [71961-016LF](#) [733-134](#) [733-162](#) [754199-000](#) [760-3052](#) [79531-3000](#) [FCN-](#)
[360C032-B](#) [FCN-367T-T012/H](#) [FCN-723D010/2](#) [80.063.4001.1](#) [800-90-010-10-002000](#) [801-43-002-10-013000](#) [801-43-006-10-002000](#)
[801-93-011-10-001000](#)