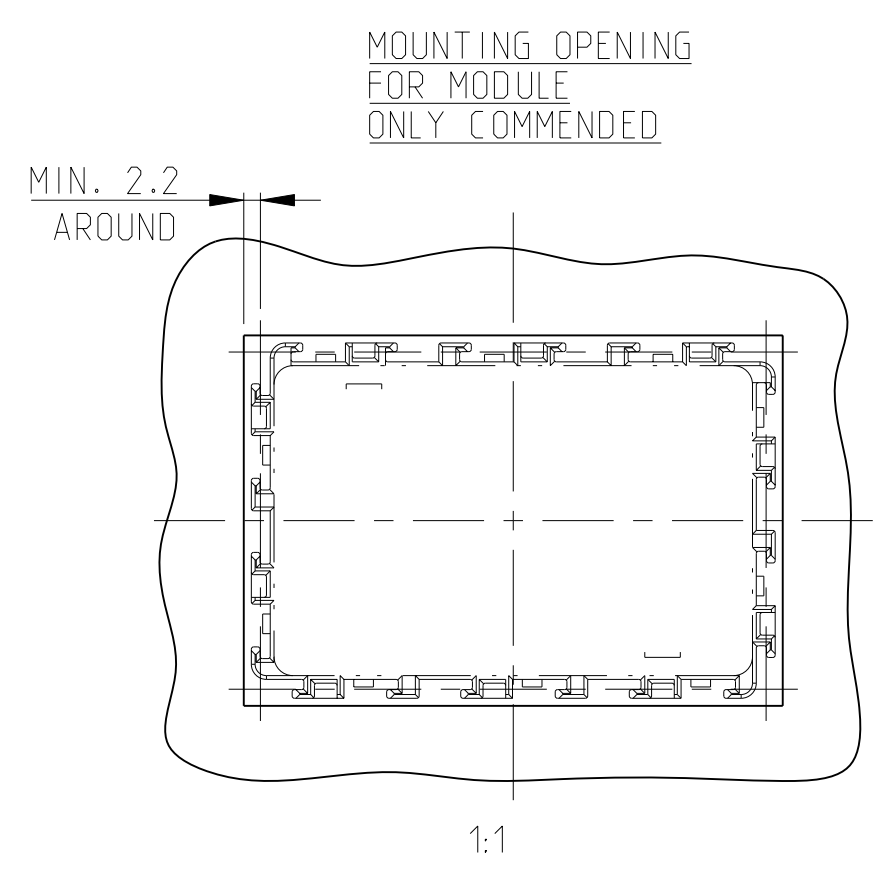
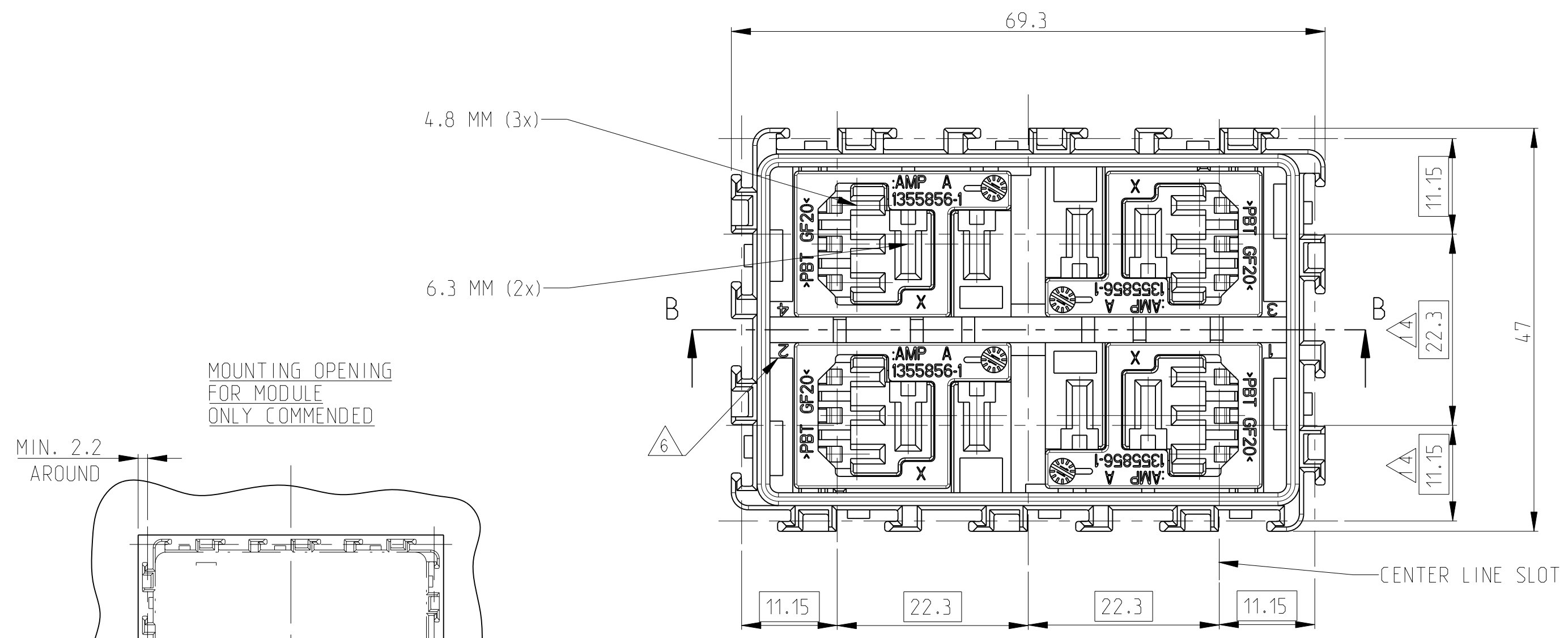
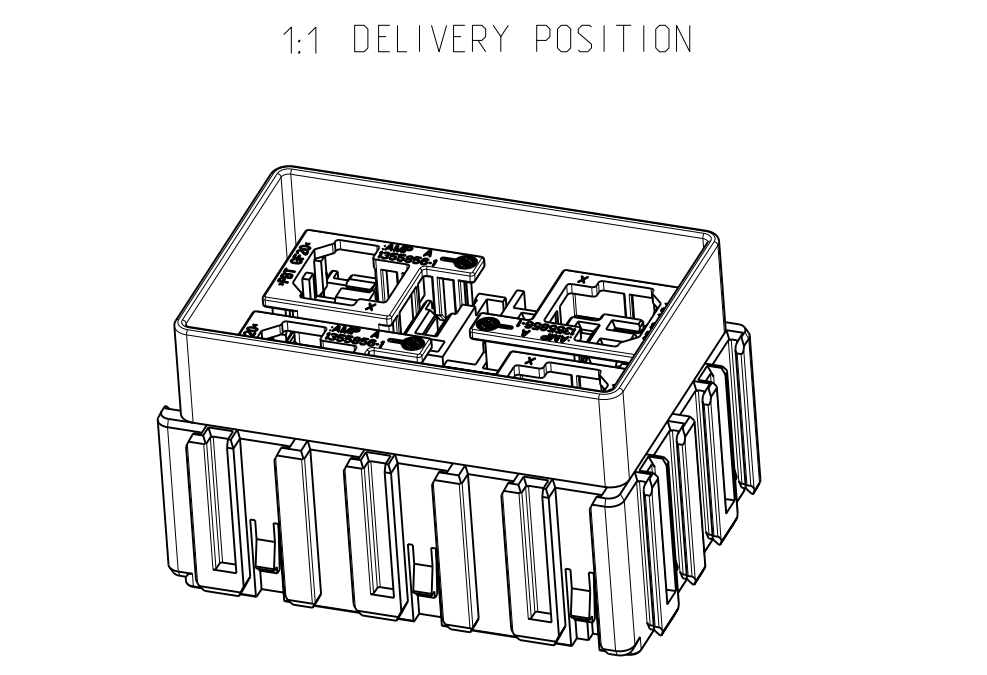
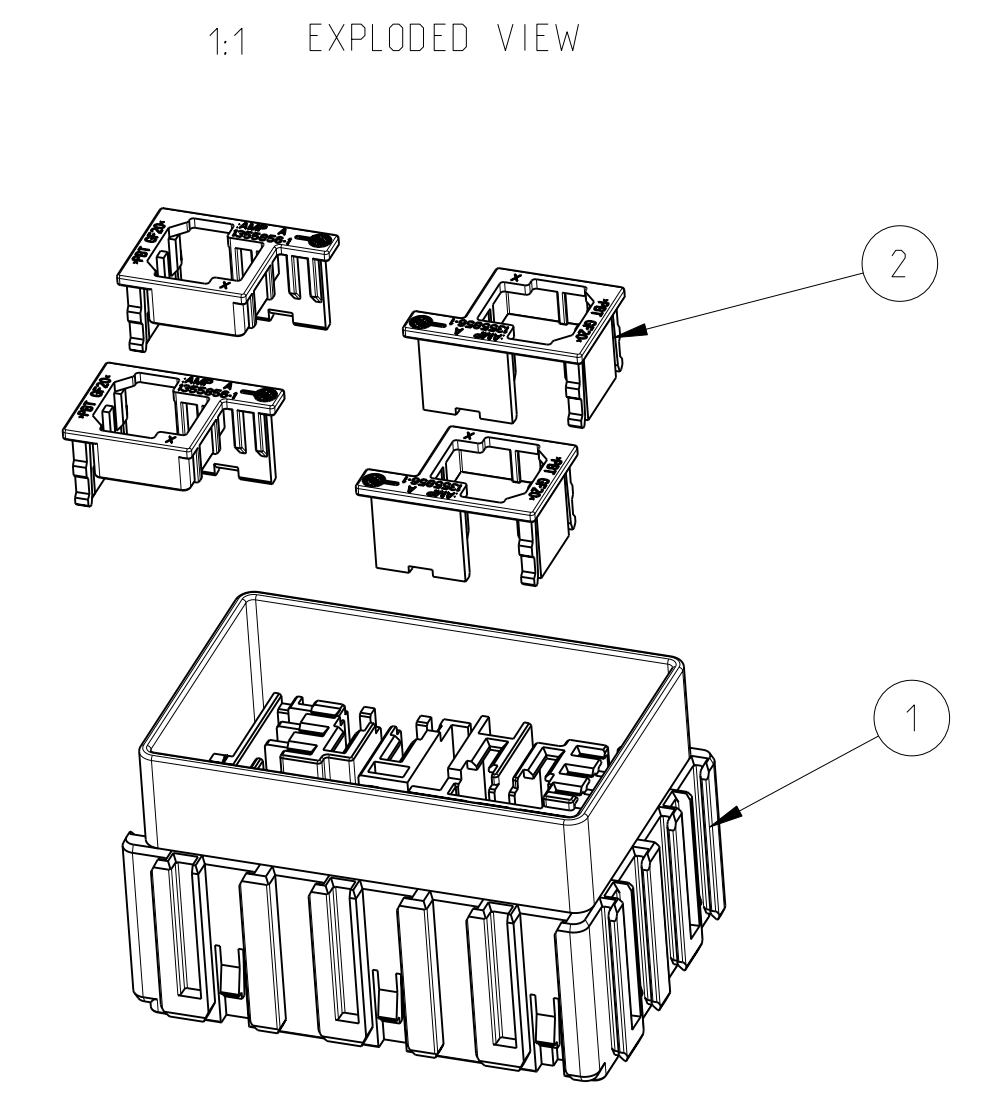
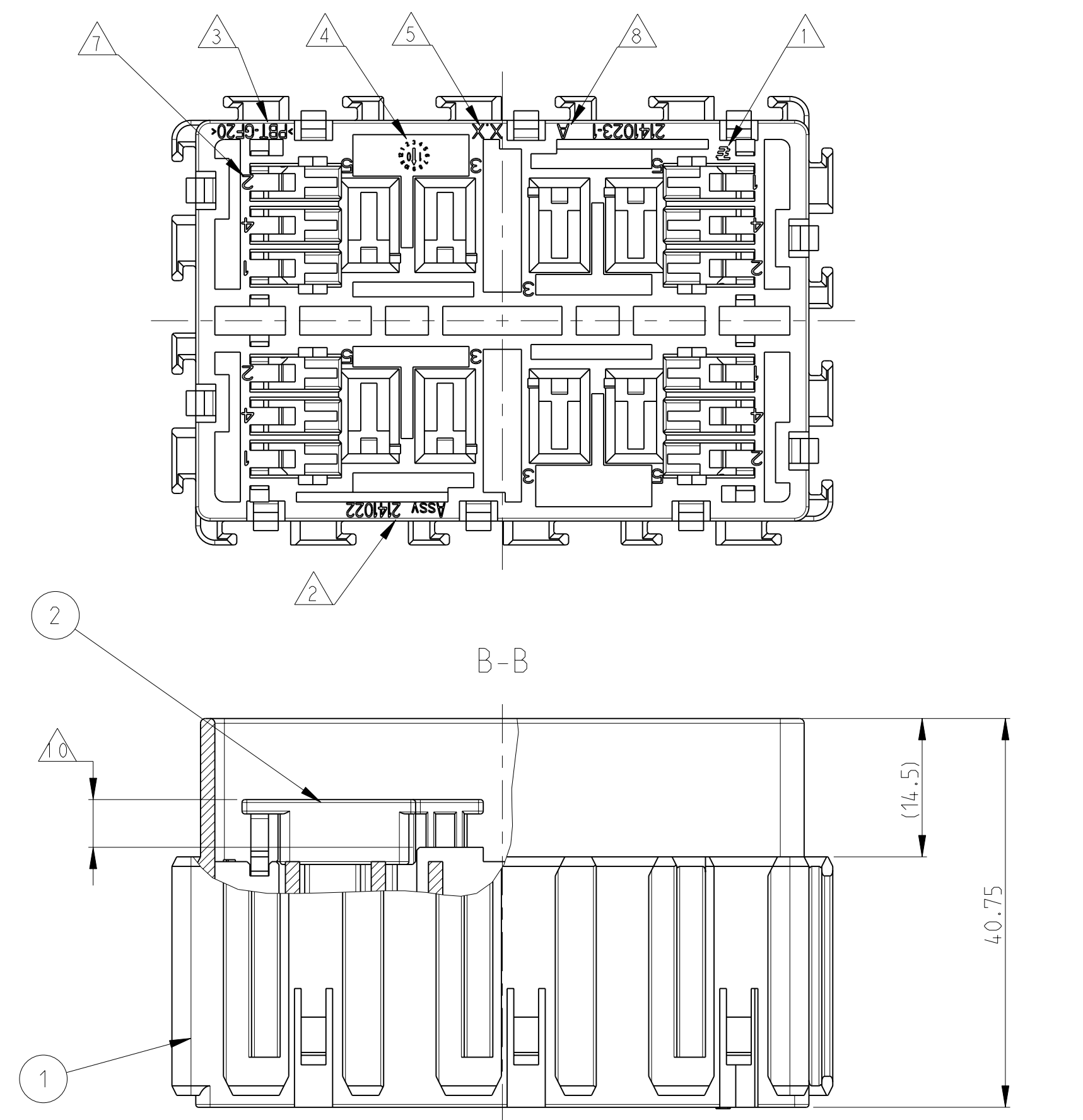


LOC	DIST	REVISIONS			
P	LTR	DESCRIPTION	DATE	DWN	APVD
A		NEW ASSY. NEW DRAWING	13SEP2010	Neu.	-
A1		SEE ECR-12-011721	28JUN2012	SK	RH



NOTES

- 1 TE LOGO
- 2 TE ORDER NUMBER
- 3 MATERIAL MARKING
- 4 PRODUCTION DATE
- 5 TOOL CAVITY MARKING
- 6 SLOT MARKING
- 7 CAVITY MARKING
- 8 REVISION NUMBER
- 9 PACKAGING: LAYERS IN CARD BOARD BOX
- 10 SPACER FOR ALL RELAYS IN PRE LATCHED POSITION
- 11 PARTS ARE TO BE FREE OF SCRATCHES, DISCOLORATION, SALT RESIDUE OR OTHER IMPERFECTIONS THAT MAY AFFECT FUNCTION OR FIT OF PART
- 12 FOR MORE OR ACTUAL INFORMATION ABOUT TERMINALS PLEASE CONTACT SUPPLIER OR TE
- 13 OVER VIEW PRODUCT GROUP SEE : 114-94092
- 14 SYSTEM PITCH DIMENSION'S FOR MULTIPLE PLUG IN SYSTEM
- 15 PLEASE NOTE: MAX. CURRENT CARRYING CAPACITY OF MODULE SEE: 108-94263

TE ORDER NO	TE ORDER NO	SUPPLIER	WIRE CODE	MATERIAL	FINISH
STRIP FORM	LOSE PIECE	MOLEX			
		33113-0006		Cu	TIN
2208342-1		33113-0005	14.16	Cu	TIN
2208342-2		33113-0003	18.20	Cu	TIN
		33113-0002		Cu	TIN
		33113-0001		Cu	TIN

RECOMMENDED TERMINAL SYSTEM: 4.8 MM

TE ORDER NO	TE ORDER NO	SUPPLIER	WIRE CODE	MATERIAL	FINISH
STRIP FORM	LOSE PIECE	LEAR			
		361730-YF200	(2)22 (2)24	Cu	PRE TIN PLATED
		362230-YF200	22-24	Cu	PRE TIN PLATED
2208343-1		361330-YF200	(1)16-(1)18 (2)20	Cu	PRE TIN PLATED
		361130-YF200	(2)14	Cu	PRE TIN PLATED
2208343-2		361430-YF200	14-16	Cu	PRE TIN PLATED
2208343-3		361030-YF200	10-12	Cu	PRE TIN PLATED

RECOMMENDED TERMINAL SYSTEM: 6.3 MM

USED WITH:

ALLOCATED FOR: MICRO RELAY 20A MAX.

NOMINAL VOLTAGE SYSTEM: 12V

TEMPERATURE CLASS: -40 TO 85 °C

VIBRATION CLASS: 1. ON BODY OR CHASSIS

SEALED CLASS: 0

ONLY BASIC DATA FOR DETAIL SEE PRODUCT SPEC

214-1022-1	A	63.94	2	4x	SPACER	PBT-GF20	RED	2
TE ASSY NO.	REV	WEIGHT (g)	POS.	QTY.	DESCRIPTION	MATERIAL	COLOR SURFACE	ITEM NO.
			1	1x	HOUSING	PBT-GF20	BLACK	1

THIS DRAWING IS A CONTROLLED DOCUMENT.

DIMENSIONS: mm	TOLERANCES UNLESS OTHERWISE SPECIFIED:	DWN: H. NEUMEUER 13SEP2010	CHK: R. HECKER 13SEP2010	APVD: S. MUMMER 13SEP2010	NAME: MICRO RELAY MODULE 4POS ASSY
0 PLC ±0.5	1 PLC ±0.5	2 PLC ±0.5	3 PLC ±0.5	4 PLC ±0.5	114-94090
ANGLES ±0.2°	FINISH SEE TABLE	WEIGHT SEE TABLE	CUSTOMER DRAWING	SCALE 1:1	SHEET 1 OF 1

TE Connectivity

RESTRICTED TO

## X-ON Electronics

Largest Supplier of Electrical and Electronic Components

*Click to view similar products for [Automotive Relays](#) category:*

*Click to view products by [TE Connectivity](#) manufacturer:*

Other Similar products are found below :

[7-1414968-8](#) [7-1617345-6](#) [9-1617516-5](#) [G5CE1ASIDC12](#) [1393204-2](#) [1393302-3](#) [13Z99A115-0074](#) [1432872-1](#) [AR4-15F11-S01](#) [AR4-15H11](#)  
[1617057-2](#) [1617058-6](#) [1617518-5](#) [2-1617057-2](#) [2-1617057-6](#) [2-1617058-3](#) [CB1F-M-12V-H15](#) [898H-1AH-D-001-12VDC](#) [AR4-11F11](#)  
[AR4-15F11](#) [AR4-41F11](#) [24198-1](#) [4-1617057-0](#) [41FZ-200ACG-BSL](#) [5-1616920-2](#) [5-1617052-9](#) [5407-0011-HS](#) [CB1AF-M-12V-H59](#) [5-](#)  
[1617346-8](#) [103-1AH-C-12VDC](#) [V23134A1052X299](#) [6-1393302-1](#) [897H-1AH-D-R1-U01-12VDC](#) [FTR-P3CP024W1-06](#) [1-1617057-8](#) [3-](#)  
[1393305-1](#) [5436-0001-HS](#) [V23086-R1851-A502](#) [V23136-A0004-X075](#) [898H-1AH-D1SW-R1-12VDC](#) [RH4C1P2607](#) [RE031005](#)  
[V23134M0052G242](#) [1393204-1](#) [23234B0001X001-EV-144](#) [AZ979-1A-24D](#) [2-1904020-1](#) [V23134B0052C642](#) [V23134B0053C642](#) [V23234-](#)  
[A1001-X036](#)