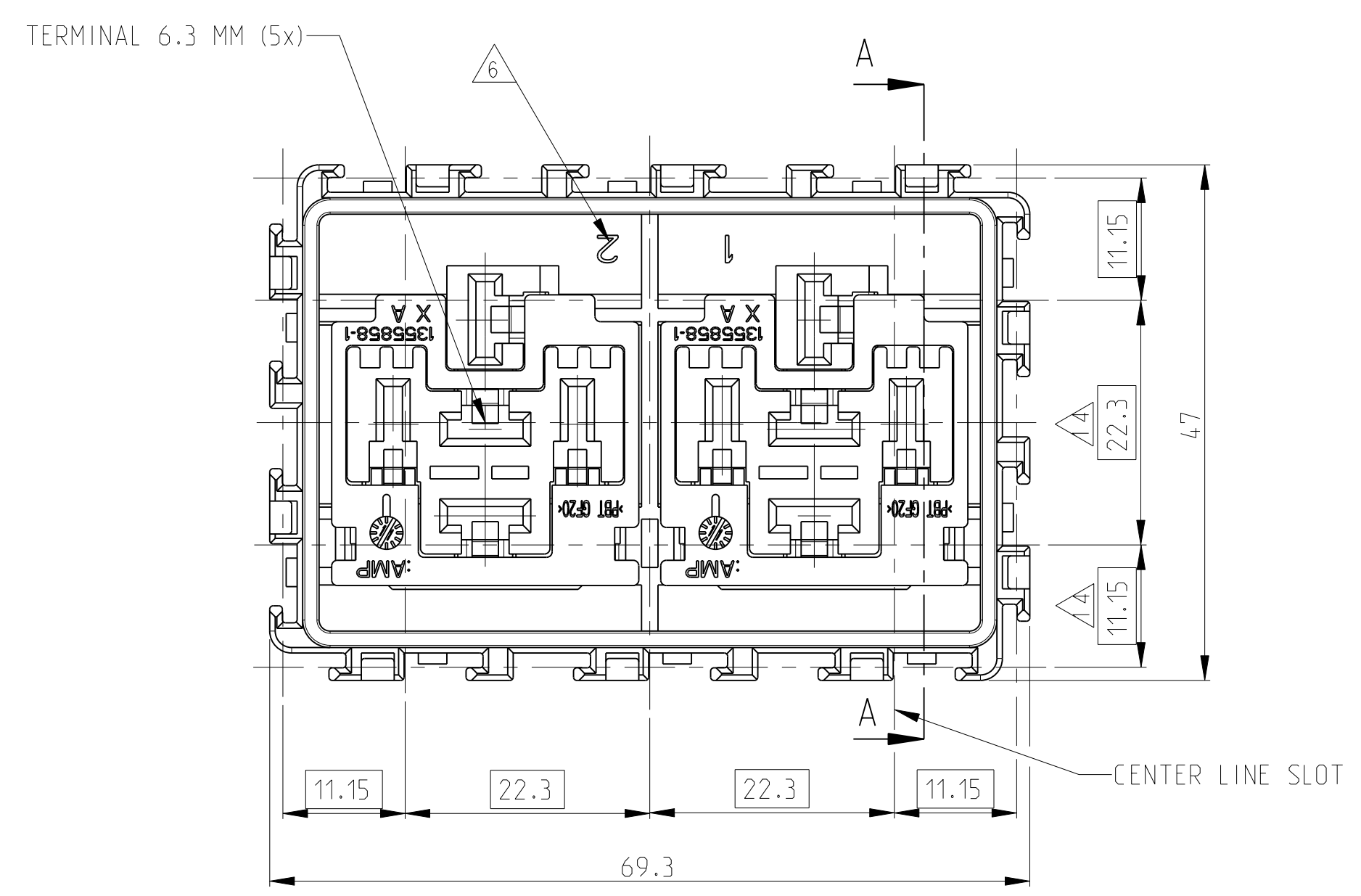
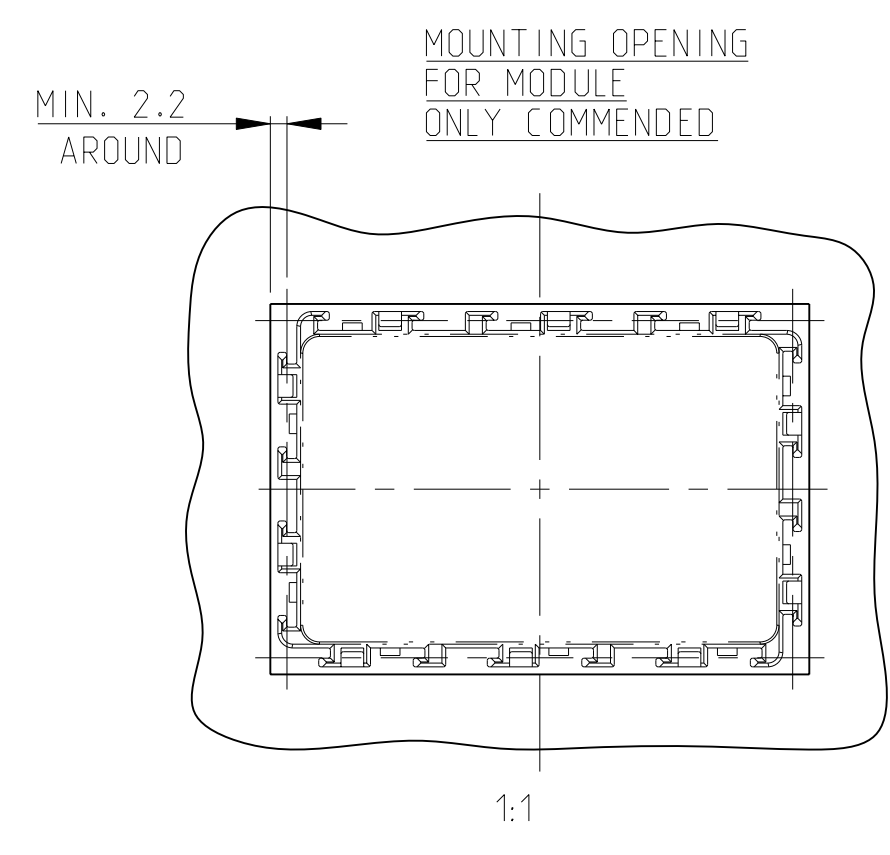
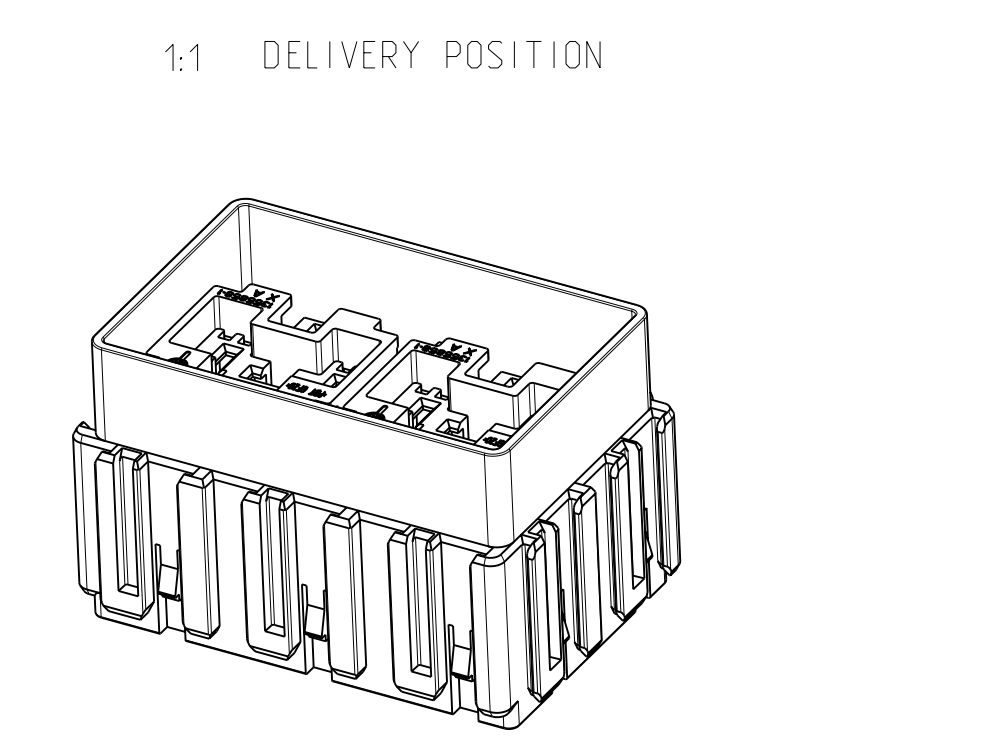
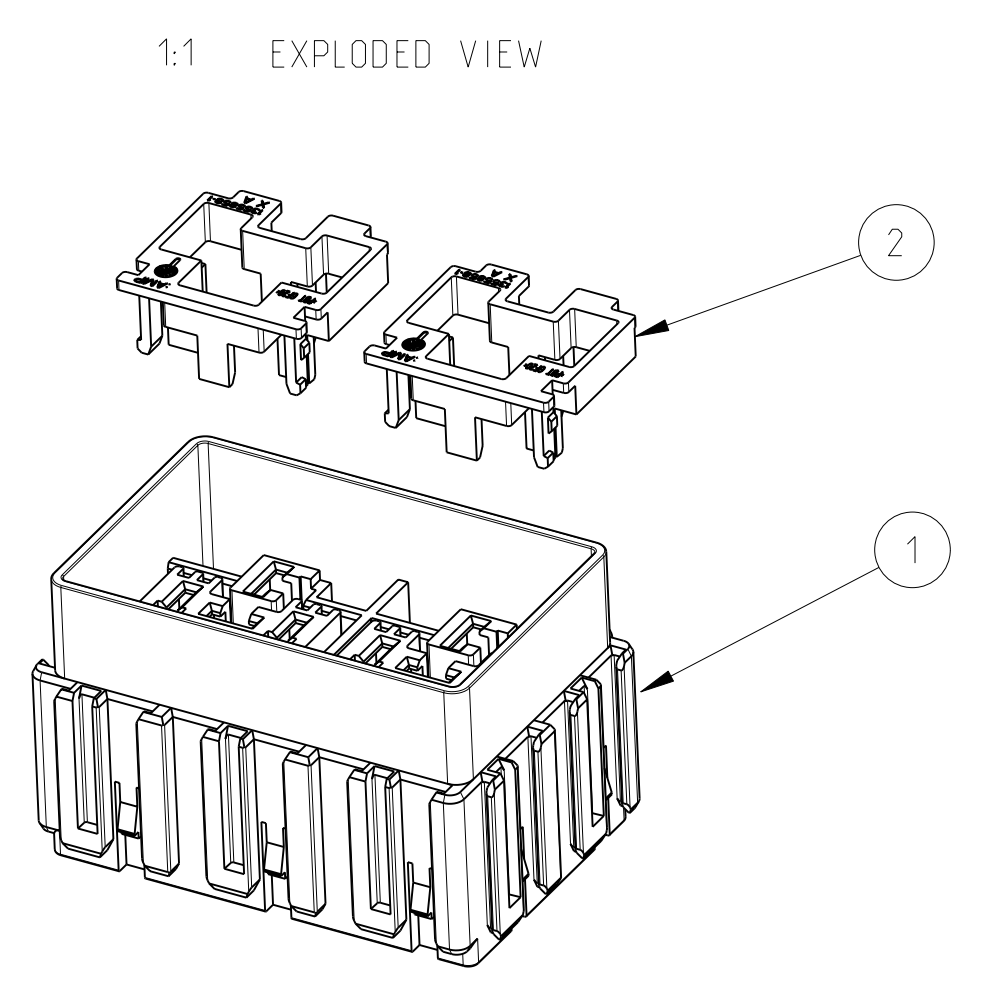
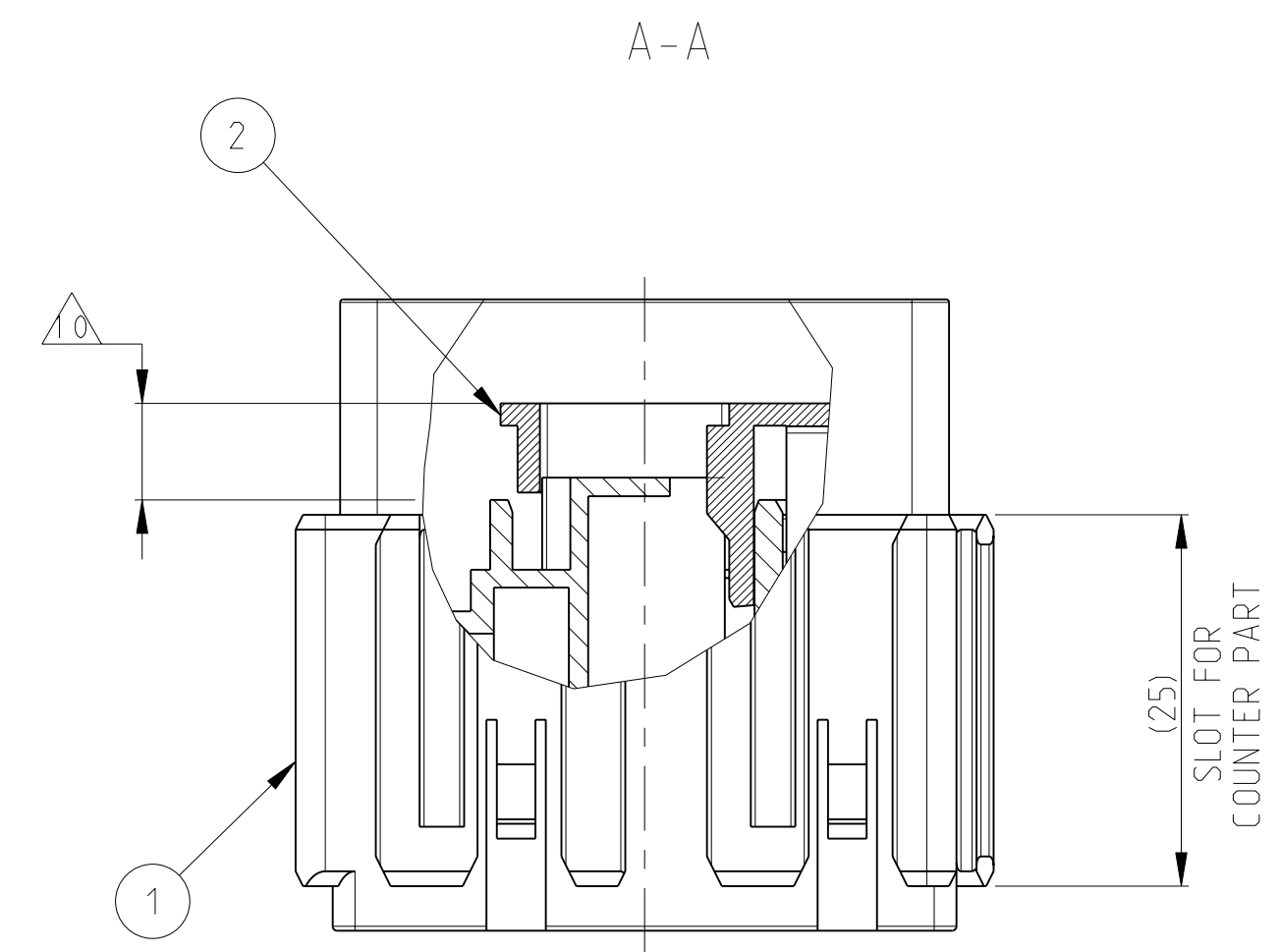
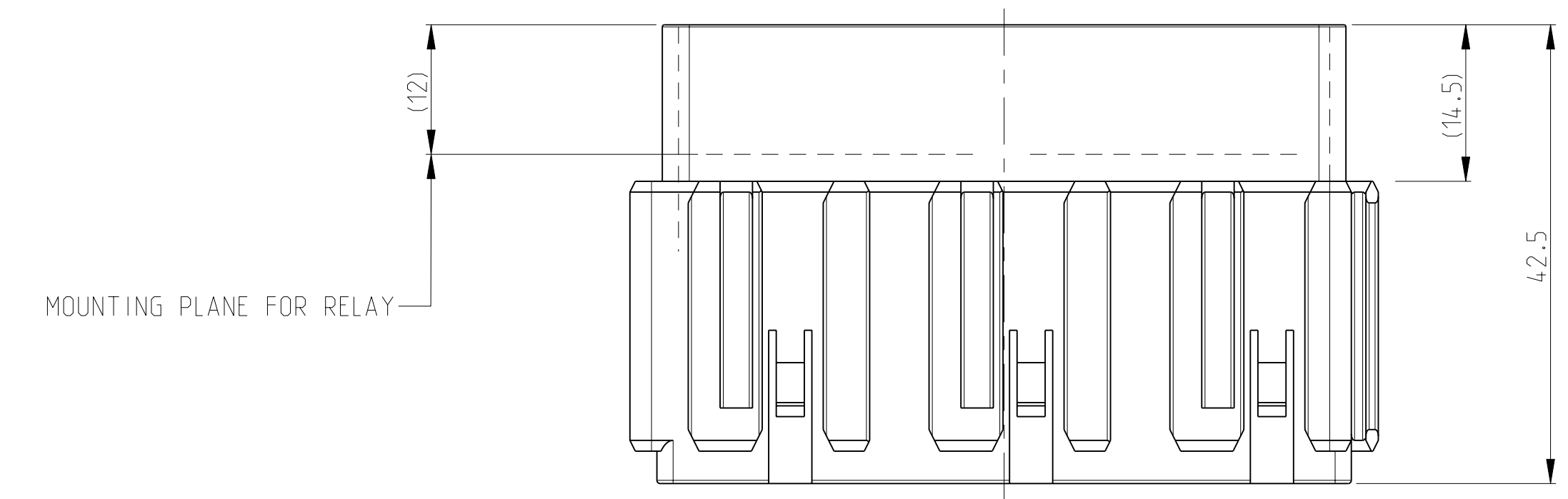
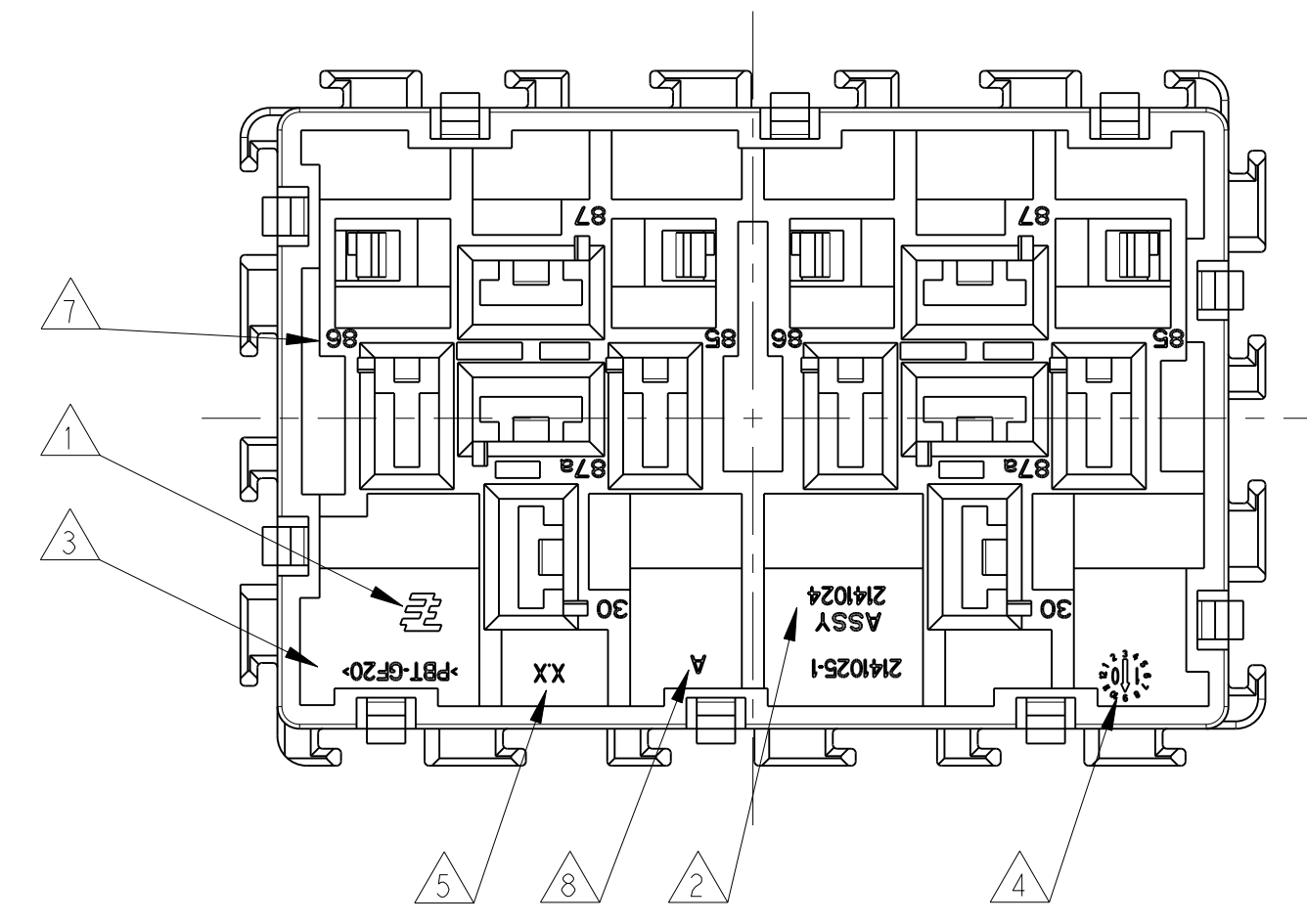


LOC	DIST	REV	DATE	BY	APPV
A1	-	A	13SEP2010	Neu.	-
		A1	28JUN2012	SK	RH



NOTES

- 1 TE LOGO
- 2 TE ORDER NUMBER
- 3 MATERIAL MARKING
- 4 PRODUCTION DATE
- 5 TOOL CAVITY MARKING
- 6 SLOT MARKING
- 7 CAVITY MARKING
- 8 REVISION NUMBER
- 9 PACKAGING: LAYERS IN CARD BOARD BOX
- 10 SPACER FOR ALL RELAYS IN PRE LATCHED POSITION
- 11 PARTS ARE TO BE FREE OF SCRATCHES DISCOLORATION, SALT RESIDUE OR OTHER IMPERFECTIONS THAT MAY AFFECT FUNCTION OR FIT OF PART
- 12 FOR MORE OR ACTUAL INFORMATION ABOUT TERMINALS PLEASE CONTACT SUPPLIER OR TE
- 13 OVER VIEW PRODUCT GROUP SEE : 114-94092
- 14 SYSTEM PITCH DIMENSION'S FOR MULTIPLE PLUG IN SYSTEM
- 15 PLEASE NOTE: MAX. CURRENT CARRYING CAPACITY OF MODULE SEE: 108-94263

TE ORDER NO	TE ORDER NO	SUPPLIER	WIRE CODE	MATERIAL	FINISH
STRIP FORM	LOSE PIECE	LEAR			
		361730-YF200	(2)22 (2)24	Cu	PRE TIN PLATED
		362230-YF200	22-24	Cu	PRE TIN PLATED
		361830-YF200	18-20	Cu	PRE TIN PLATED
2208343-1		361330-YF200	(1)16+(1)18 (2)20	Cu	PRE TIN PLATED
		361130-YF200	(2)14	Cu	PRE TIN PLATED
2208343-2		361430-YF200	14-16	Cu	PRE TIN PLATED
2208343-3		361030-YF200	10-12	Cu	PRE TIN PLATED

RECOMMENDED TERMINAL SYSTEM: 6.3 MM

USED WITH:
ALLOCATED FOR: MINI RELAY 40A MAX.
NOMINAL VOLTAGE SYSTEM: 12V
TEMPERATURE CLASS: -40 TO 85 °C
VIBRATION CLASS: 1, ON BODY OR CHASSIS
SEALED CLASS: 0
ONLY BASIC DATA FOR DETAIL SEE PRODUCT SPEC

2141024-1	A	63.04	2	2x	SPACER	PBT-GF20	RED	2
			1	1x	HOUSING	PBT-GF20	BLACK	1

THIS DRAWING IS A CONTROLLED DOCUMENT.

DIMENSIONS: mm	TOLERANCES UNLESS OTHERWISE SPECIFIED:	0 PLC ±0.5	1 PLC ±0.5	2 PLC ±0.5	3 PLC ±0.5	4 PLC ±0.5	ANGLES ±0.2°	FINISH SEE TABLE
----------------	--	------------	------------	------------	------------	------------	--------------	------------------

OWN: R. NEUMEUER	13SEP2010	CHK: R. HECKER	13SEP2010	DES: MUMPER	13SEP2010	NAME: MINI RELAY MODULE
PRODUCT SPEC: 108-94263	APPLICATION SPEC: 114-94090	WEIGHT: SEE TABLE	SCALE: 1:1	SHEET: 1 OF 1	REV: A1	RESTRICTED TO: -

TE Connectivity

X-ON Electronics

Largest Supplier of Electrical and Electronic Components

Click to view similar products for [Automotive Relays](#) category:

Click to view products by [TE Connectivity](#) manufacturer:

Other Similar products are found below :

[7-1414968-8](#) [7-1617345-6](#) [9-1617516-5](#) [G5CE1ASIDC12](#) [1393204-2](#) [1393302-3](#) [13Z99A115-0074](#) [1432872-1](#) [AR4-15F11-S01](#) [AR4-15H11](#)
[1617057-2](#) [1617058-6](#) [1617518-5](#) [2-1617057-2](#) [2-1617057-6](#) [2-1617058-3](#) [CB1F-M-12V-H15](#) [898H-1AH-D-001-12VDC](#) [AR4-11F11](#)
[AR4-15F11](#) [AR4-41F11](#) [24198-1](#) [4-1617057-0](#) [41FZ-200ACG-BSL](#) [5-1616920-2](#) [5-1617052-9](#) [5407-0011-HS](#) [CB1AF-M-12V-H59](#) [5-](#)
[1617346-8](#) [103-1AH-C-12VDC](#) [V23134A1052X299](#) [6-1393302-1](#) [897H-1AH-D-R1-U01-12VDC](#) [FTR-P3CP024W1-06](#) [1-1617057-8](#) [3-](#)
[1393305-1](#) [5436-0001-HS](#) [V23086-R1851-A502](#) [V23136-A0004-X075](#) [898H-1AH-D1SW-R1-12VDC](#) [RH4C1P2607](#) [RE031005](#)
[V23134M0052G242](#) [1393204-1](#) [23234B0001X001-EV-144](#) [AZ979-1A-24D](#) [2-1904020-1](#) [V23134B0052C642](#) [V23134B0053C642](#) [V23234-](#)
[A1001-X036](#)