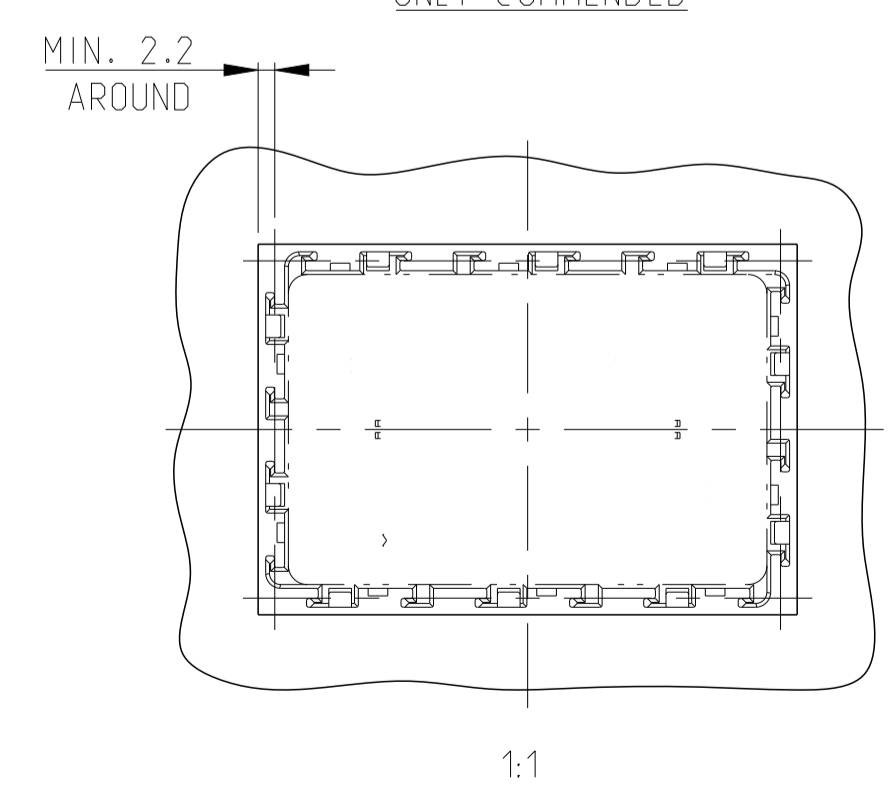
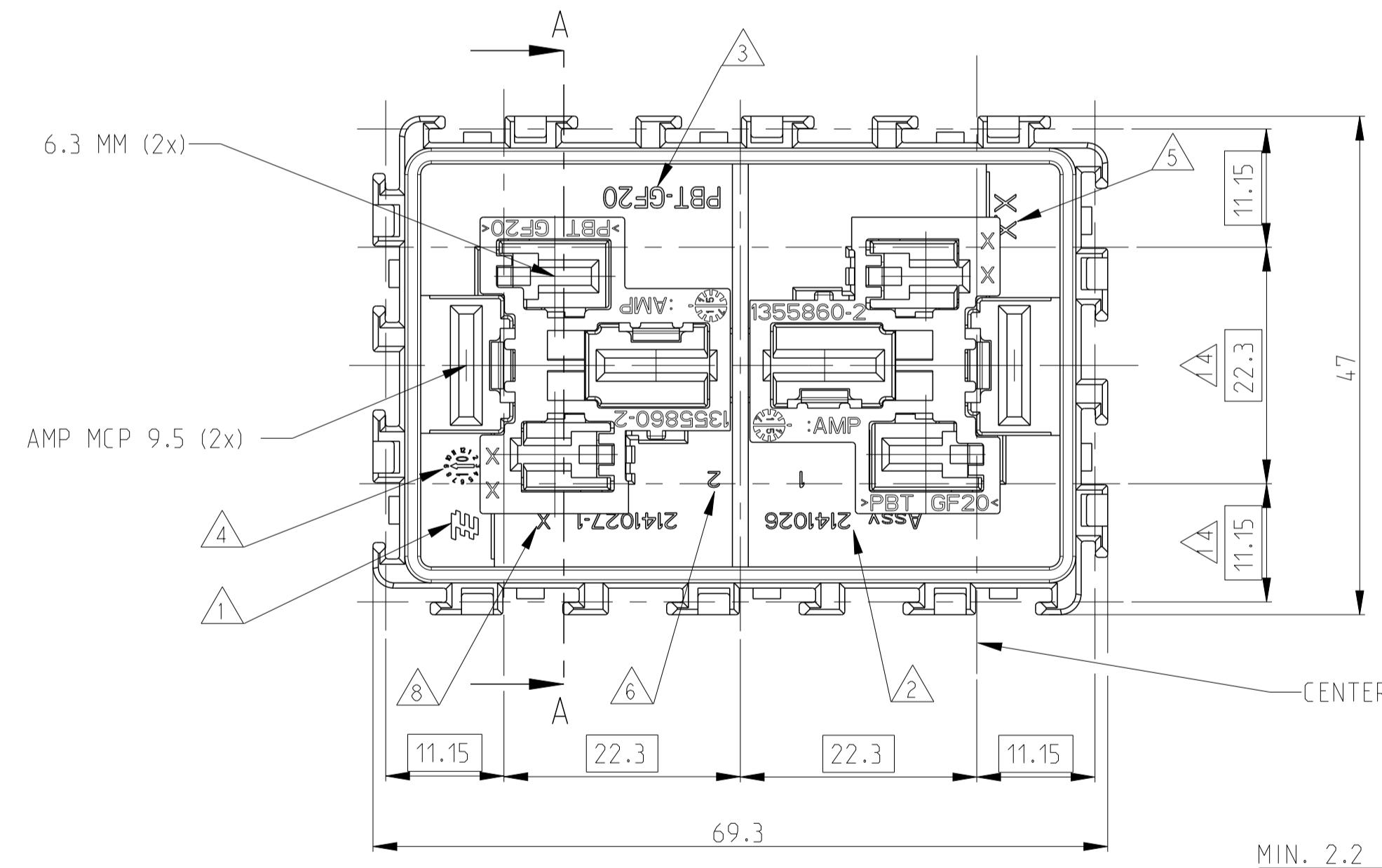
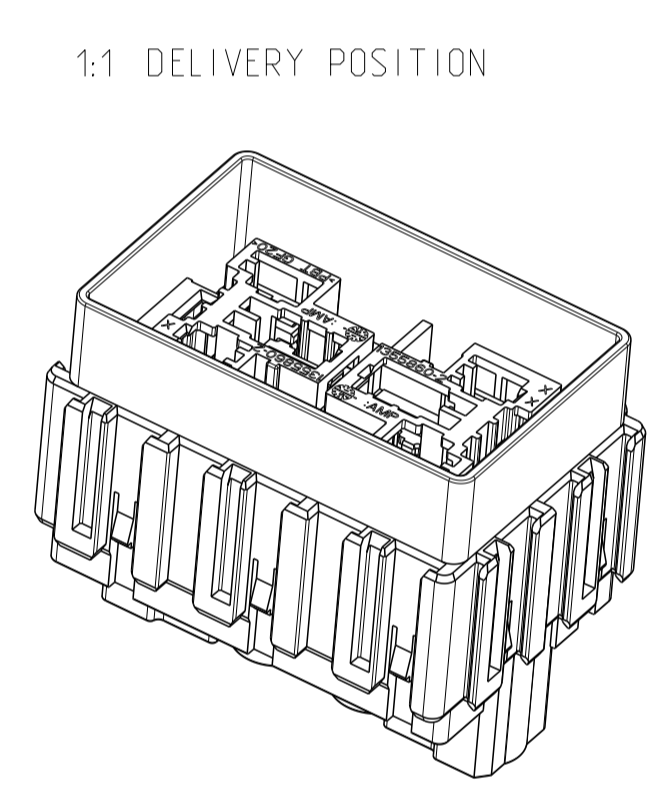
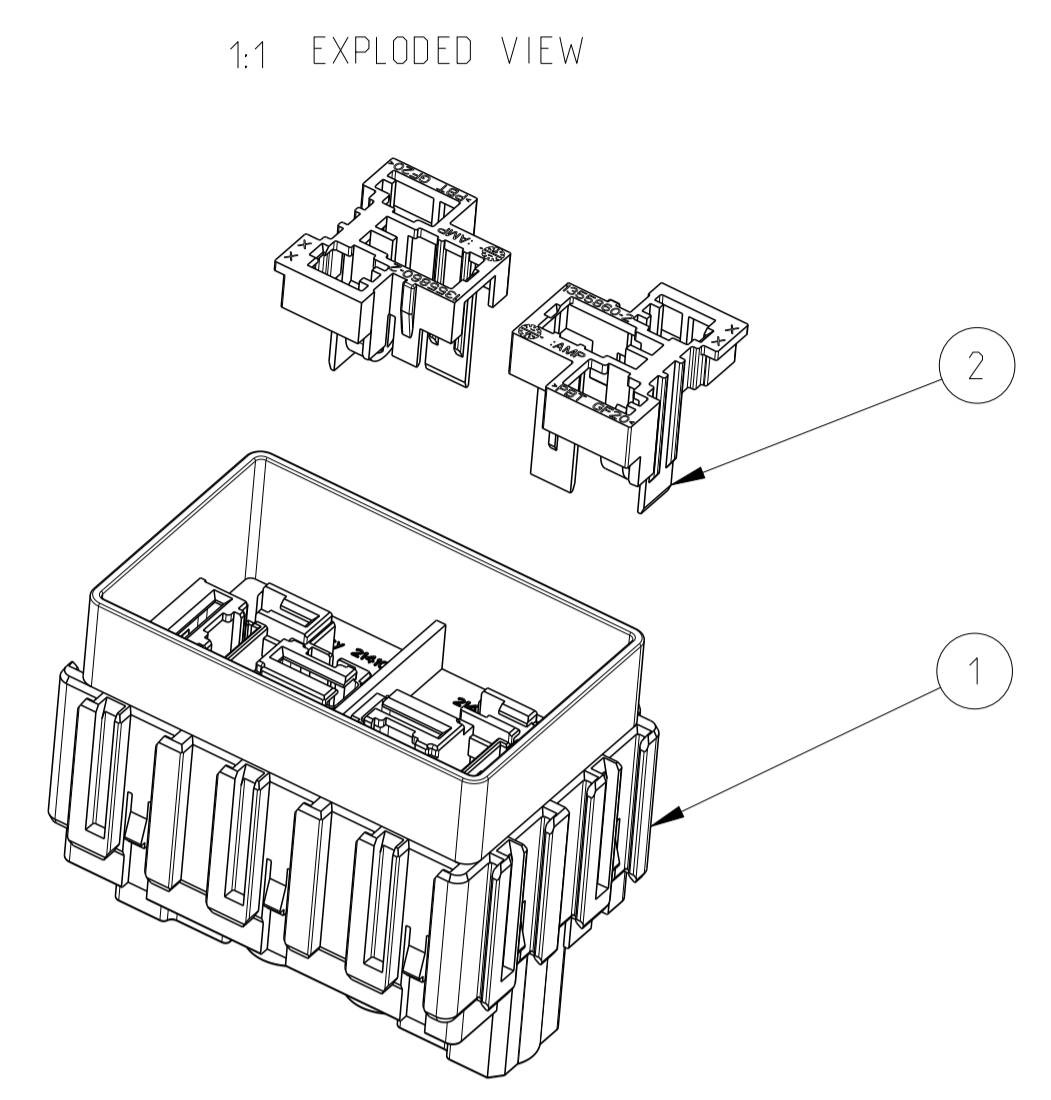
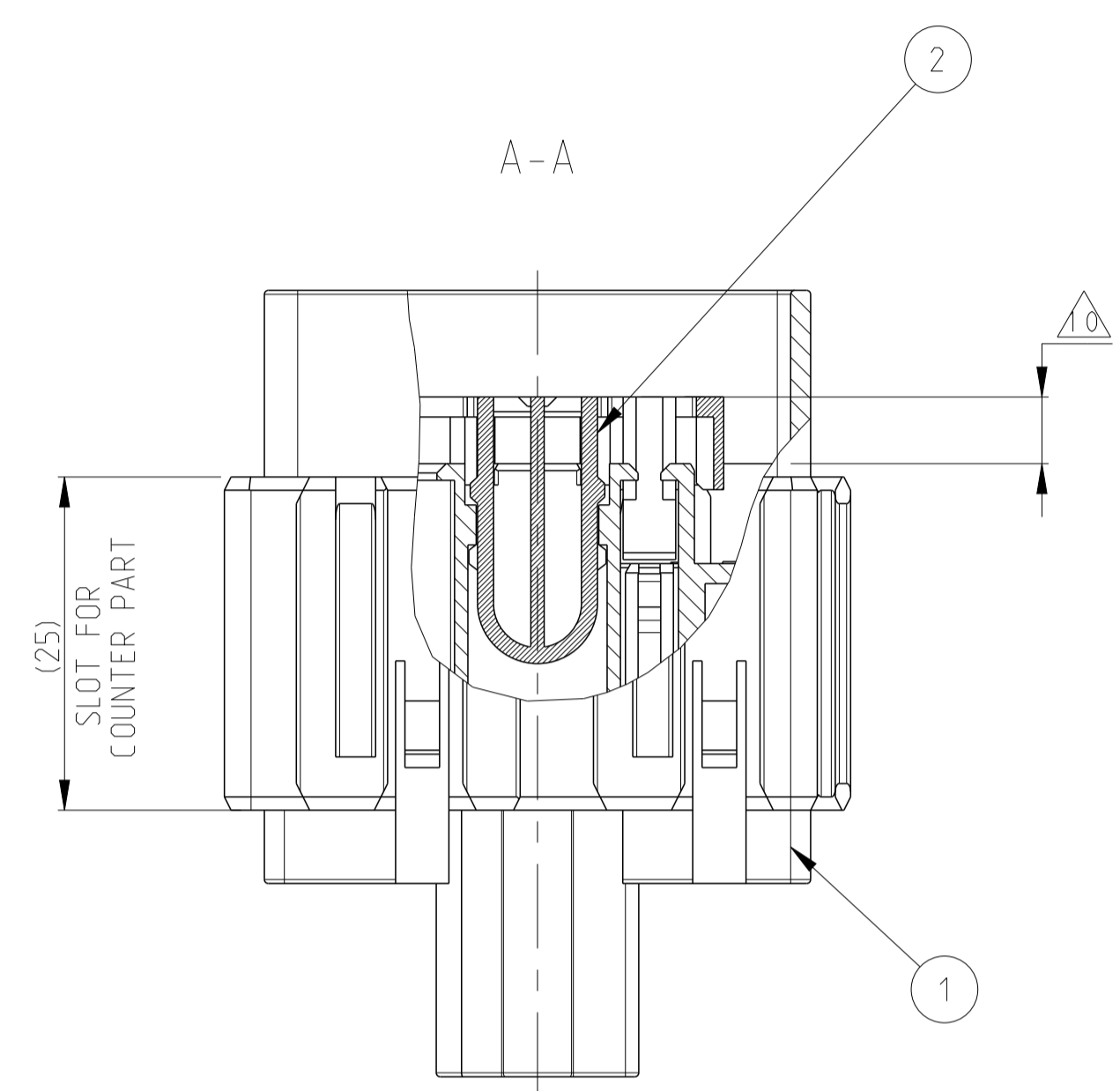
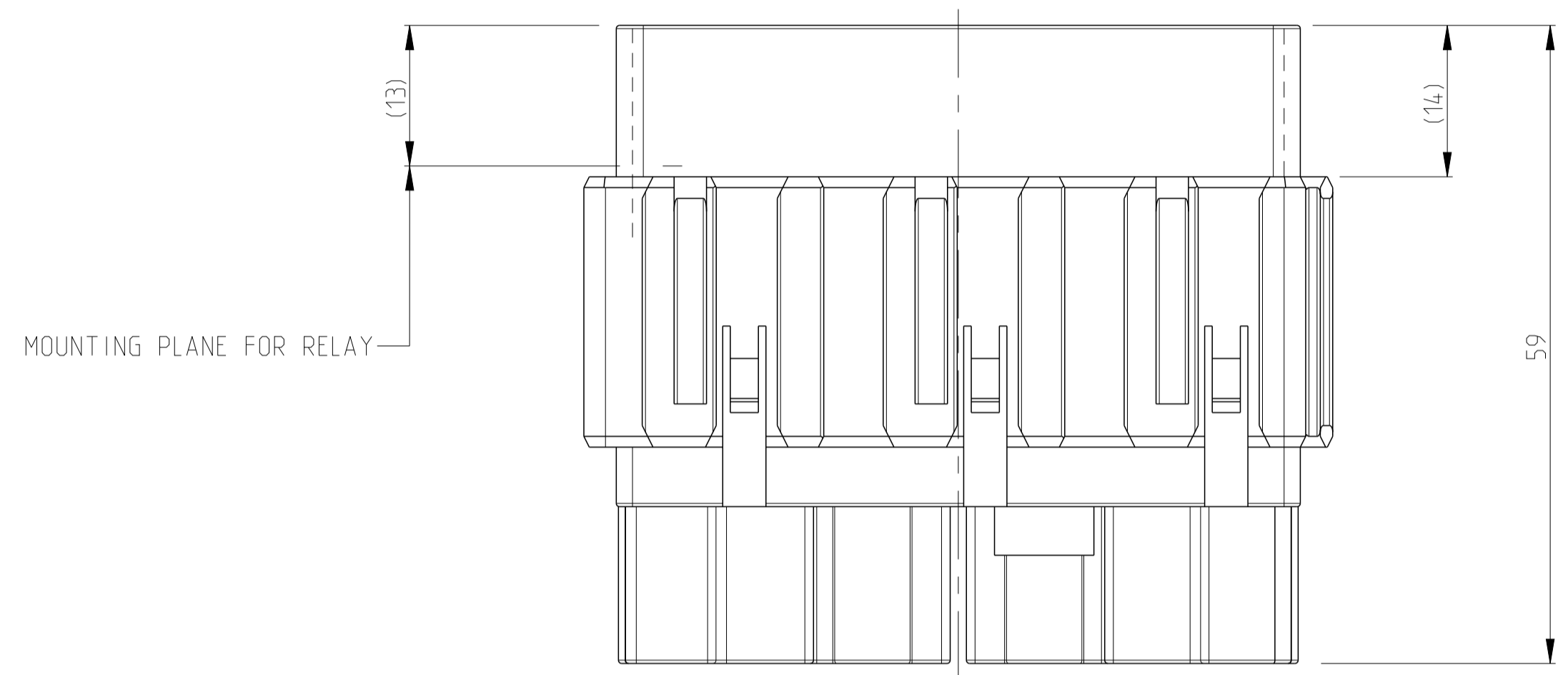
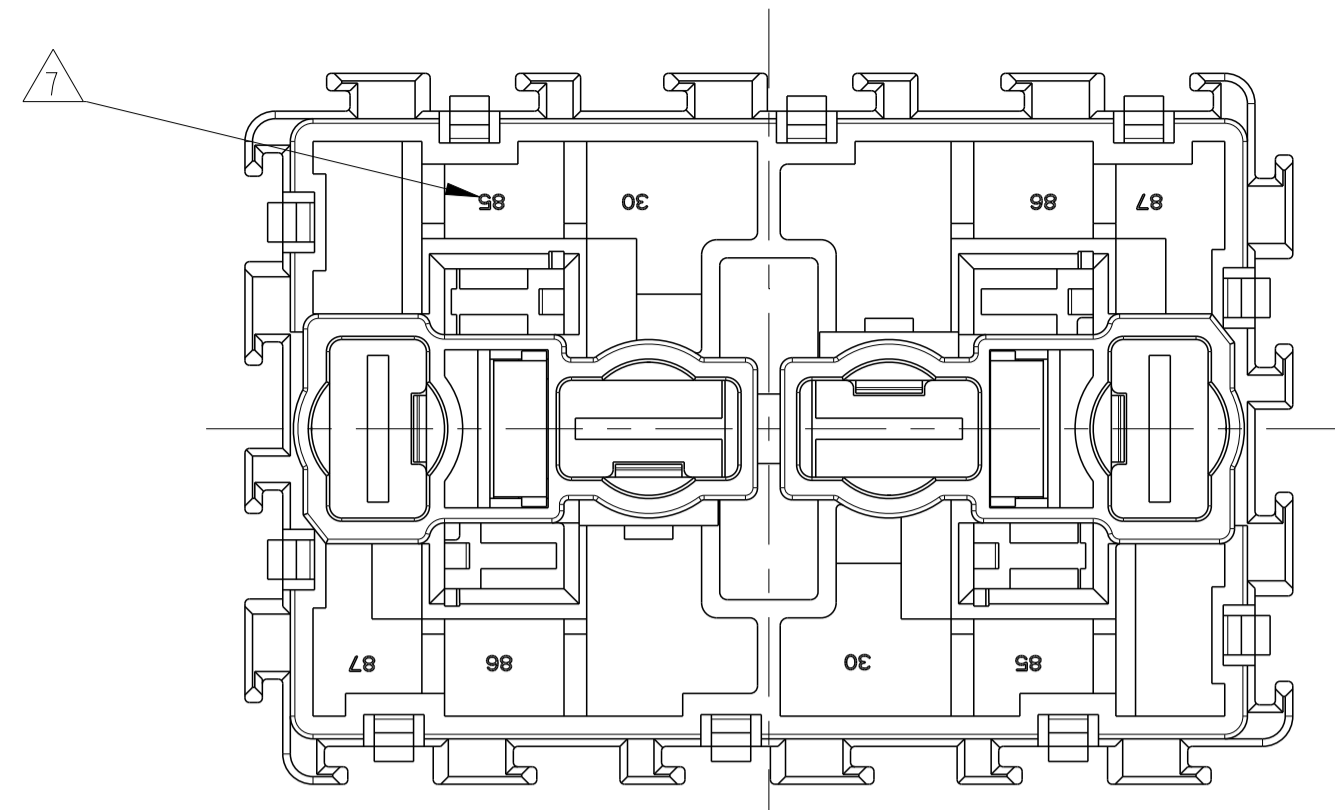


| REVISIONS | | | | | |
|-----------|------|-----------------------|-----------|------|-------|
| P. | LTN. | DESCRIPTION | DATE | DWN. | APVD. |
| A | | NEW ASSY. NEW DRAWING | 13SEP2010 | Neu. | - |
| A1 | | SEE ECR-12-011721 | 28JUN2012 | SK | RH |
| B | | SEE E-19-002604 | 12FEB2019 | SH | HR |



NOTES

- 1 TE LOGO
- 2 TE ORDER NUMBER
- 3 MATERIAL MARKING
- 4 PRODUCTION DATE
- 5 TOOL CAVITY MARKING
- 6 SLOT MARKING
- 7 CAVITY MARKING
- 8 REVISION NUMBER
- 9 PACKAGING: LAYERS IN CARD BOARD BOX
- 10 SPACER FOR ALL RELAYS IN PRE LATCHED POSITION
- 11 PARTS ARE TO BE FREE OF SCRATCHES DISCOLORATION, SALT RESIDUE OR OTHER IMPERFECTIONS THAT MAY AFFECT FUNCTION OR FIT OF PART
- 12 FOR MORE OR ACTUAL INFORMATION ABOUT TERMINALS PLEASE CONTACT SUPPLIER OR TE
- 13 OVER VIEW PRODUCT GROUP SEE : 114-94092
- 14 SYSTEM PITCH DIMENSION'S FOR MULTIPLE PLUG IN SYSTEM
- 15 PLEASE NOTE: MAX. CURRENT CARRYING CAPACITY OF MODULE SEE: 108-94263

| TE ORDER NO STRIP FORM | TE ORDER NO LOSE PIECE | SUPPLIER LEAR | WIRE CODE | MATERIAL | FINISH |
|------------------------|------------------------|---------------|-------------------|--------------|-------------------------------|
| | | | | 361730-YF200 | (2)22 (2)24 Cu PRE TIN PLATED |
| | | | | 362230-YF200 | 22-24 Cu PRE TIN PLATED |
| | | | | 361830-YF200 | 18-20 Cu PRE TIN PLATED |
| 2208343-1 | | | (1)16-(1)18 (2)20 | 361330-YF200 | Cu PRE TIN PLATED |
| | | | | 361130-YF200 | (2)14 Cu PRE TIN PLATED |
| 2208343-2 | | | | 361430-YF200 | 14-16 Cu PRE TIN PLATED |
| 2208343-3 | | | | 361030-YF200 | 10-12 Cu PRE TIN PLATED |

RECOMMENDED TERMINAL SYSTEM: 6.3 MM

| TE ORDER NO STRIP FORM | TE ORDER NO LOSE PIECE | SUPPLIER | WIRE RANGE MM 2 | MATERIAL | FINISH |
|------------------------|------------------------|----------|----------------------|----------|----------------|
| 1-1355849-1 | | | 6-10 MM ² | CuNiSi | PRE TIN PLATED |

RECOMMENDED TERMINAL SYSTEM: AMP MCP 9.5

| |
|---|
| USED WITH: 13 |
| ALLOCATED FOR: MAXI RELAY 70A MAX. 13 |
| NOMINAL VOLTAGE SYSTEM: 12V |
| TEMPERATURE CLASS: -40 TO 85 °C |
| VIBRATION CLASS: 1, ON BODY OR CHASSIS |
| SEALED CLASS: 0 |
| ONLY BASIC DATA FOR DETAIL SEE PRODUCT SPEC |

| 2141026-1 | B | 66.25 | 2 | 2x | SPACER | PBT-GF20 | GREY | 2 |
|-----------|---|-------|---|----|---------|----------|-------|---|
| | | | 1 | 1x | HOUSING | PBT-GF20 | BLACK | 1 |

| TE ASSY NO. | REV | WEIGHT [g] | POS. | QTY. | DESCRIPTION | MATERIAL | COLOR SURFACE | ITEM NO |
|-------------|-----|------------|------|------|-------------|----------|---------------|---------|
| | | | | | | | | |

THIS DRAWING IS A CONTROLLED DOCUMENT. OWN: H. NEUMEUER 13SEP2010, CHK: R. HECKER 13SEP2010, APVD: G. MUMMER 13SEP2010

TE Connectivity

NAME: MAXI RELAY MODULE, 2POS ASSY

SIZE: 114-94090, CAGE CODE: 00779, DRAWING NO: 2141026

MATERIAL: SEE TABLE, FINISH: SEE TABLE, WEIGHT: SEE TABLE

SCALE: 5:1, SHEET: 1 OF 1, REV: B

X-ON Electronics

Largest Supplier of Electrical and Electronic Components

Click to view similar products for [Automotive Relays](#) category:

Click to view products by [TE Connectivity](#) manufacturer:

Other Similar products are found below :

[7-1414968-8](#) [7-1617345-6](#) [9-1617516-5](#) [G5CE1ASIDC12](#) [1393204-2](#) [1393302-3](#) [13Z99A115-0074](#) [1432872-1](#) [AR4-15F11-S01](#) [AR4-15H11](#)
[1617057-2](#) [1617058-6](#) [1617518-5](#) [2-1617057-2](#) [2-1617057-6](#) [2-1617058-3](#) [CB1F-M-12V-H15](#) [898H-1AH-D-001-12VDC](#) [AR4-11F11](#)
[AR4-15F11](#) [AR4-41F11](#) [24198-1](#) [4-1617057-0](#) [41FZ-200ACG-BSL](#) [5-1616920-2](#) [5-1617052-9](#) [5407-0011-HS](#) [CB1AF-M-12V-H59](#) [5-](#)
[1617346-8](#) [103-1AH-C-12VDC](#) [V23134A1052X299](#) [6-1393302-1](#) [897H-1AH-D-R1-U01-12VDC](#) [FTR-P3CP024W1-06](#) [1-1617057-8](#) [3-](#)
[1393305-1](#) [5436-0001-HS](#) [V23086-R1851-A502](#) [V23136-A0004-X075](#) [898H-1AH-D1SW-R1-12VDC](#) [RH4C1P2607](#) [RE031005](#)
[V23134M0052G242](#) [1393204-1](#) [23234B0001X001-EV-144](#) [AZ979-1A-24D](#) [2-1904020-1](#) [V23134B0052C642](#) [V23134B0053C642](#) [V23234-](#)
[A1001-X036](#)