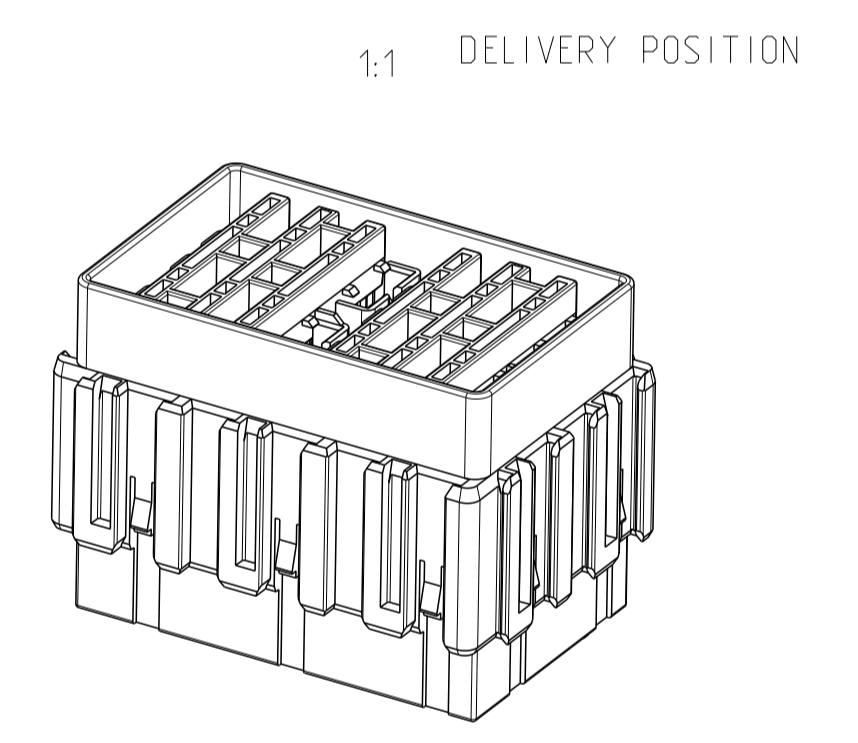
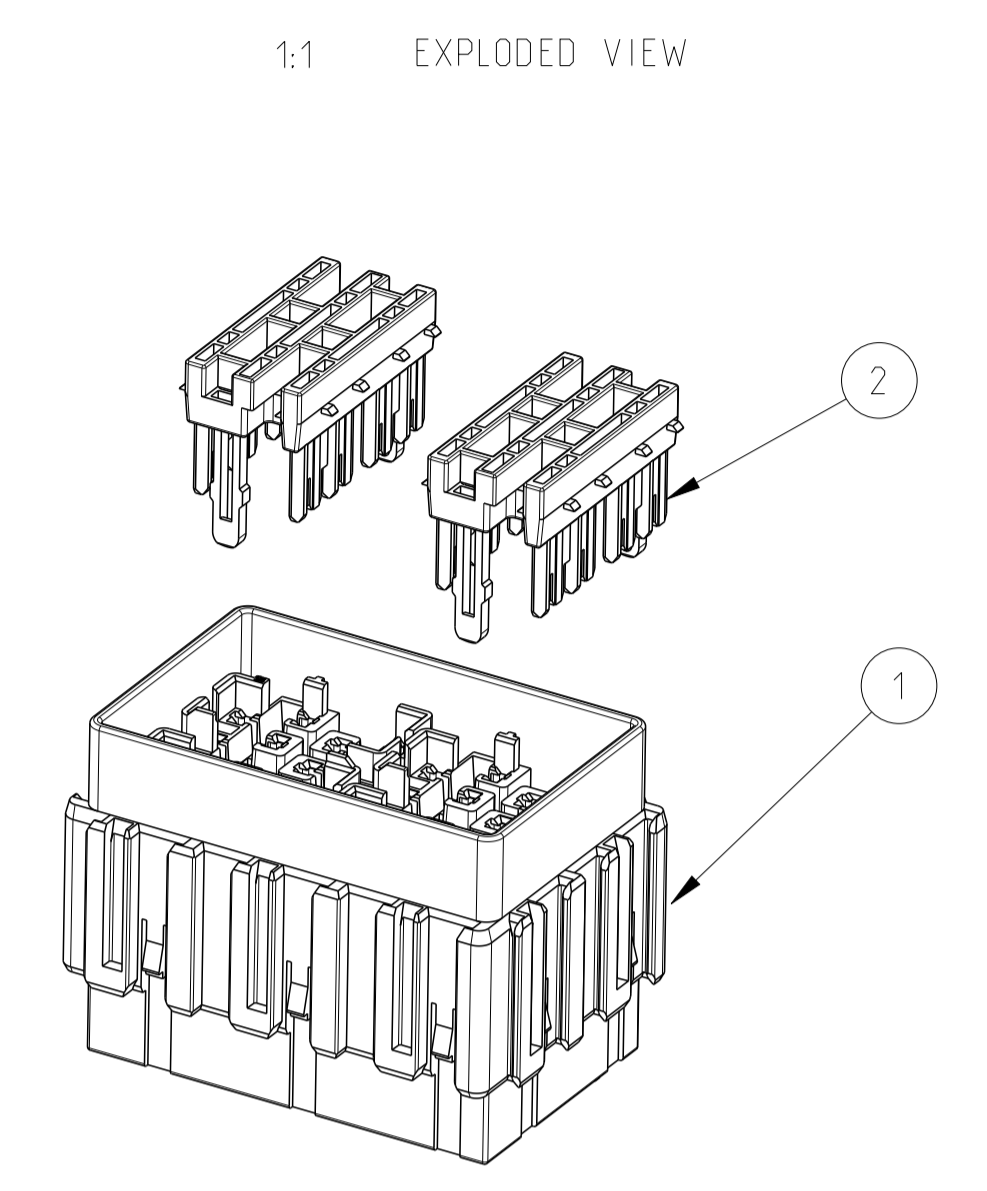
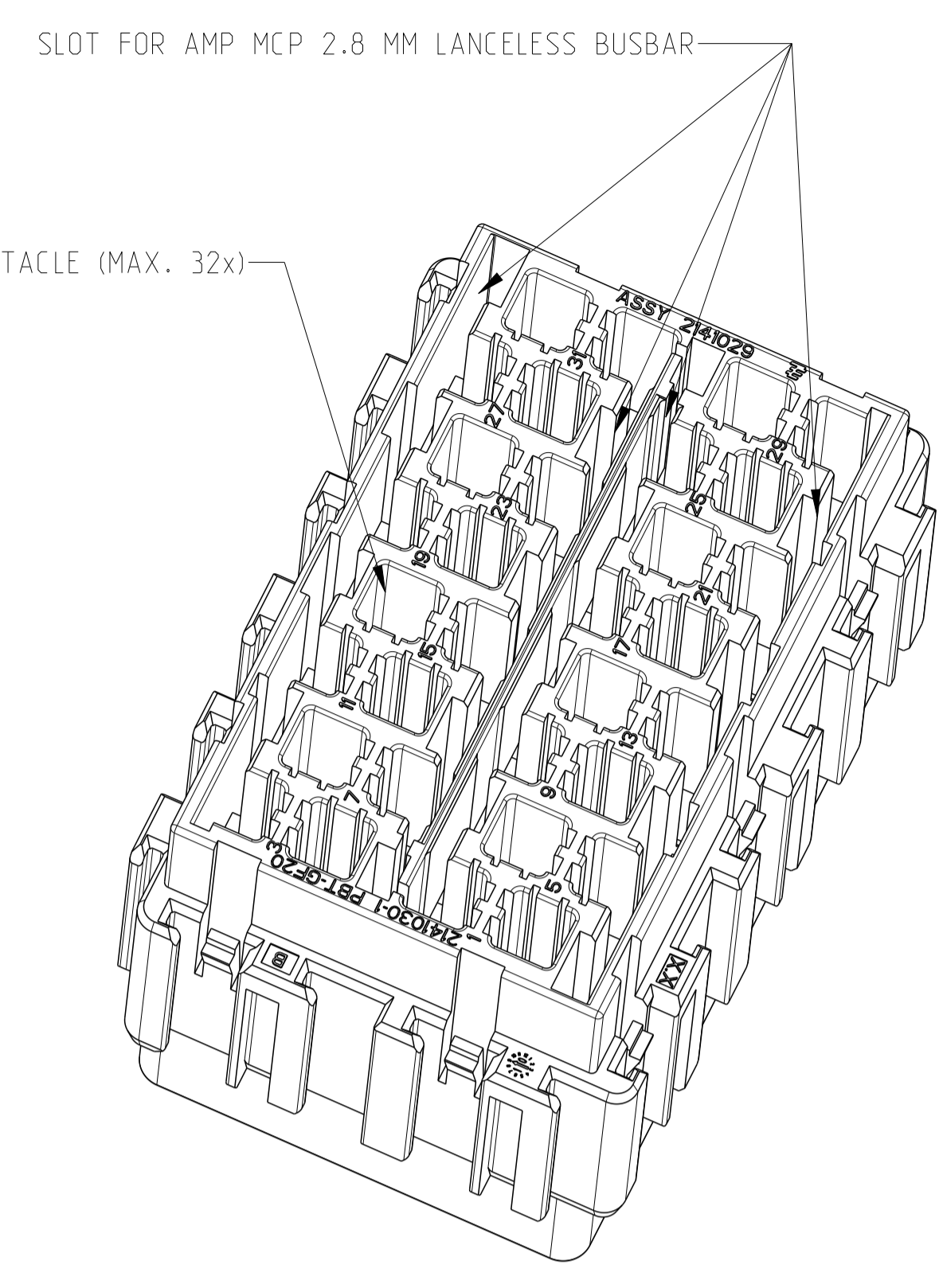
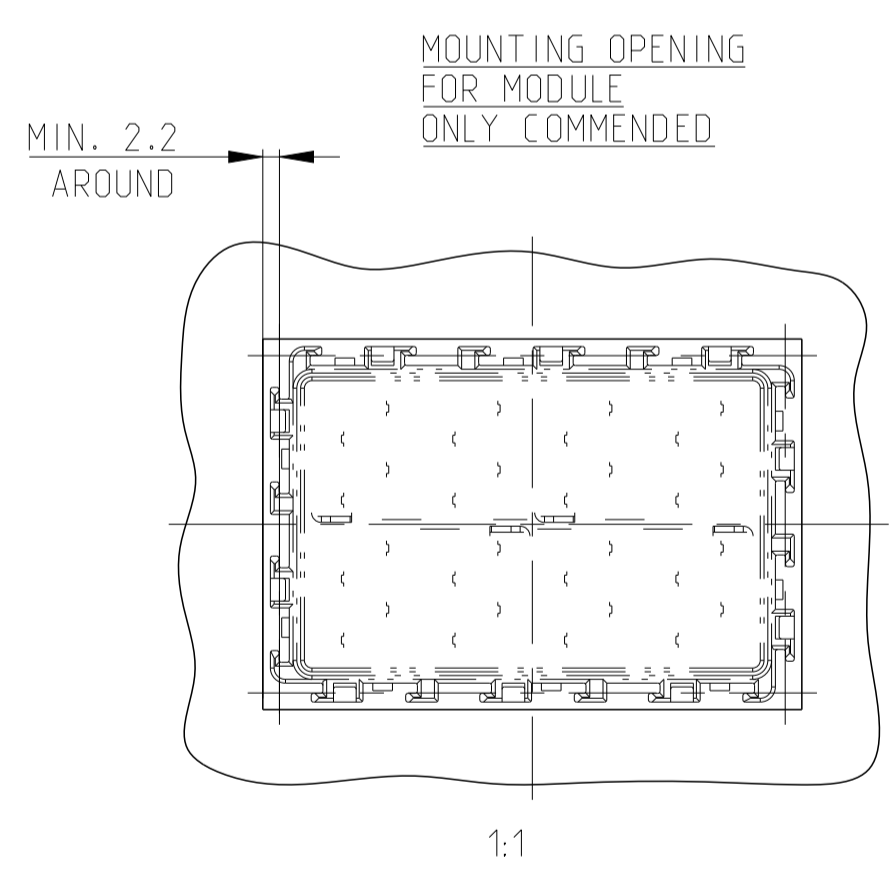
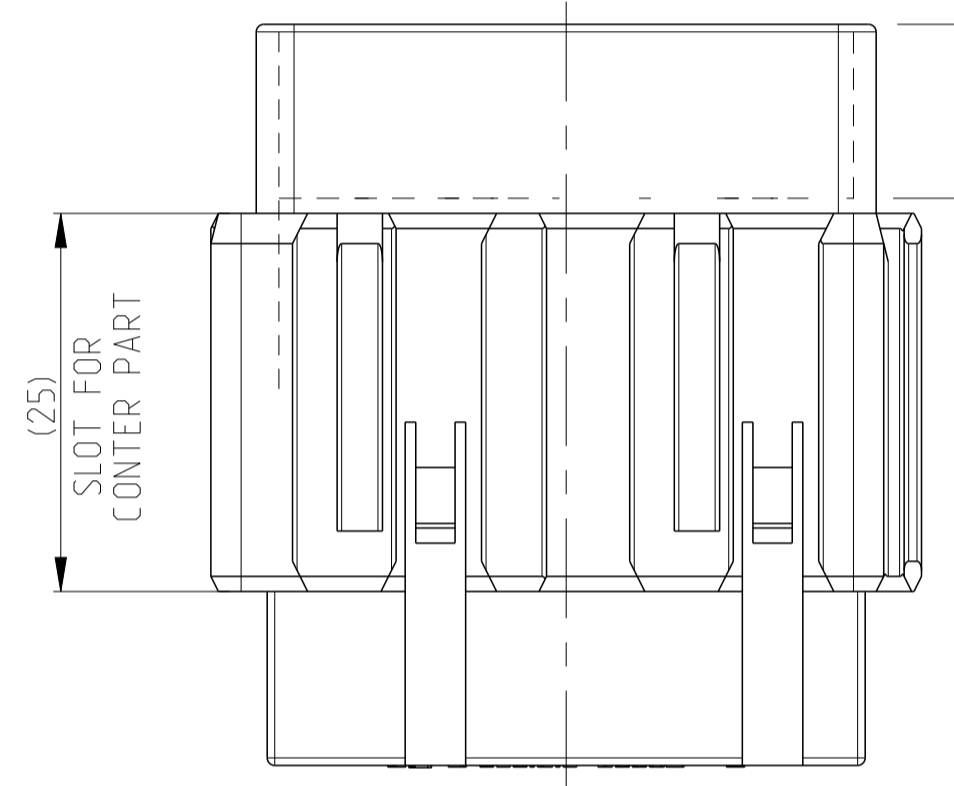
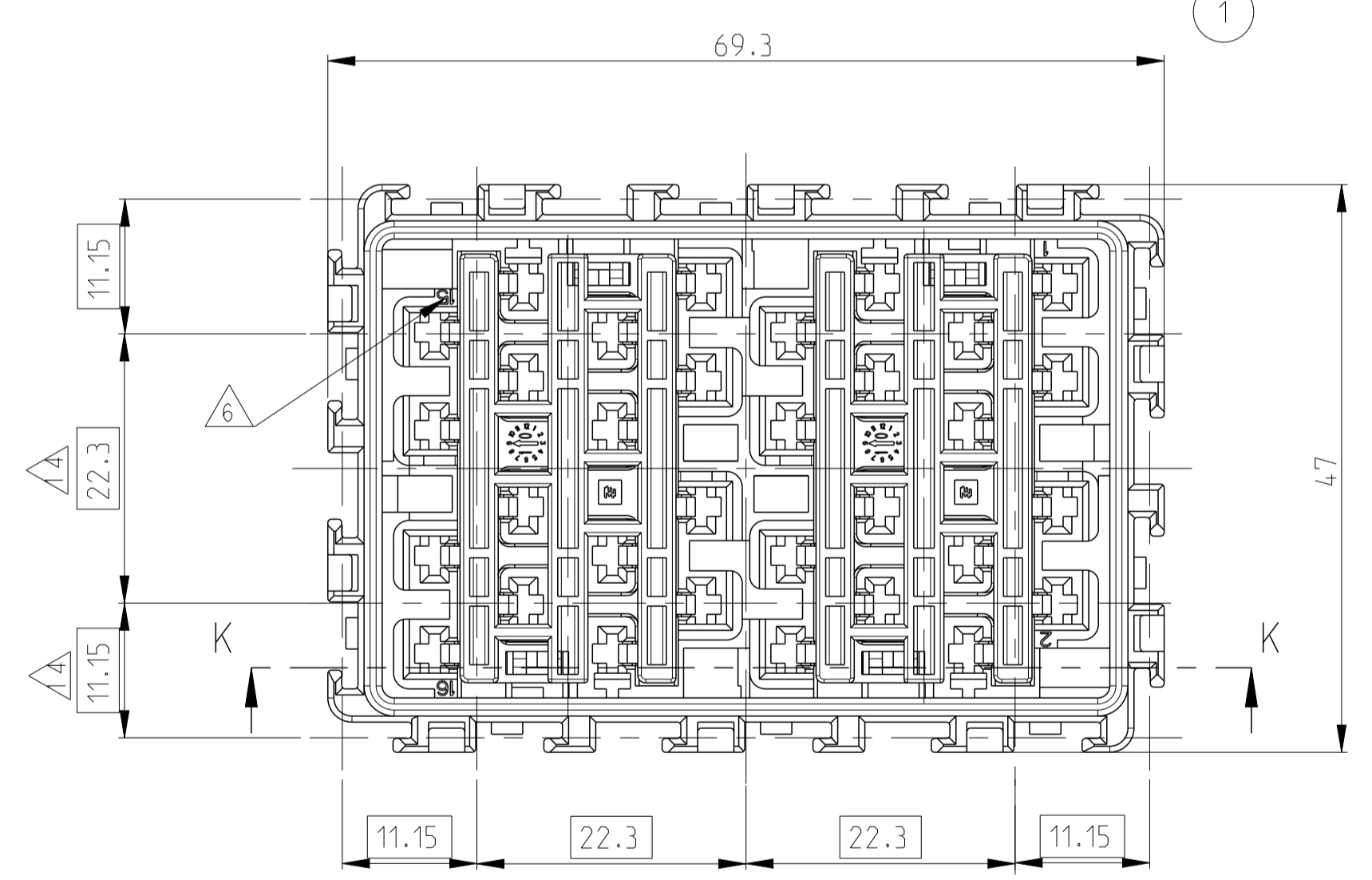
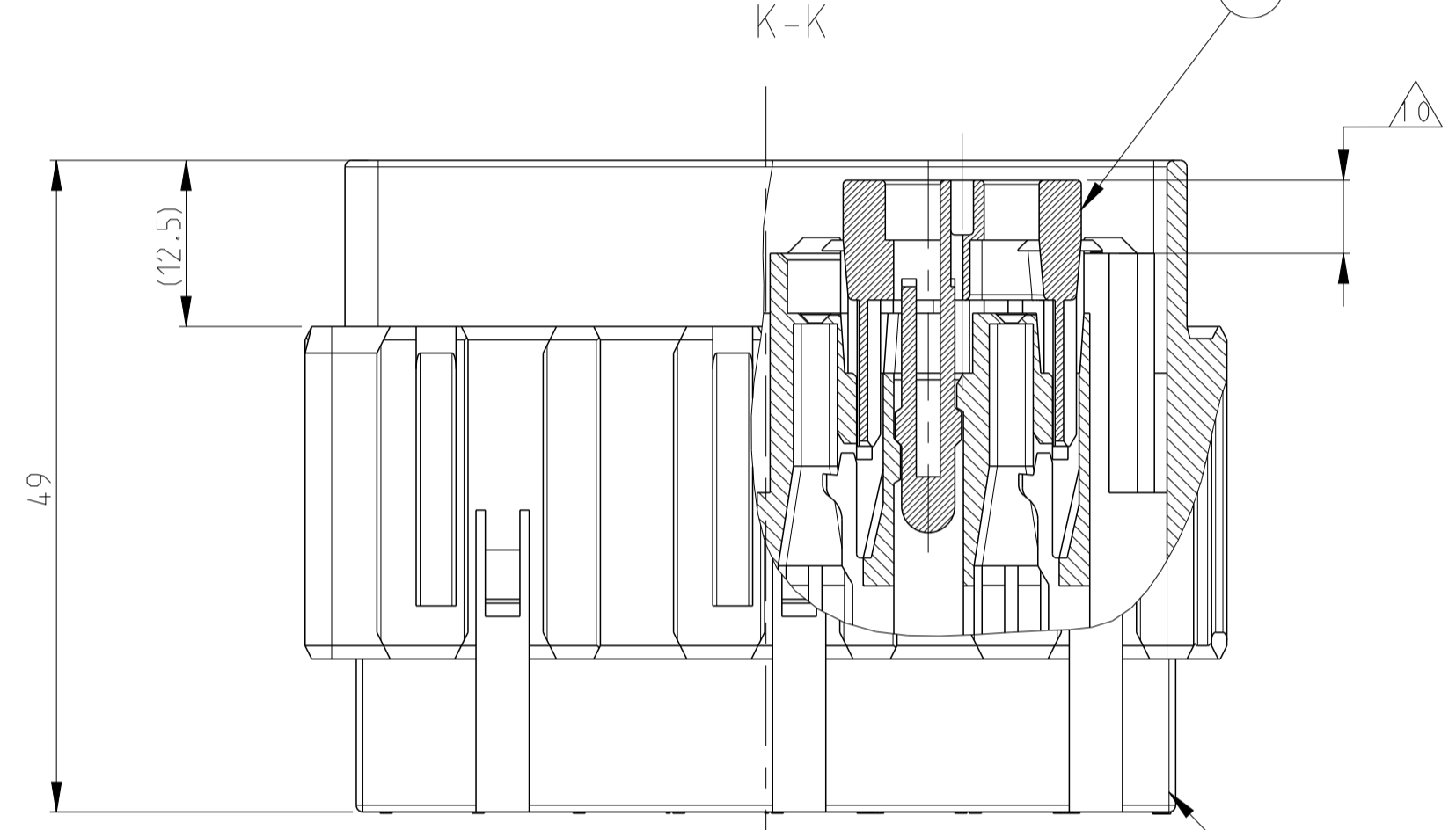
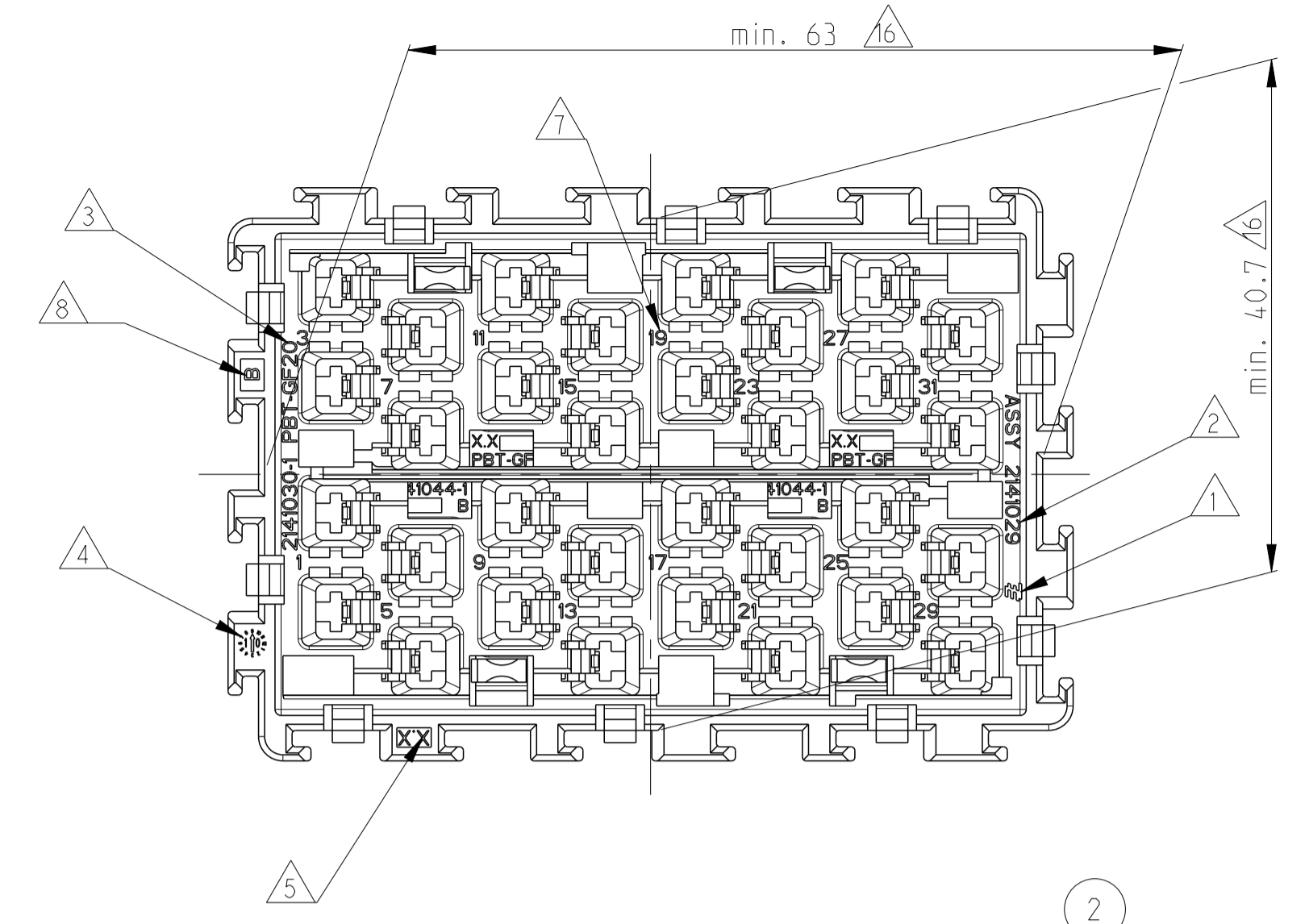


LOC	DIST	REVISIONS					
		P	LTN	DESCRIPTION	DATE	DMN	APVD
A1	-	A		NEW DRAWING	23MAR2012	Neu.	-
		A1		E-18-004261	20MAR2018	MS	RH



NOTES

- 1 TE LOGO
- 2 TE ORDER NUMBER
- 3 MATERIAL MARKING
- 4 PRODUCTION DATE
- 5 TOOL CAVITY MARKING
- 6 SLOT MARKING
- 7 CAVITY MARKING
- 8 REVISION NUMBER
- 9 PACKAGING: LAYERS IN CARD BOARD BOX
- 10 SPACER FOR ALL FUSES IN PRE LATCHED POSITION
- 11 PARTS ARE TO BE FREE OF SCRATCHES DISCOLORATION, SALT RESIDUE OR OTHER IMPERFECTIONS THAT MAY AFFECT FUNCTION OR FIT OF PART
- 12 -
- 13 OVER VIEW PRODUCT GROUP SEE : 114-94092
- 14 SYSTEM PITCH DIMENSION'S FOR MULTIPLE PLUG IN SYSTEM
- 15 PLEASE NOTE: MAX. CURRENT CARRYING CAPACITY OF MODULE : 108-94263
- 16 CONCAVE: ADDITIONAL TO PERMISSIBLE DIMENSION TOLERANCE REGULAR COLAPS EACH SIDE 0.6

TE ORDER NO	TE ORDER NO	SUPPLIER	WIRE RANGE	MATERIAL	FINISH
STRIP FORM	LOSE PIECE	-	MM ²	-	-
1-1355880-1			2.5-4.0 MM ²	CuNiSi	PRE TIN PLATED
1-1355877-1			1.5-2.5 MM ²	CuNiSi	PRE TIN PLATED
1-1355833-1			0.5-1.0 MM ²	CuNiSi	PRE TIN PLATED
1-1355876-1			0.2-0.5 MM ²	CuNiSi	PRE TIN PLATED

RECOMMENDED TERMINAL SYSTEM: AMP MCP 2.8 FLAT TYPE RECEPTACLE

TE ORDER NO	TE ORDER NO	SUPPLIER	WIRE RANGE	MATERIAL	FINISH
STRIP FORM	LOSE PIECE	-	MM ²	-	-
1-1355844-1			4.0-6.0 MM ²	CuNiSi	PRE TIN PLATED
1-1355847-1			0.5-1.0 MM ²	CuNiSi	PRE TIN PLATED

RECOMMENDED TERMINAL SYSTEM: AMP MCP 2.8 MM LANCELESS BUSBAR

USED WITH:
ALLOCATED FOR: MINIATURE FUSE 30A MAX.
NOMINAL VOLTAGE SYSTEM: 12V
TEMPERATURE CLASS: -40 TO 85 °C
VIBRATION CLASS: G3
SEALED CLASS: 0
ONLY BASIC DATA FOR DETAIL SEE PRODUCT SPEC

TE ASSY NO.	REV	WEIGHT [g]	POS.	QTY.	DESCRIPTION	MATERIAL	COLOR SURFACE	ITEM NO.
2141029-1	B	84.83	2	2x	SPACER	PBT-GF20	GREY	2
			1	1x	HOUSING	PBT-GF20	BLACK	1

THIS DRAWING IS A CONTROLLED DOCUMENT.

DMN: H. NEUMEUER 13SEP2010	TE Connectivity NAME: MINIATURE FUSE MODULE 16POS ASSY SIZE: CAGE CODE DRAWING NO RESTRICTED TO
CHK: R. HECKER 13SEP2010	
APVD: G. MUMMER 13SEP2010	
PRODUCT SPEC: 108-94263	
APPLICATION SPEC: 114-94090	SCALE: 5:1 SHEET 1 OF 1 REV A1

MATERIAL: SEE TABLE FINISH: SEE TABLE WEIGHT: SEE TABLE CUSTOMER DRAWING

X-ON Electronics

Largest Supplier of Electrical and Electronic Components

Click to view similar products for [Automotive Connectors](#) category:

Click to view products by [TE Connectivity](#) manufacturer:

Other Similar products are found below :

[003-018-000](#) [60403001](#) [60993906-B](#) [M902-2131](#) [M902-2161](#) [M902-2344](#) [72.330.1035.1](#) [73.353.4028.0](#) [F119300-B](#) [F166900](#) [F258300-B](#)
[F358300-B](#) [F407400](#) [F444110](#) [F487000](#) [F509500B-B](#) [827153-1](#) [8N1515-32-24P](#) [9-1326729-8](#) [925474-1](#) [928905-1](#) [964562-4](#) [968782-1](#)
[GT17SA-8DS-HU](#) [98891-1012](#) [98947-1016](#) [12004147](#) [12004475-L](#) [12010290](#) [12010309-B](#) [12015454](#) [12020219-B](#) [12041318-B](#) [12052225-](#)
[L](#) [12052466](#) [12064869](#) [12004327-B](#) [12015308](#) [12015384](#) [12015909](#) [1-21030-1](#) [12041254](#) [12041318](#) [12047946-B](#) [12047957](#) [12047957-L](#)
[12059473](#) [12066261](#) [12110546](#) [12110546-B](#)