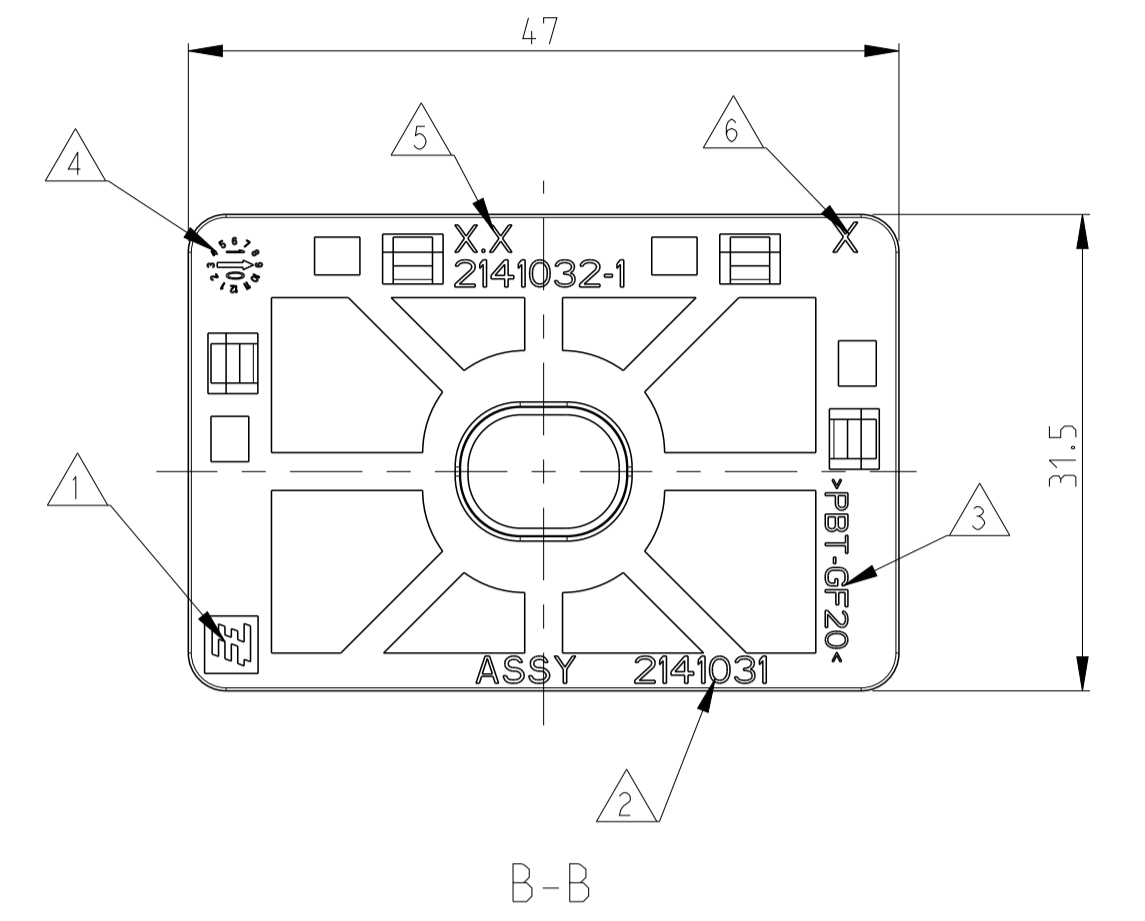
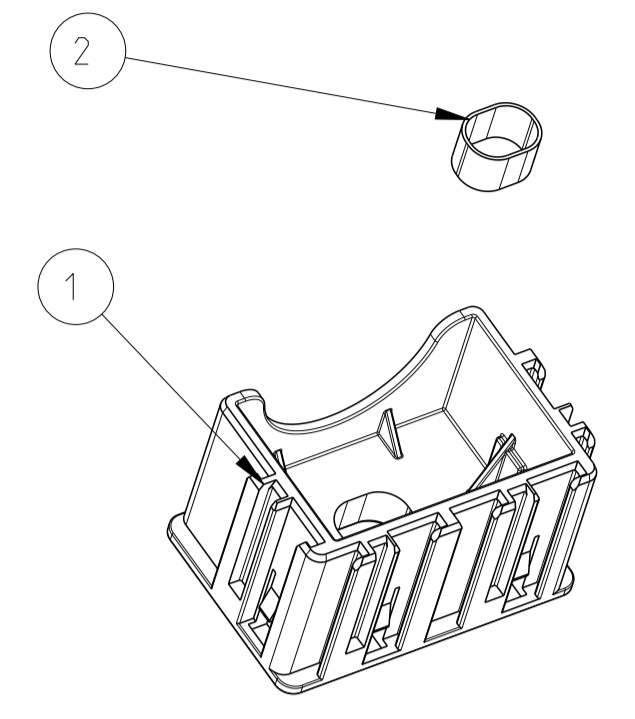


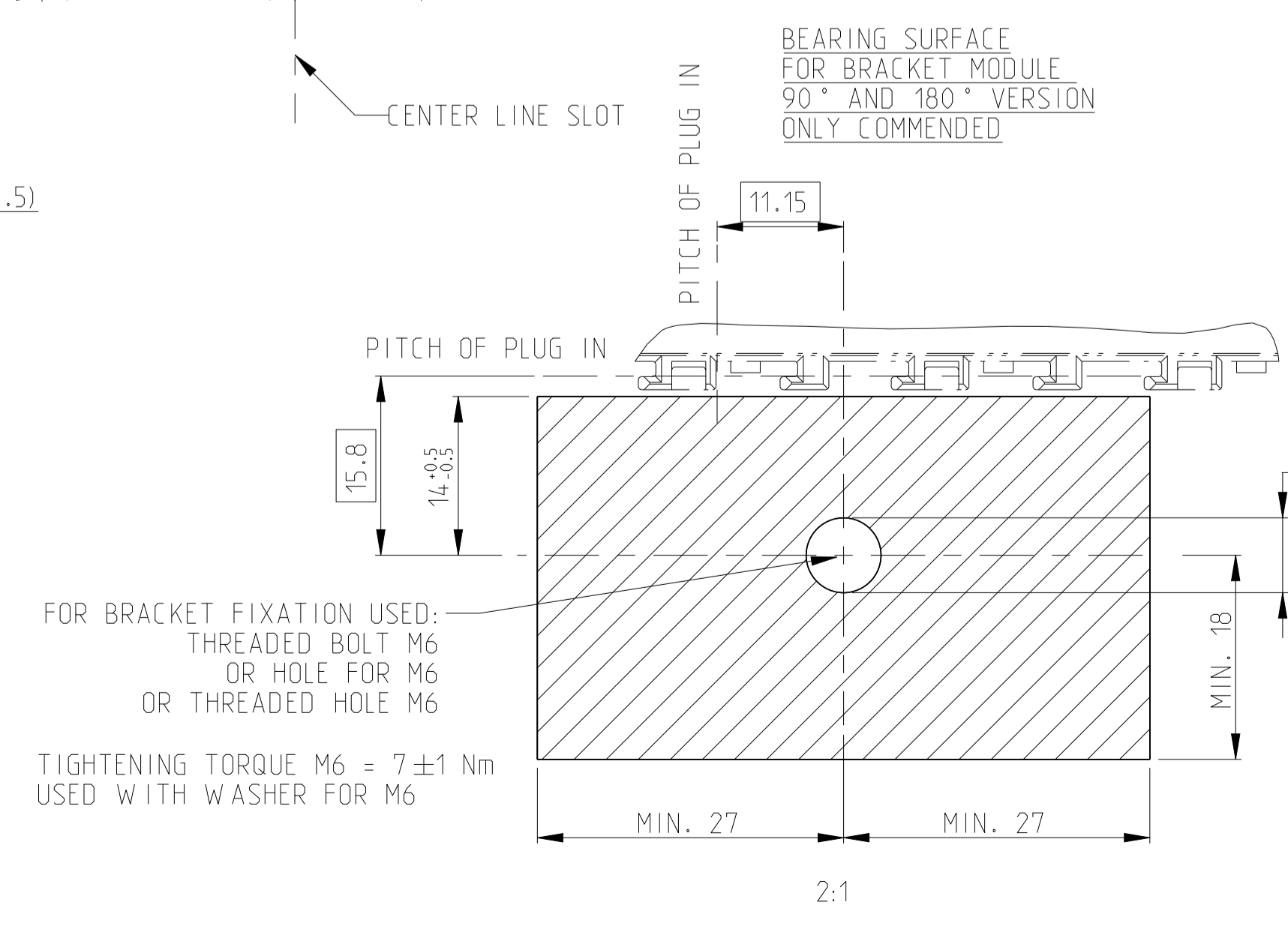
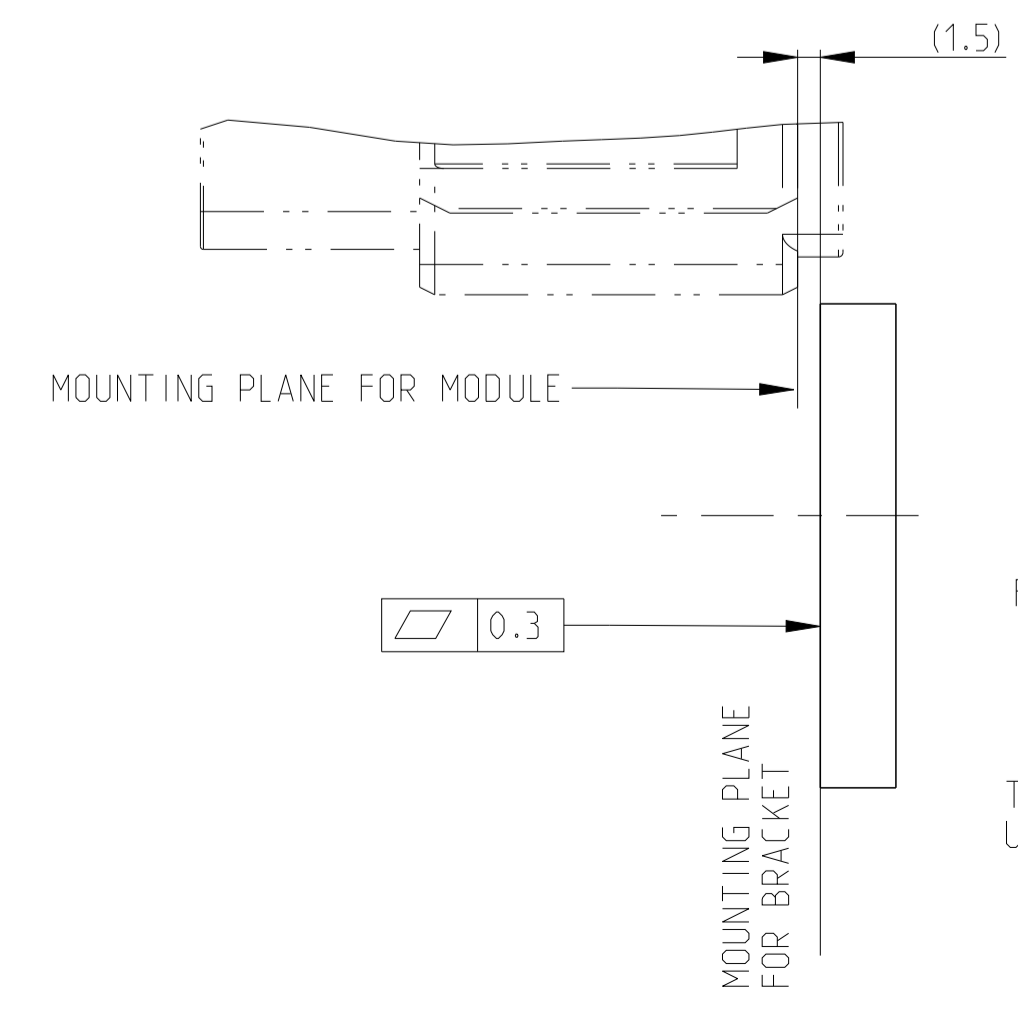
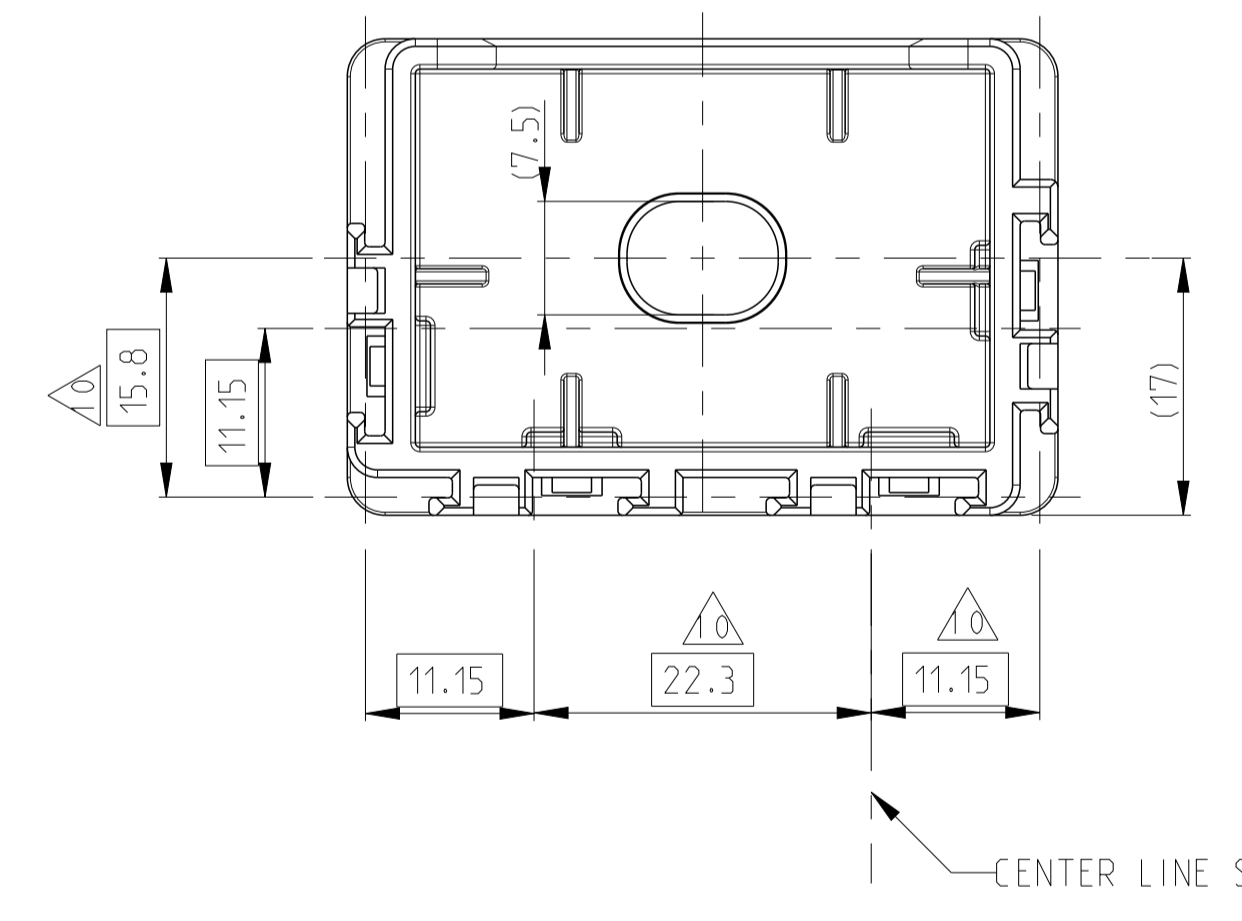
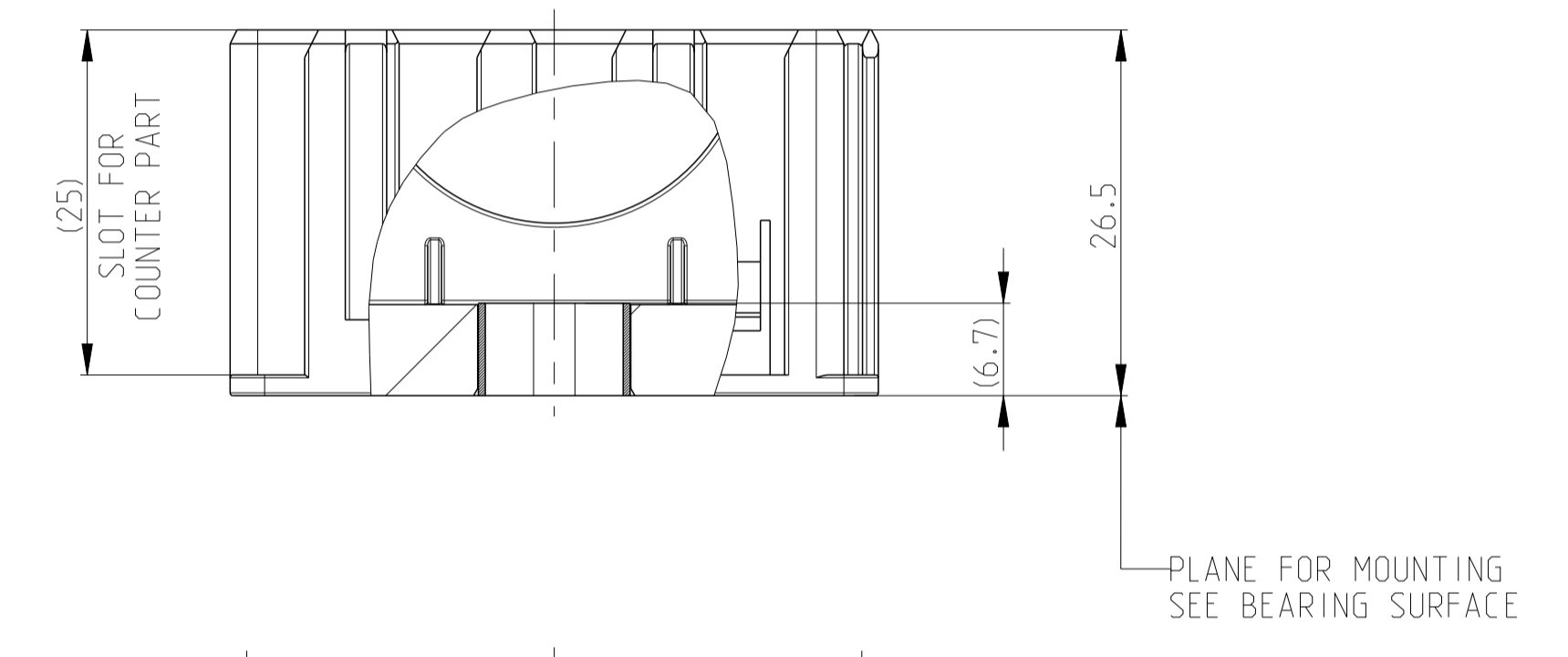
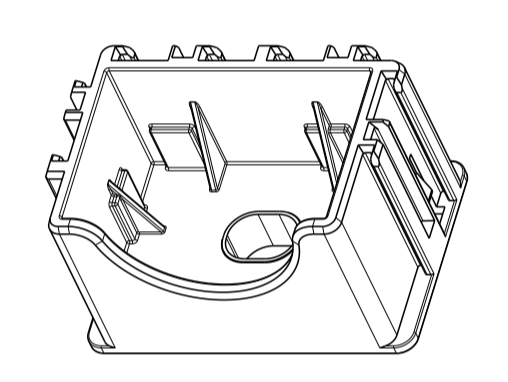
LOC	DIST	REV	DATE	BY	CHK	APPV
A1	-	A	13SEP2010	Neu.	-	-
		A1	11DEC2012	SK	RH	-

PN 2141031-1
180° VERSION

1:1 EXPLODED VIEW



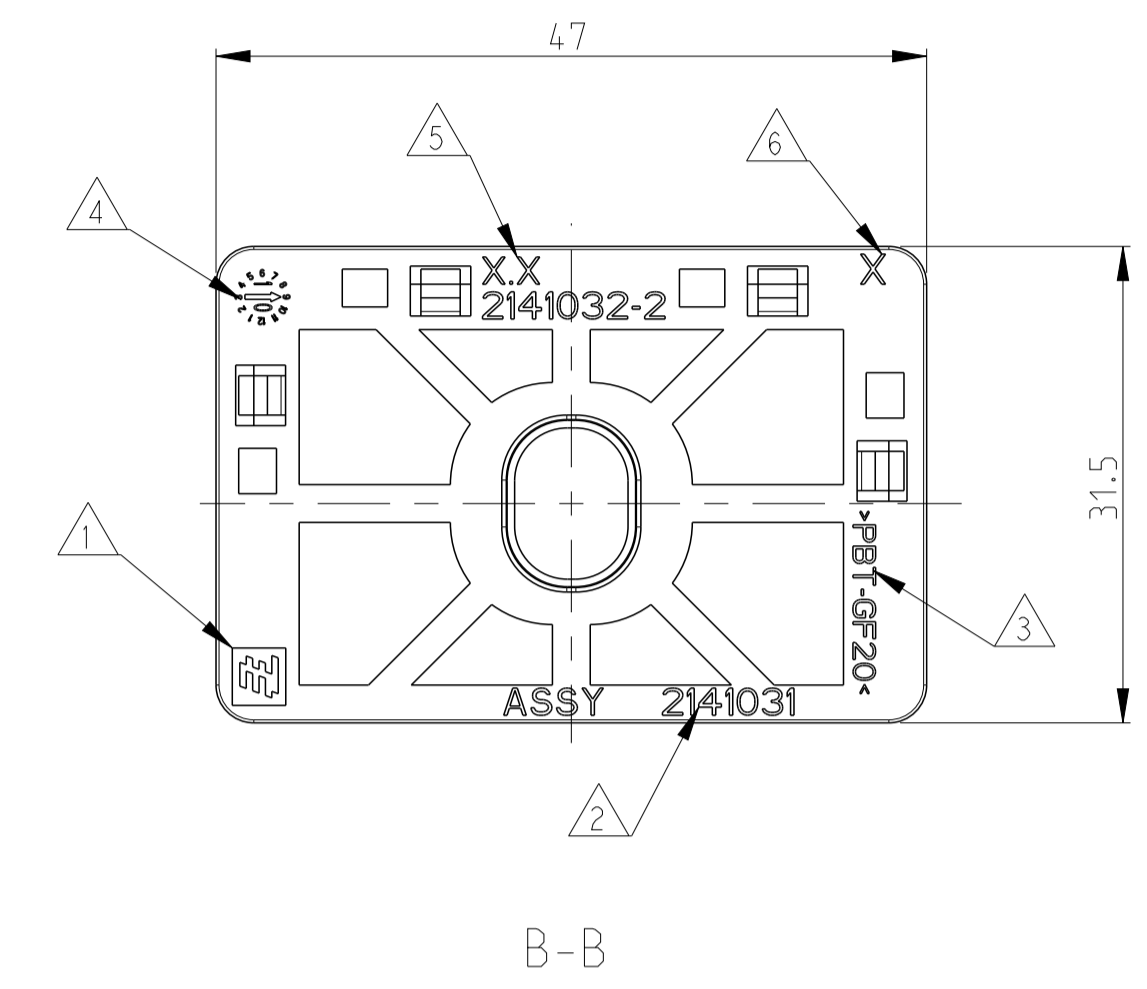
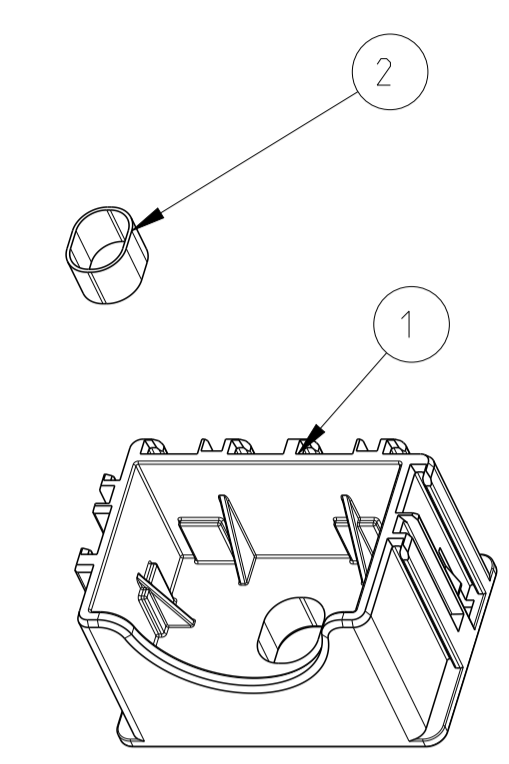
1:1 DELIVERY POSITION



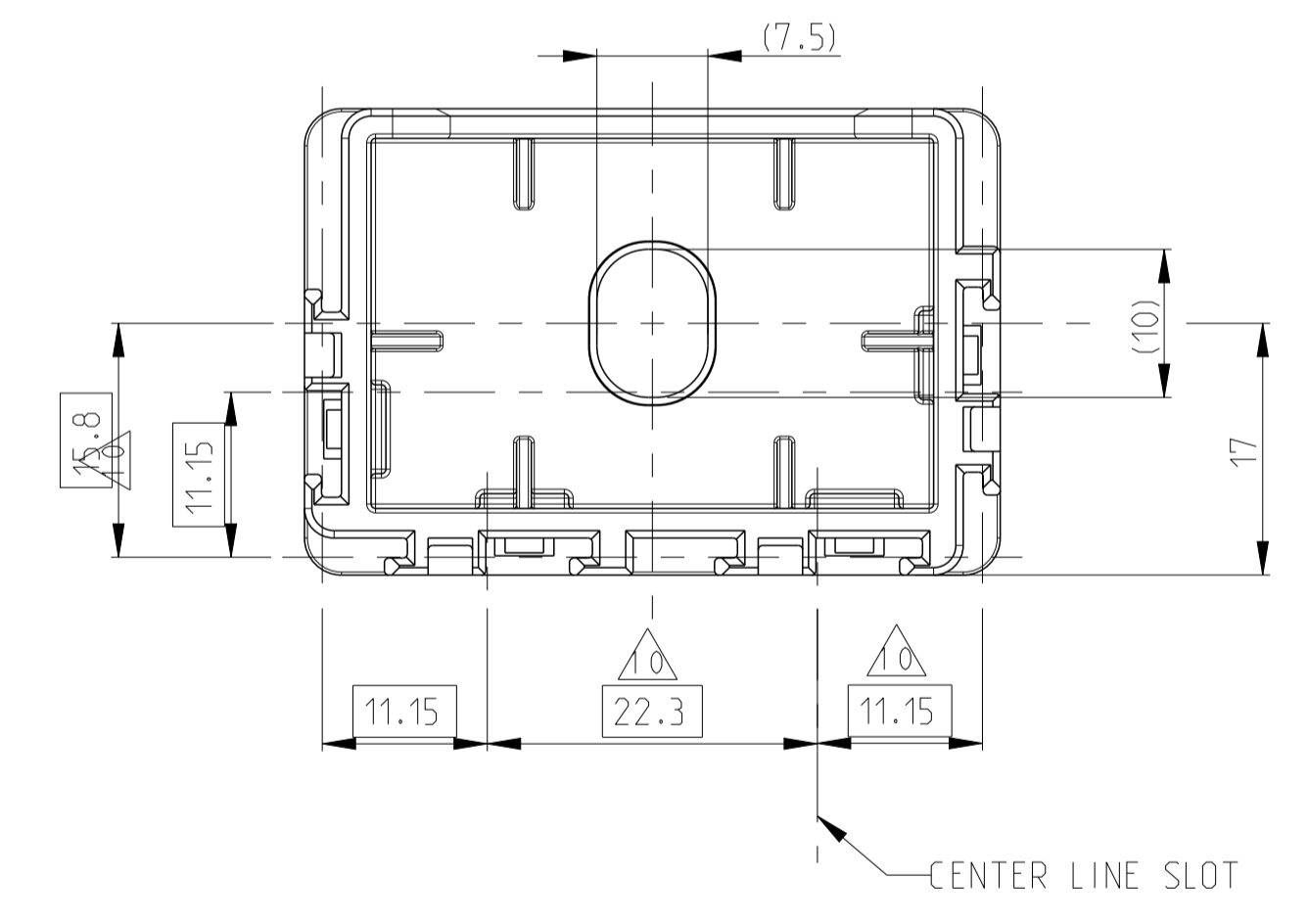
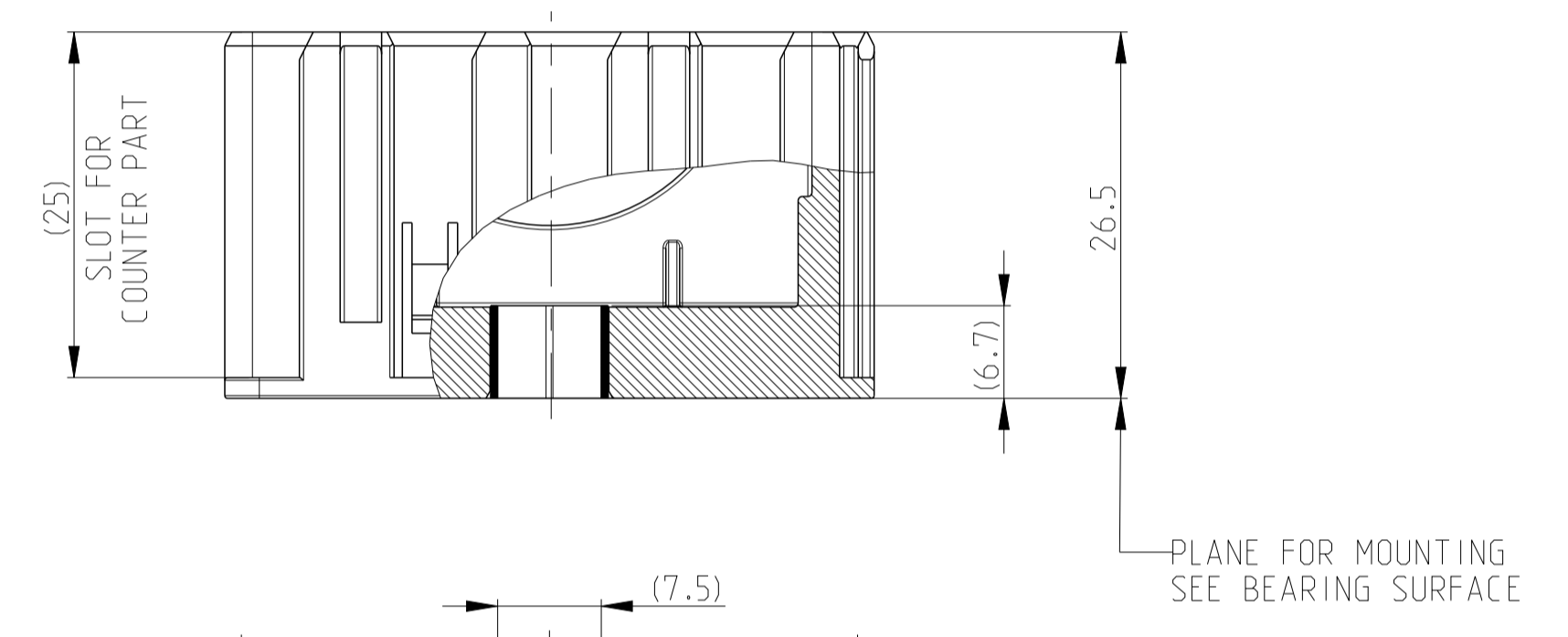
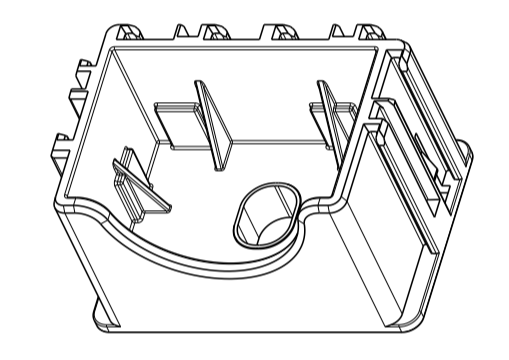
FOR BRACKET FIXATION USED:
 THREADED BOLT M6
 OR HOLE FOR M6
 OR THREADED HOLE M6
 TIGHTENING TORQUE M6 = 7 ± 1 Nm
 USED WITH WASHER FOR M6

PN 2141031-2
90° VERSION (A1)

1:1 EXPLODED VIEW



1:1 DELIVERY POSITION



- NOTES
- 1 TE LOGO
 - 2 TE ORDER NUMBER
 - 3 MATERIAL MARKING
 - 4 PRODUCTION DATE
 - 5 TOOL CAVITY MARKING
 - 6 REVISION NUMBER
 - 7 PACKAGING: BULK MATERIAL IN CARD BOARD BOX
 - 8 PARTS ARE TO BE FREE OF SCRATCHES DISCOLORATION, SALT RESIDUE OR OTHER IMPERFECTIONS THAT MAY AFFECT FUNCTION OR FIT OF PART
 - 9 OVER VIEW PRODUCT GROUP SEE : 114-94092
 - 10 SYSTEM PITCH DIMENSION'S FOR MULTIPLE PLUG IN SYSTEM

TE ASSY NO.	REV	WEIGHT [g]	POS.	QTY.	DESCRIPTION	MATERIAL	COLOR SURFACE	ITEM NO.
2141031-2	B	18.12	2	1	SLEEVE OVAL	STEEL	ZINCED	4
			1	1	HOUSING 90°	PBT-GF20	BLACK	3
2141031-1	B	18.12	2	1	SLEEVE OVAL	STEEL	ZINCED	2
			1	1	HOUSING 180°	PBT-GF20	BLACK	1

USED WITH: 9
 TEMPERATURE CLASS: -40 TO 85 °C
 VIBRATION CLASS: 1, ON BODY OR CHASSIS
 ONLY BASIC DATA FOR DETAIL SEE PRODUCT SPEC

THIS DRAWING IS A CONTROLLED DOCUMENT. OWN: H. NEUMEUER 13SEP2010, CHK: R. HECKER 13SEP2010, APPV: G. MUMMER 13SEP2010

STE TE Connectivity

NAME: BRACKET MODULE ASSY

SIZE: A1, CAGE CODE: 00779, DRAWING NO: 2141031

SCALE: 2:1, SHEET: 1 OF 1, REV: A1

X-ON Electronics

Largest Supplier of Electrical and Electronic Components

Click to view similar products for [Automotive Relays](#) category:

Click to view products by [TE Connectivity](#) manufacturer:

Other Similar products are found below :

[7-1414968-8](#) [7-1617345-6](#) [9-1617516-5](#) [G5CE1ASIDC12](#) [1393204-2](#) [1393302-3](#) [13Z99A115-0074](#) [1432872-1](#) [AR4-15F11-S01](#) [AR4-15H11](#)
[1617057-2](#) [1617058-6](#) [1617518-5](#) [2-1617057-2](#) [2-1617057-6](#) [2-1617058-3](#) [CB1F-M-12V-H15](#) [898H-1AH-D-001-12VDC](#) [AR4-11F11](#)
[AR4-15F11](#) [AR4-41F11](#) [24198-1](#) [4-1617057-0](#) [41FZ-200ACG-BSL](#) [5-1616920-2](#) [5-1617052-9](#) [5407-0011-HS](#) [CB1AF-M-12V-H59](#) [5-](#)
[1617346-8](#) [103-1AH-C-12VDC](#) [V23134A1052X299](#) [6-1393302-1](#) [897H-1AH-D-R1-U01-12VDC](#) [FTR-P3CP024W1-06](#) [1-1617057-8](#) [3-](#)
[1393305-1](#) [5436-0001-HS](#) [V23086-R1851-A502](#) [V23136-A0004-X075](#) [898H-1AH-D1SW-R1-12VDC](#) [RH4C1P2607](#) [RE031005](#)
[V23134M0052G242](#) [1393204-1](#) [23234B0001X001-EV-144](#) [AZ979-1A-24D](#) [2-1904020-1](#) [V23134B0052C642](#) [V23134B0053C642](#) [V23234-](#)
[A1001-X036](#)