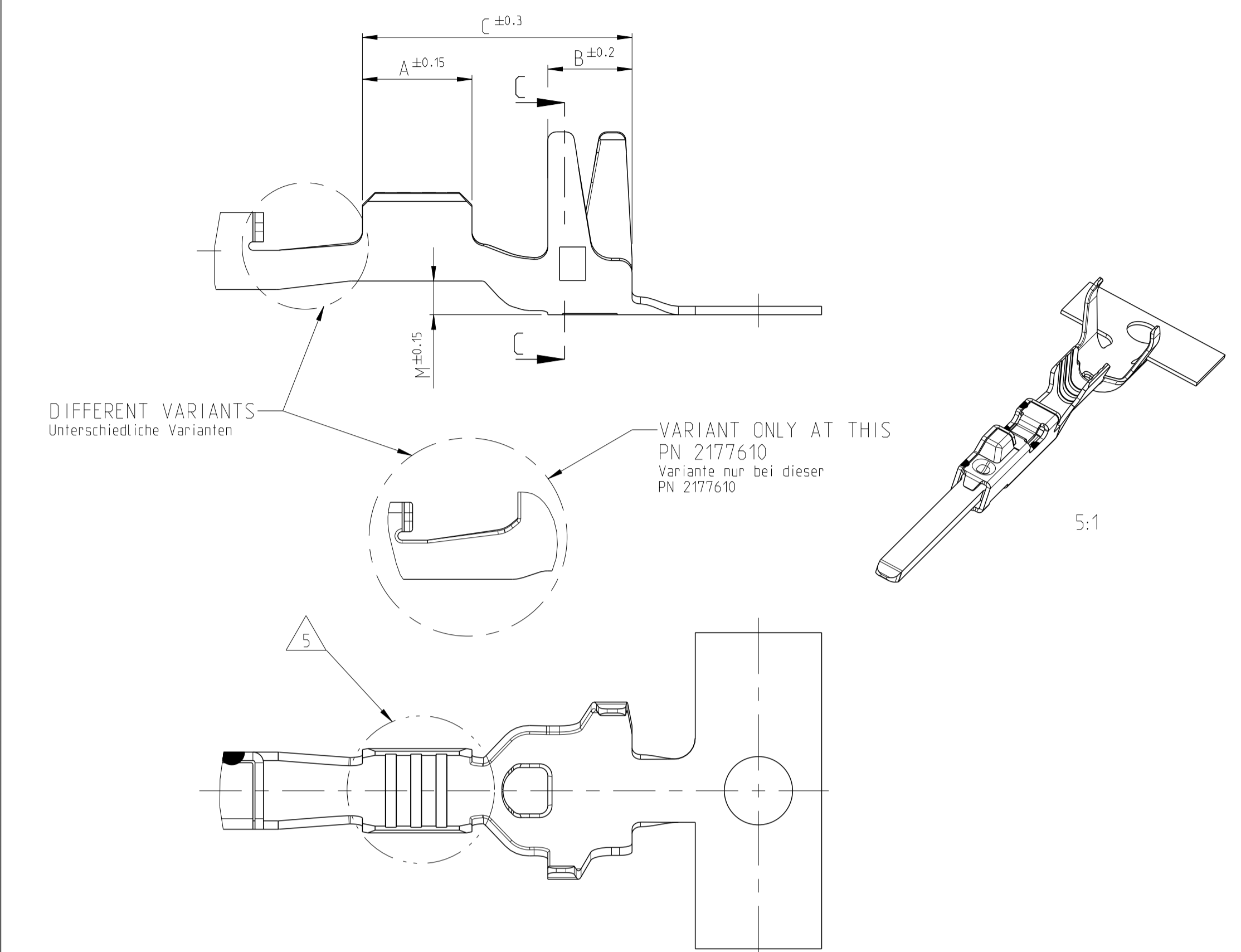


SINGLE WIRE SEALING SYSTEM  
Einzelleiter- Dichtungs- System

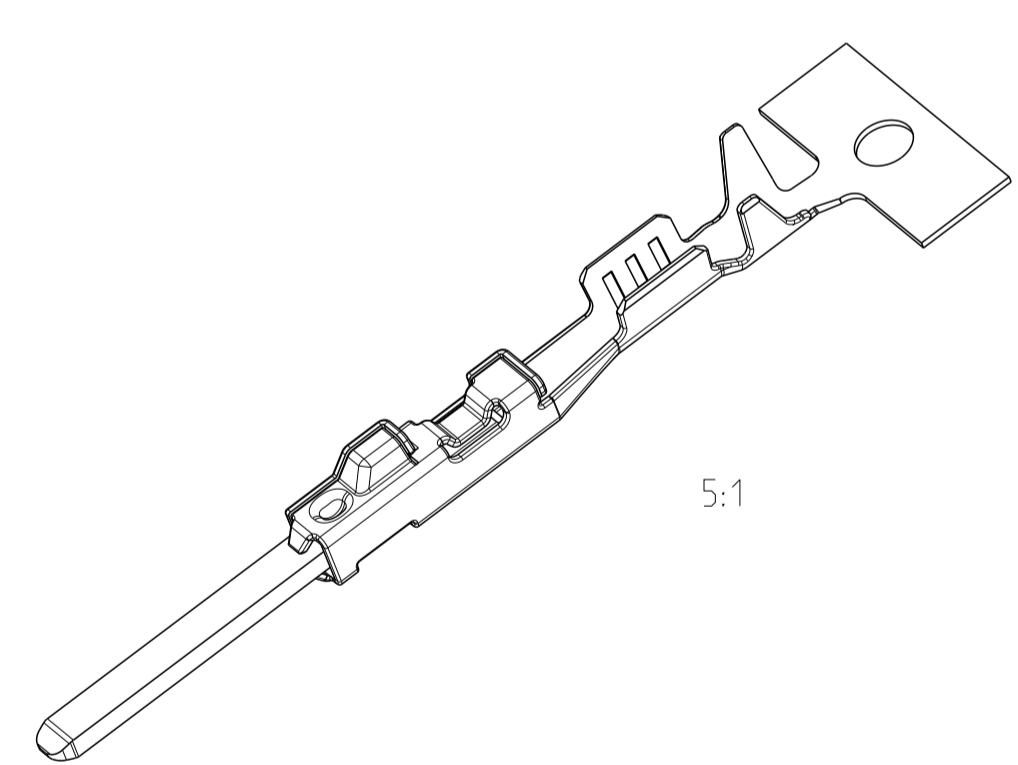


LOC	DIST	REVISIONS			
A1	-	REV	DATE	BY	APPV
PROJEKT NR.:	B7	1718348-3 INACTIVE. ECR-13-010542	01JUL2013	SG	RM
	B8	ECR-15-009168	17JUN2015	VH	MC
	B9	ADDED PNs 2141114-1, 2141116-1 AND 2177610-1	16MAY2016	SCK	M.C.
	B10	PN 1718348-3 Re-activated. ECR-17-011651	10AUG2017	JJH	MC

WIRE - CRIMP Draht- Crimp	STANDARD INSULATION CRIMP Standard Isolations- Crimp	SINGLE WIRE CRIMP Einzeldichtungs - Crimp
B-B	C-C	C-C

ORDER NO. Bestell-Nr.	REV	ORDER NO. Bestell-Nr.	WIRE RANGE Drahtgrößen- bereich (mm²)	INSULATION-Ø Isolation-Ø (mm)	BODY Kontaktkörper	TAB Flachstecker	BODY Kontaktkörper	TAB Flachstecker	LENGTH Laenge	WIRE CRIMP Drahtcrimp	INSULATION CRIMP Isolationscrimp	DIMENSION MASS - L' (mm)	INSULATION CRIMP FOR Isolationscrimp	
Strip Bandware		LOOSE PIECE Einzelausführung			MATERIAL Werkstoff		SURFACE Oberfläche		CRIMP DIMENSIONS Crimpabmessungen (mm)					
2177610-3	A	-	1.0-1.5	1.9-2.4	CuSn4	CuSn0.15/0.20	TIN PLATED verzinkt		A = 3.0 B = 2.0 C = 6.8	E = 2.6 G = 2.9 D <sub>br</sub> = 1.35	H = 4.4 K = 4.3 D <sub>iso</sub> = 2.9 M = 0.8	16.8	SINGLE WIRE SEALING SYSTEM Einzeldichtungs-system	
2177610-1	A	-	0.5-0.75	1.4-1.9	CuSn4	CuSn0.15/0.20	TIN PLATED verzinkt		A = 2.6 B = 2.0 C = 6.4	E = 2.0 G = 2.1 D <sub>br</sub> = 1.1	H = 4.2 K = 4.3 D <sub>iso</sub> = 2.7 M = 0.8	16.3	SINGLE WIRE SEALING SYSTEM Einzeldichtungs-system	
2141116-3	B	-	0.25-0.35	1.1-1.6	CuSn4	CuSn0.15/0.20	TIN PLATED verzinkt		A = 2.6 B = 2.0 C = 6.4	E = 1.8 G = 1.8 D <sub>br</sub> = 0.8	H = 4.2 K = 4.3 D <sub>iso</sub> = 2.6 M = 0.8	16.3	SINGLE WIRE SEALING SYSTEM Einzeldichtungs-system	
2141114-3	B	-	1.0-1.5	1.9-2.4	CuSn0.15/0.20	CuSn0.15/0.20	TIN PLATED verzinkt		A = 3.0 B = 2.0 C = 6.1	E = 2.6 G = 2.9 D <sub>br</sub> = 1.35	H = 3.7 K = 3.9 D <sub>iso</sub> = 2.1 M = 0.2	16.3	SINGLE WIRE SEALING SYSTEM Einzeldichtungs-system	
1718352-3	-	-	0.5-0.75	1.4-1.9	CuSn0.15/0.20	CuSn0.15/0.20	TIN PLATED verzinkt		A = 3.0 B = 2.0 C = 6.1	E = 2.0 G = 2.1 D <sub>br</sub> = 1.1	H = 2.7 K = 2.9 D <sub>iso</sub> = 1.6 M = 0.2	16.3	FLR CABLE Leitung	
1718350-3	B	1718390-3	0.25-0.35	1.1-1.6	CuSn0.15/0.20	CuSn0.15/0.20	TIN PLATED verzinkt		A = 2.6 B = 2.0 C = 5.7	E = 1.8 G = 1.8 D <sub>br</sub> = 0.8	H = 2.6 K = 2.6 D <sub>iso</sub> = 1.4 M = 0.2	15.3	FLR CABLE Leitung	
1718350-2	B	1718390-2												
1718350-1	B	1718390-1												
1718348-3	A	1703698-3												
1718348-2	A	1703698-2												
1718348-1	A	1703698-1												

- LASER WELDED  
Lasergeschweisst
- REVISION STATUS  
Revisionsstand
- CONTACT AREA TAB MIN. 0.8µm SELECTIV GOLD OVER Ni  
Kontaktzone selectiv vergoldet min.0.8µm ueber Ni
- CONTACT AREA TAB MIN. 2.0µm SELECTIV SILVER  
Kontaktzone selectiv versilbert min.2.0µm
- RETENTION FORCE INSERT TAB PUSHED INSIDE BODY MIN. 40N  
Haltekræfte Insertab in Body "gedrueckt" min. 40N
- DIFFERENT FORM OF THE SERRATIONS AND WIRE-CRIMP POSSIBLE  
unterschiedliche Ausfuehrung der Rillen und des Draht-Crimps moeglich
- SEE APPLICATION SPECIFICATION TE-SPEC. 114-18464  
siehe Verarbeitungsspezifikation



<b>B10</b>	PRODUCT CHARACTERISTICS ACC. QMP_EMEA_012 BESONDERE MERKMALE NACH QMP_EMEA_012	TOLERANCING ISO 8015 TOLERIERUNG ISO 8015	APV: J. SIENKIEWICZ CHK: G. HOTEA DATE: 29APR2004	TE Connectivity <b>MCON 1.2 TAB-CB-TERMINAL</b> <b>MCON 1.2 Tab-CB-Flachstecker</b>	RESTRICTED TO NUR FÜR
THIS DRAWING IS A CONTROLLED DOCUMENT. Dieses Zeichnungsstück ist ein durch AMP kontrolliertes Dokument. ANWENDER: PLS FOR TECHNICAL SUPPORT CONTACT YOUR LOCAL SALES REPRESENTATIVE OR AMP DIRECTLY.		OTHERWISE SPECIFIED: TOLERANZEN UNLESS ALGEMEINTOLERANZEN	APV: W. Mueller CHK: G. HOTEA DATE: 29APR2004		NAME: MCON 1.2 TAB-CB-TERMINAL MCON 1.2 Tab-CB-Flachstecker
DIMENSIONS: MASS/MÄSSEN (mm)		OTHERWISE SPECIFIED: TOLERANZEN UNLESS ALGEMEINTOLERANZEN	APV: W. Mueller CHK: G. HOTEA DATE: 29APR2004	SIZE: A1	CAGE CODE: 00779
MATERIAL: -		FINISH/SCHLEIFLÄCHE/FARBE: -	WEIGHT GEWICHT: -	DRAWING NO. ZEICHNUNGS-NR.: 114-18464	SCALE MASSSTAB: 10:1
Customer Drawing		/KUNDENZEICHNUNG		SHEET BLATT: 1	OF VON: 1
				REV B10	

## X-ON Electronics

Largest Supplier of Electrical and Electronic Components

*Click to view similar products for [Automotive Connectors](#) category:*

*Click to view products by [TE Connectivity](#) manufacturer:*

Other Similar products are found below :

[003-018-000](#) [60403001](#) [60993906-B](#) [M902-2131](#) [M902-2161](#) [72.330.1035.1](#) [73.353.4028.0](#) [F119300-B](#) [F166900](#) [F258300-B](#) [F358300-B](#)  
[F407400](#) [F444110](#) [F487000](#) [F509500B-B](#) [827153-1](#) [8N1515-32-24P](#) [9-1326729-8](#) [925474-1](#) [928905-1](#) [964562-4](#) [968782-1](#) [GT17SA-8DS-](#)  
[HU](#) [98891-1012](#) [98947-1016](#) [12004147](#) [12004475-L](#) [12010290](#) [12010309-B](#) [12015454](#) [12020219-B](#) [12020308](#) [12041318-B](#) [12052225-L](#)  
[12052466](#) [12059125](#) [12064869](#) [12004327-B](#) [12010503-B](#) [12015308](#) [12015384](#) [12015909](#) [1-21030-1](#) [12041254](#) [12041318](#) [12047946-B](#)  
[12047957](#) [12047957-L](#) [12059473](#) [12066261](#)