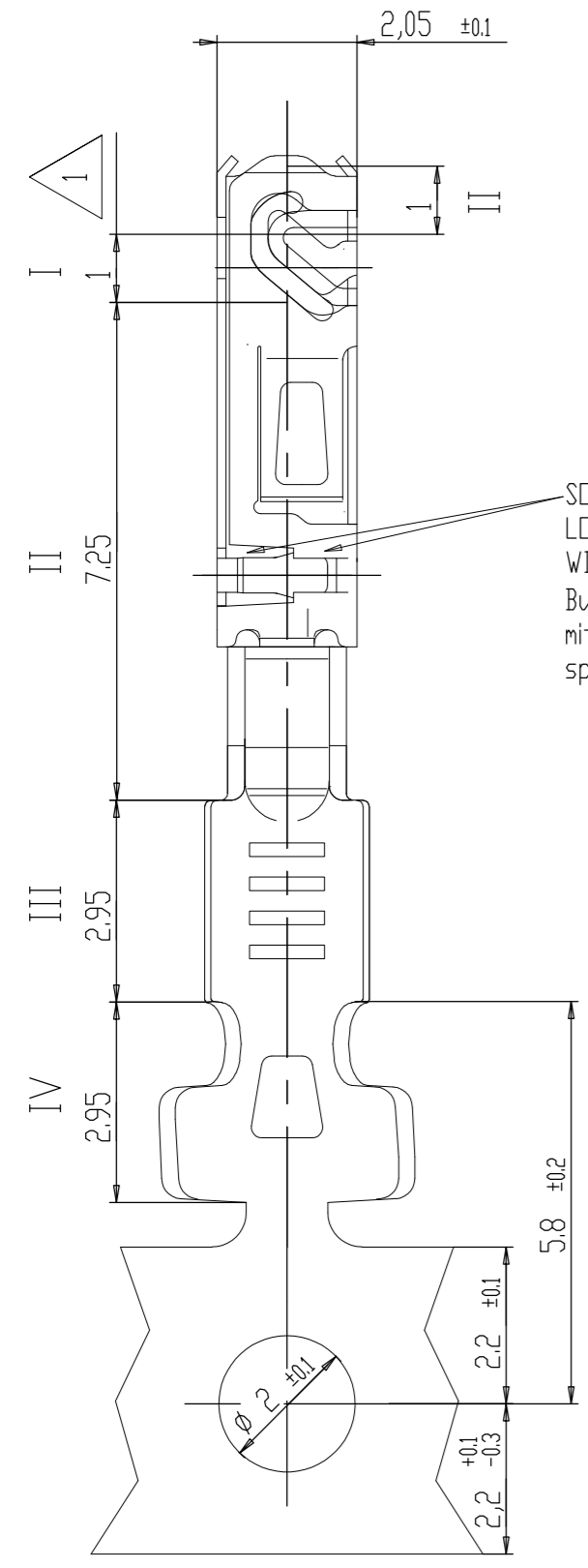


THIS DRAWING IS UNPUBLISHED. RELEASED FOR PUBLICATION
 © COPYRIGHT - By - ALL RIGHTS RESERVED.

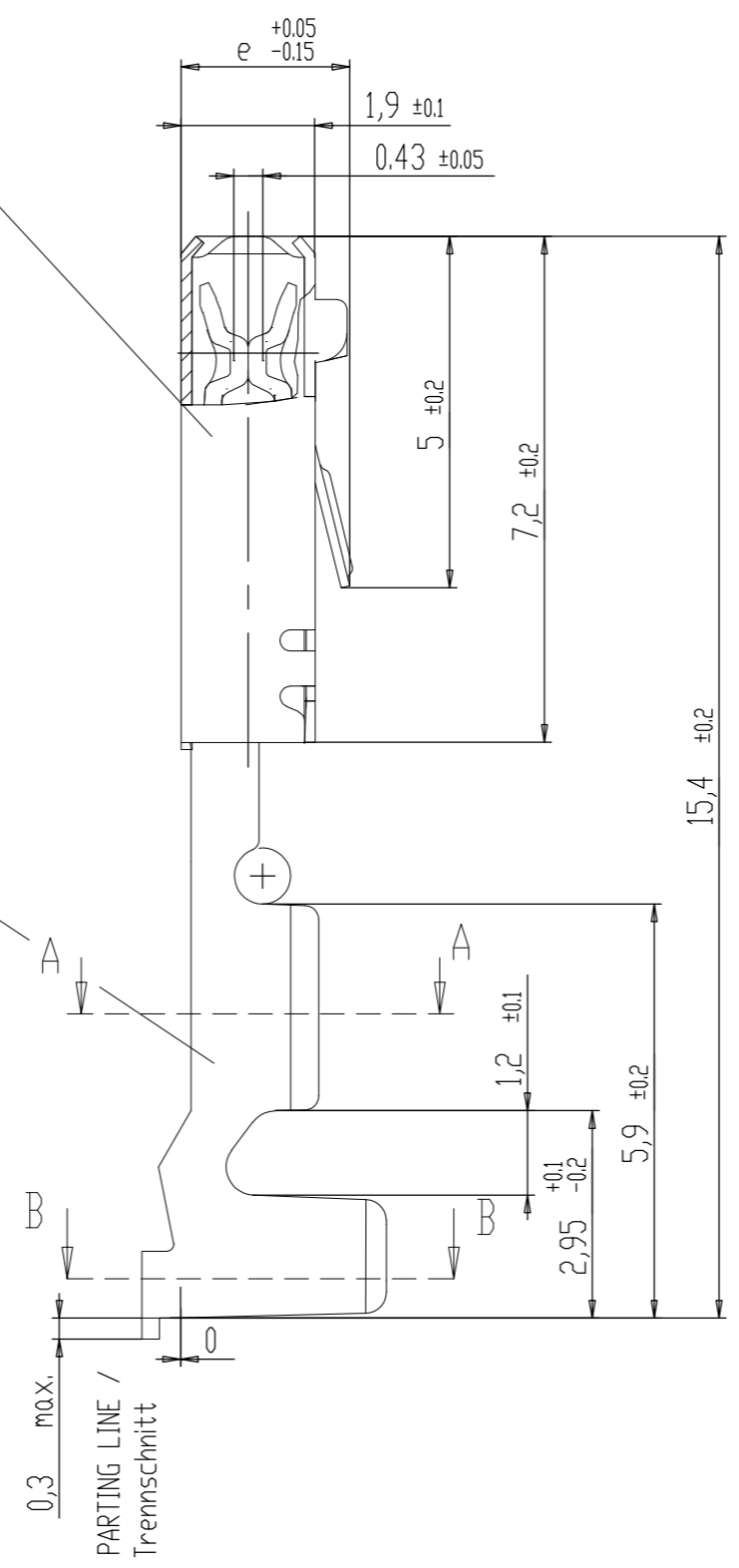
REVISIONS					
P	LTR	DESCRIPTION	DATE	DWN	APVD
	A5	ECR-13-007210	29APR2013	Leim	-
	A6	PART 4-1411572-1 IS ADDED	22DEC2016	GH	RV
	A7	Dimension 'e' for 4-1411572-1 is changed to 2.55	27JAN2017	GH	RV
	A8	DATE OF REVISION A7 IS CHANGED TO 27JAN2017	28MAR2017	GH	RV



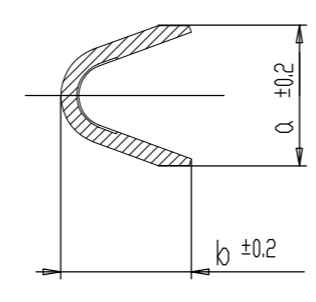
LOCKING SLEEVE
 MATERIAL:
 X10CrNi8-8
 NO SURFACE
 SHOWN Sn-VERSION
 Rasthulse
 Werkstoff:
 X10CrNi8-8
 Oberfläche: blank
 dargestellt Sn-Ausführung

SOCKET CONTACT WITH
 LOCKING SLEEVE CLAMPED
 WITHOUT CLEARANCE
 Buchsenkontakt
 mit Rasthulse
 spielfrei verklammt

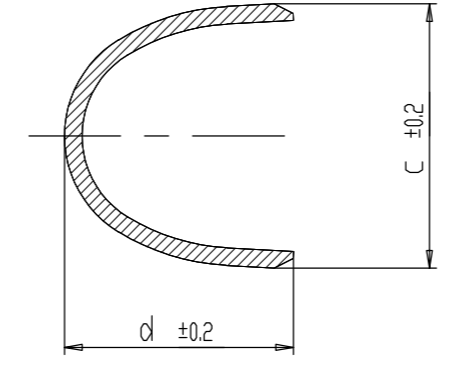
SOCKET CONTACT
 MATERIAL:
 CuNi2Si
 SURFACE SEE TABLE
 Buchsenkontakt
 Werkstoff:
 CuNi2Si
 Oberfläche: siehe Tabelle



Schnitt A-A



Schnitt B-B



ONLY THE GERMAN-LANGUAGE VERSION
 SHALL BE BINDING .
 Massgebend ist der deutsche Text .

- 1 DIP GREASED WITH OPTIMOL, 10% SOLUTION IN ALCOHOL
 Befettung: Schutzfilm Optimol, 10% Loesung in Testbenzin
- 2 LENGHT AND ANGLES: DIN 7168-m; FORM AND POSITION: DIN ISO 2768-mH
 Laengen und Winkel: DIN 7168-m ; Form und Lage: DIN ISO 2768-mH

SURFACE / Oberfläche

VERSION Ausführung	PLATING THICKNESS Schichtdicke
Sn	2±1 µm Sn HOT-DIP TINNED / feuerverzinkt
Au	Zone I >= 1 µm Au OVER 2±1 µm Ni >= 1 µm Au ueber 2±1 µm Ni
	Zone II Au- AND/OR Sn-RUNOUT OVER <= 4 µm Ni Au- bzw. Sn-Auslauf ueber <= 4 µm Ni
	Zone III 2±1 µm Sn GALV. OVER <= 1 µm Ni 2±1 µm Sn galv. ueber <= 1 µm Ni
	Zone IV >= 1 µm Sn OVER <= 1 µm Ni >=1 µm Sn ueber <= 1 µm Ni

4-1411572-1	A	0.35-0.5	Sn	2	1.85	3.75	3.1	2.55	0.2	ROTATED gedreht		
												a
2-1411573-1	A	0.75	Sn	2.40	2.45	3.75	3.1	2.55	0.2	ROTATED gedreht		
0-1411572-2	A	0.35 - 0.5	Au	2	1.85	3.75	3.1	2.4	0.2	ROTATED gedreht	REPLACES FOR / Ersatz fuer: 0-1411556-2	
0-1411572-1	A	0.35 - 0.5	Sn	2	1.85	3.75	3.1	2.4	0.2	ROTATED gedreht	REPLACES FOR / Ersatz fuer: 1-1411556-1	
TE ORDER NO. TE Best.-Nr.	Rev.	CONDUCTOR SIZE Leitungs- querschnitt	SURFACE Ober- flaeche	DIMENSION Mass					WEIGHT Gewicht	REMARKS Bemerkungen		

THIS DRAWING IS A CONTROLLED DOCUMENT.

DWN	G.Abraham	23AUG2000
CHK	C.Goepfel	05AUG2000
APVD	M.Bleicher	24NOV2003

TE Connectivity

NAME: Buchsenkontakt ELO seal, Crimp-Version
 SOCKET CONTACT ELO SEAL, CRIMP-VERSION

PRODUCT SPEC: 108-94155
 APPLICATION SPEC: 114-18432

SIZE: A2 CAGE CODE: 00779 DRAWING NO: 1411611 RESTRICTED TO: -

CUSTOMER DRAWING SCALE: 10:1 SHEET: 1 of 1 REV: A8

X-ON Electronics

Largest Supplier of Electrical and Electronic Components

Click to view similar products for [Automotive Connectors](#) category:

Click to view products by [TE Connectivity](#) manufacturer:

Other Similar products are found below :

[003-018-000](#) [60403001](#) [60993906-B](#) [M902-2131](#) [M902-2161](#) [M902-2344](#) [72.330.1035.1](#) [73.353.4028.0](#) [F119300-B](#) [F166900](#) [F258300-B](#)
[F358300-B](#) [F407400](#) [F444110](#) [F487000](#) [F509500B-B](#) [827153-1](#) [8N1515-32-24P](#) [9-1326729-8](#) [925474-1](#) [928905-1](#) [964562-4](#) [968782-1](#)
[GT17SA-8DS-HU](#) [98891-1012](#) [98947-1016](#) [12004147](#) [12004475-L](#) [12010290](#) [12015454](#) [12020219-B](#) [12041318-B](#) [12052225-L](#) [12052466](#)
[12064869](#) [12004327-B](#) [12015308](#) [12015384](#) [12015909](#) [1-21030-1](#) [12041254](#) [12041318](#) [12047946-B](#) [12047957](#) [12047957-L](#) [12059473](#)
[12066261](#) [12110546](#) [12110546-B](#) [12131792](#)