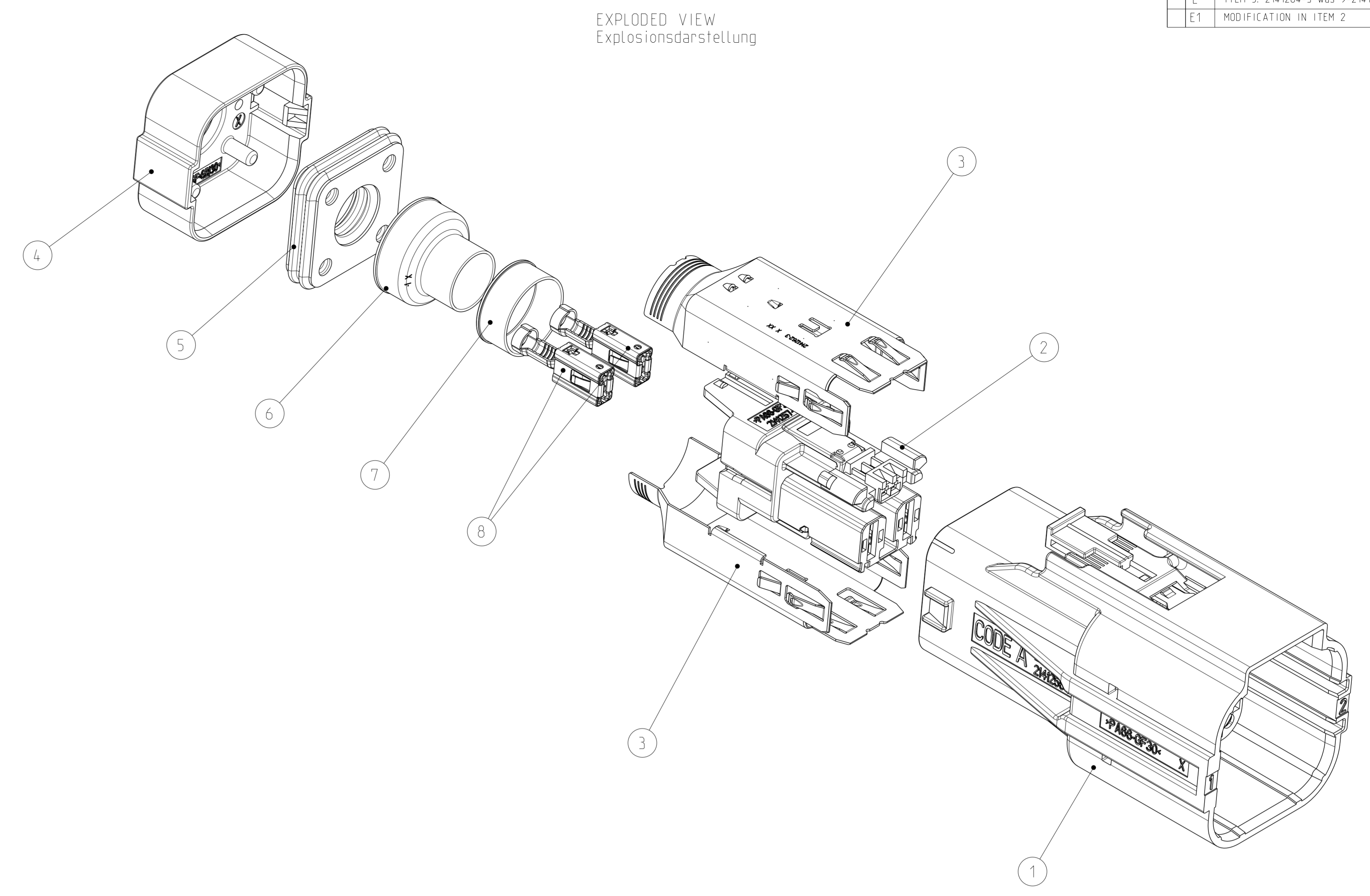
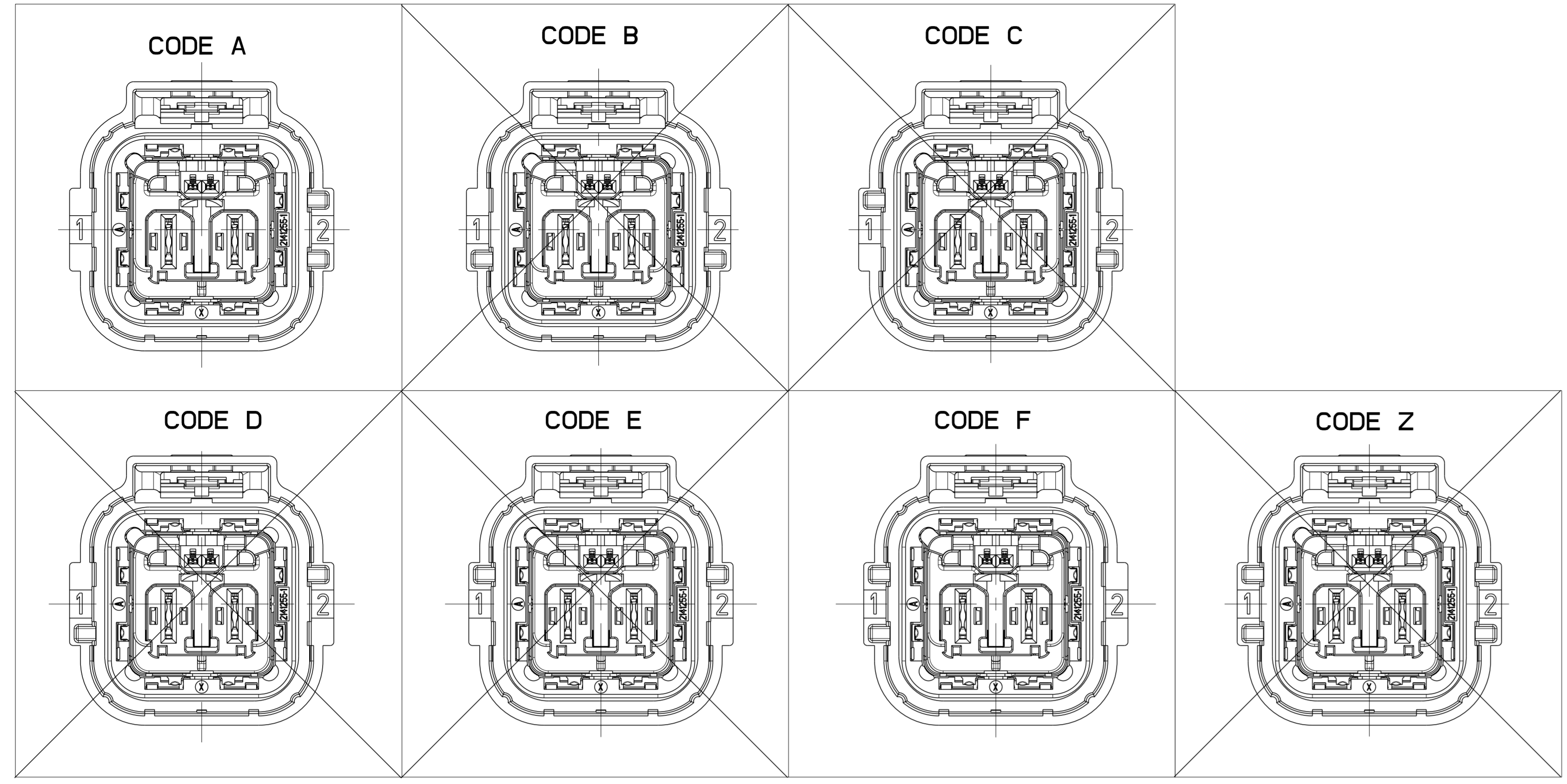


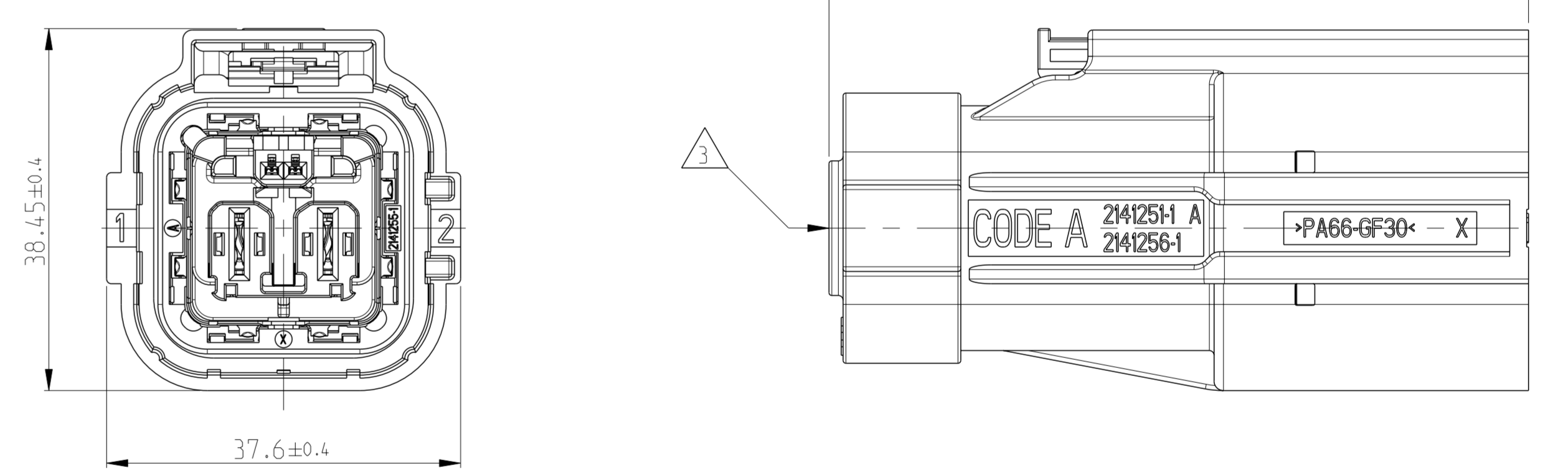
| REV. | DATE | BY | CHK | APPV | DESCRIPTION |
|------|------------|-----|-----|------|-----------------------------------|
| C | 24FEB2015 | RSC | AKE | | REFLECTOR RIBS ON INSERT ADDED |
| D | 02.AND2015 | RSC | AKE | | ITEM 5: 9-2141264-2 was 2141264-3 |
| E | 29NOV2016 | RSC | KKI | | ITEM 5: 2141264-3 was 9-2141264-2 |
| E1 | 27MAR2019 | SK | TS | | MODIFICATION IN ITEM 2 |



EXPLODED VIEW
Explosionsdarstellung

| ITEM | COMPONENT PN | DESCRIPTION | MATERIAL | COLOUR/SURFACE | QTY / Anzahl | | | | | | | | | |
|------------------------------|--------------|-------------------------------|----------------------------|----------------------|---------------------------|---------------------------|-----------------------------|-----------------------------|-------------|---|---|---|---|--|
| | | | | | 2 | 2 | 2 | 2 | 2 | 2 | 2 | 2 | | |
| 8 | 2-1241408-3 | AMP MCP 6,3/4,8 | CuNiSi | SEL. Ag PLATED | 2 | 2 | 2 | 2 | 2 | 2 | 2 | 2 | 2 | |
| E1 | 1-2141261-1 | SHIELD CRIMP FERRULE, INNER | STAINLESS STEEL | BLANK | 1 | 1 | 1 | 1 | 1 | 1 | 1 | 1 | 1 | |
| E1 | 1-2141263-4 | SHIELD CRIMP FERRULE, OUTSIDE | STAINLESS STEEL | BLANK | - | - | - | - | 1 | 1 | 1 | 1 | 1 | |
| 6 | 1-2141263-3 | SHIELD CRIMP FERRULE, OUTSIDE | STAINLESS STEEL | BLANK | 1 | 1 | 1 | 1 | - | - | - | - | - | |
| | 2141264-4 | SINGLE WIRE SEAL | SILICON | YELLOW | - | - | - | - | 1 | 1 | 1 | 1 | 1 | |
| 5 | 2141264-3 | SINGLE WIRE SEAL | SILICON | BLUE | 1 | 1 | 1 | 1 | - | - | - | - | - | |
| | 2141265-4 | COVER | PA6(GF+GB)30 | ORANGE | - | - | - | - | 1 | 1 | 1 | 1 | 1 | |
| 4 | 2141265-3 | COVER | PA6(GF+GB)30 | ORANGE | 1 | 1 | 1 | 1 | - | - | - | - | - | |
| | 2141262-3 | SHIELDING, EMC | CuNiSi | SEL. Ag PLATED | 2 | 2 | 2 | 2 | 2 | 2 | 2 | 2 | 2 | |
| E1 | 2 | 2141259-1 | 2POS. MIXED, REC HSG. ASSY | PA66-GF30 | BLACK | 1 | 1 | 1 | 1 | 1 | 1 | 1 | 1 | |
| 1 | 1-2141256-6 | 2POS REC HSG. ASSY, COD F | PA66-GF30 SILICON | HSG ORANGE CPA RED | - | - | - | - | - | - | - | - | - | |
| | 1-2141256-1 | 2POS REC HSG. ASSY, COD A | | HSG ORANGE CPA BROWN | - | - | 1 | - | - | - | - | 1 | - | |
| | 2141256-6 | 2POS REC HSG. ASSY, COD F | | HSG ORANGE CPA BLACK | 1 | - | - | - | - | 1 | - | - | - | |
| | 2141256-1 | 2POS REC HSG. ASSY, COD A | | | | | | | | | | | | |
| CRIMPING TOOL NO. | | | | | 528041-9 | | | | 1-528041-0 | | | | | |
| WIRE ISOLATION DIAMETER [mm] | | | | | 10.7 - 11.3 | | | | 12.2 - 12.8 | | | | | |
| VARIANT (TE KIT NUMBER) | | | | | 2x4mm 2 COD.A (2287490-1) | 2x4mm 2 COD.F (2287490-6) | 2x6mm 2 COD.A (1-2287490-1) | 2x6mm 2 COD.F (1-2287490-6) | | | | | | |

ASSEMBLED CONDITION (ILLUSTRATION WITHOUT CABLE)
Zusammengebauter Zustand (Darstellung ohne Leitung)



- NOTES
Bemerkungen
- THE GERMAN TEXT IS BINDING
Der deutsche Text ist verbindlich
 - ASSEMBLED NOT FOR SALE. DESCRIBES ONLY THE DELIVERY AMOUNT AND THE MOUNTING STATE WITHOUT CABLE
Zusammengebaut kein Verkaufsteil, stellt einzig den Lieferumfang und den Montagezustand ohne Leitung dar
 - MIN BENDING RADIUS OF CABLE ACCORDING TO SPECIFICATION OF CABLE SUPPLIER.
Min. Leitungsbiegeradius gemäss Leitungsspezifikation des Herstellers.
 - ADAPTIVE CABLES SEE SPECIFICATION 114-94100
Anwendbare Leitungen siehe Verarbeitungsspezifikation 114-94100

PRODUCT CHARACTERISTICS ACC. IEC 60384-12
BESONDERE MERKMALE NACH IEC 60384-12

TOLERANCING ISO 9001
TOLERIERUNG ISO 9001

THIS DRAWING IS A CONTROLLED DOCUMENT.
DIESE ZEICHNUNG IST EIN KONTROLLIERTES DOKUMENT.

DATE: 070C1201G
BY: J. Schwab
CHECKED: 070C1201G
DATE: 070C1201G
BY: J. Witzel
CHECKED: 070C1201G
DATE: 070C1201G
BY: J. Kettler
CHECKED: 070C1201G

PROJ. NO.: 105-54264
PROJ. SPEC.: HV CONNECTOR
APPLICATION SPEC.: HV CONNECTOR
VERIFICATION SPEC.: HV CONNECTOR

MATERIAL: SEE
WEIGHT: 57g
Customer Drawing

SCALE: 1:1
SHEET: 1 OF 1
REV: F1

STE TE Connectivity
2POS.MCP6.3.PLUG HSG.HV4630 KIT HV CONNECTOR

SIZE: A0
CASE CODE: 00779
DRAWING NO.: 2287490
REVISION: C

X-ON Electronics

Largest Supplier of Electrical and Electronic Components

Click to view similar products for [Automotive Connectors](#) category:

Click to view products by [TE Connectivity](#) manufacturer:

Other Similar products are found below :

[003-018-000](#) [60403001](#) [60993906-B](#) [M902-2131](#) [M902-2161](#) [M902-2344](#) [72.330.1035.1](#) [73.353.4028.0](#) [F119300-B](#) [F166900](#) [F258300-B](#)
[F358300-B](#) [F407400](#) [F444110](#) [F487000](#) [F509500B-B](#) [827153-1](#) [8N1515-32-24P](#) [9-1326729-8](#) [925474-1](#) [928905-1](#) [964562-4](#) [968782-1](#)
[GT17SA-8DS-HU](#) [98891-1012](#) [98947-1016](#) [12004147](#) [12004475-L](#) [12010290](#) [12010309-B](#) [12015454](#) [12020219-B](#) [12041318-B](#) [12052225-](#)
[L](#) [12052466](#) [12064869](#) [12004327-B](#) [12015308](#) [12015384](#) [12015909](#) [1-21030-1](#) [12041254](#) [12041318](#) [12047946-B](#) [12047957](#) [12047957-L](#)
[12059473](#) [12066261](#) [12110546](#) [12110546-B](#)