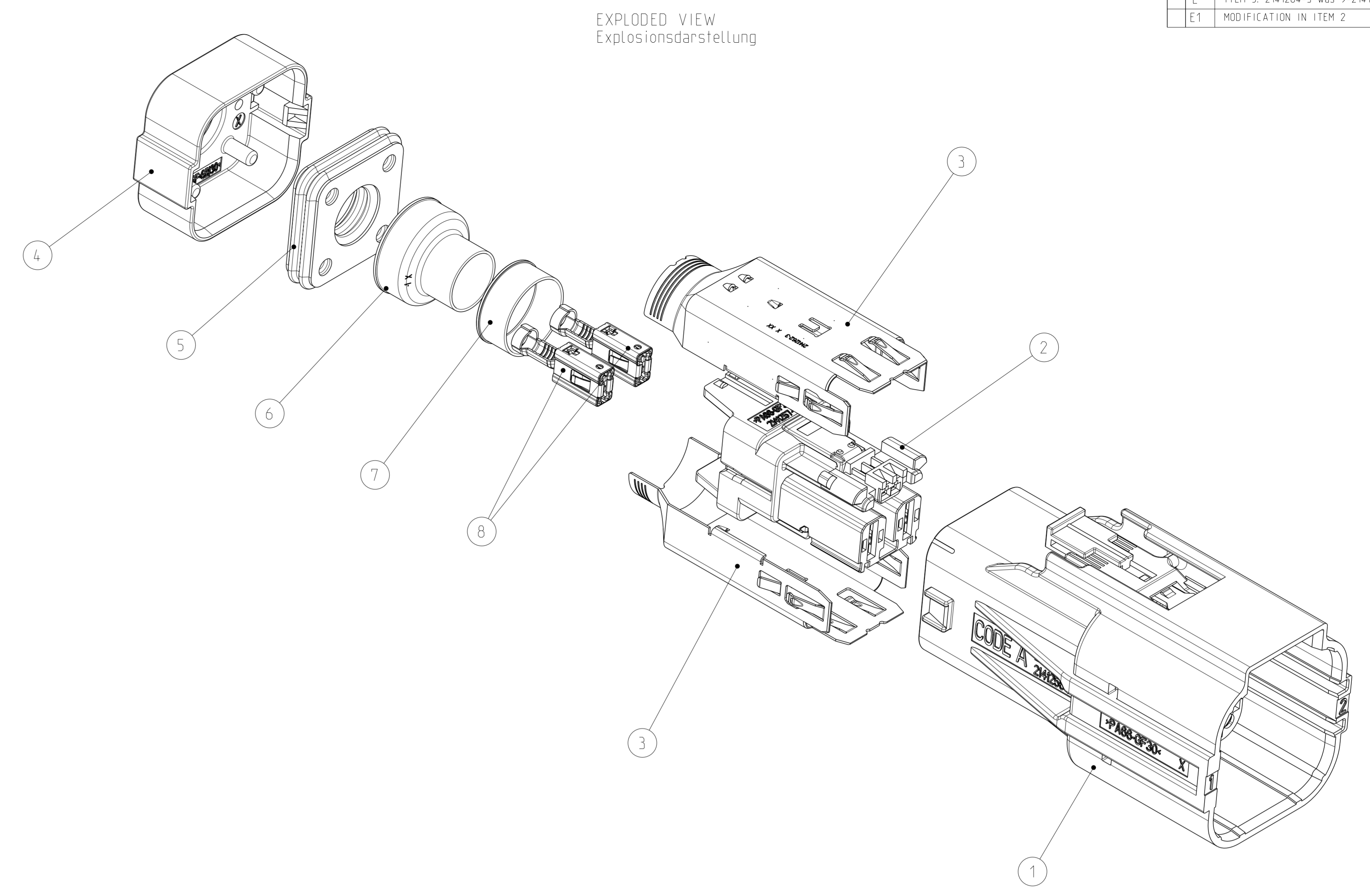
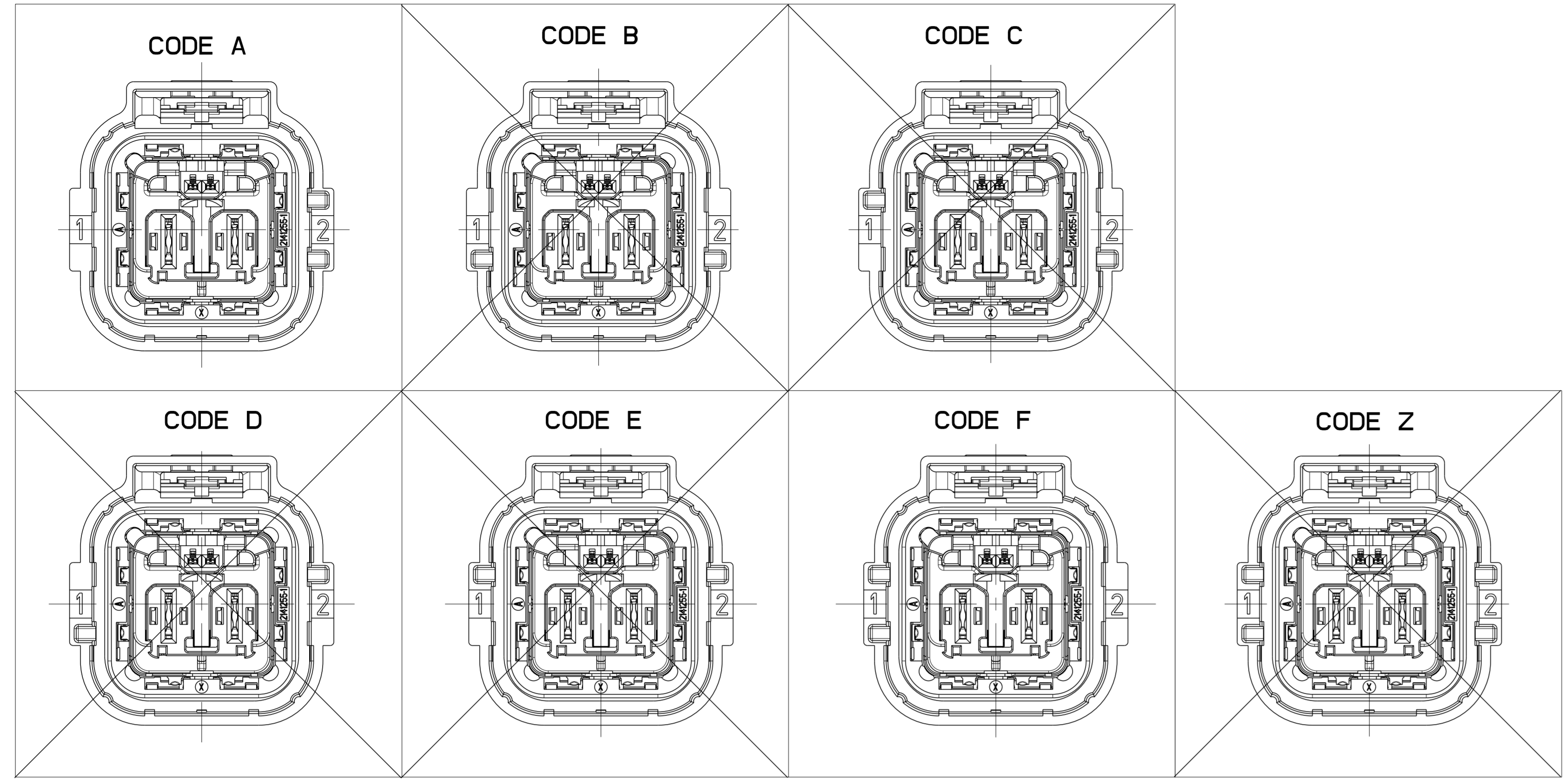
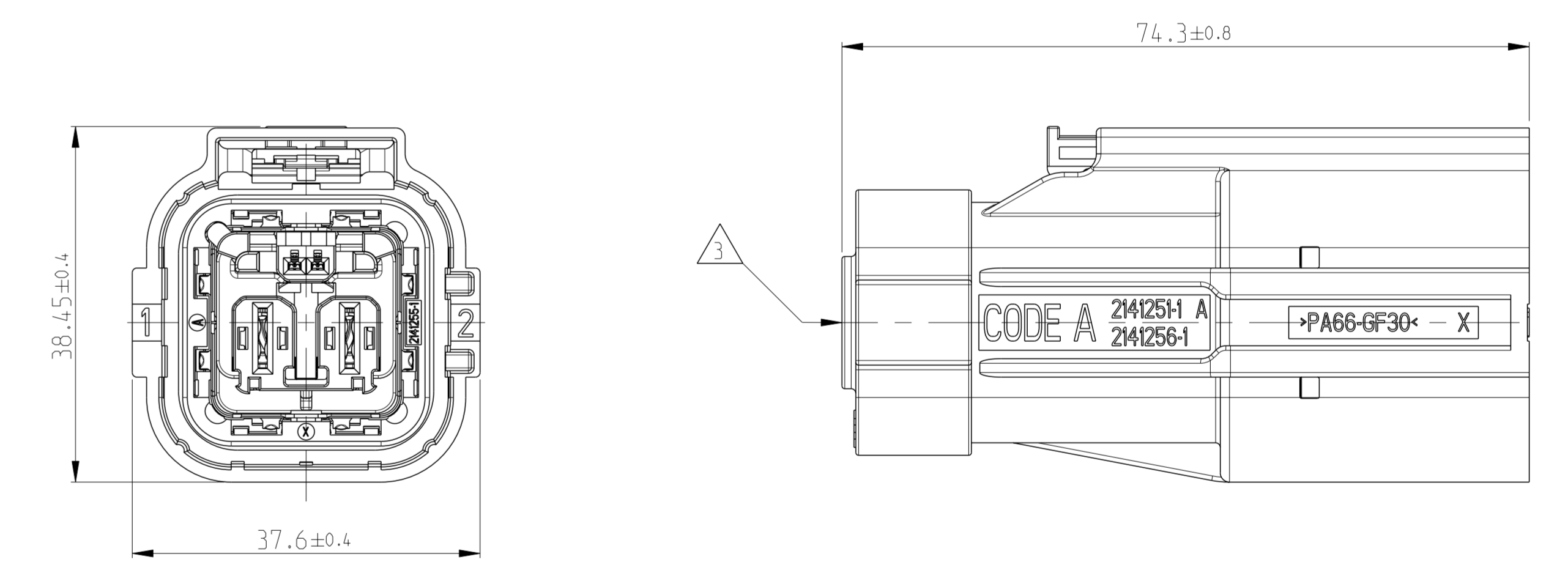


REV. NO.	DATE	DESCRIPTION	BY	CHK	APPV
C	24FEB2015	DEFLECTOR RIBS ON INSERT ADDED		RSC	AKK
D	02.AN.2015	ITEM 5: 9-2141264-2 was 2141264-3		RSC	AKK
E	29NOV2016	ITEM 5: 2141264-3 was 9-2141264-2		RSC	KKI
E1	27MAR2019	MODIFICATION IN ITEM 2		SK	TS



ASSEMBLED CONDITION (ILLUSTRATION WITHOUT CABLE)
Zusammengebauter Zustand (Darstellung ohne Leitung)



ITEM	COMPONENT PN	DESCRIPTION	MATERIAL	COLOUR/SURFACE	QTY / Anzahl												
					2	2	2	2	2	2	2	2	2	2			
8	2-1241408-3	AMP MCP 6,3/4,8	CuNiSi	SEL. Ag PLATED	2	2	2	2	2	2	2	2	2	2	2		
E1	7	1-2141261-1	SHIELD CRIMP FERRULE,INNER	STAINLESS STEEL	BLANK	1	1	1	1	1	1	1	1	1	1		
E1	6	1-2141263-4	SHIELD CRIMP FERRULE,OUTSIDE	STAINLESS STEEL	BLANK	-	-	-	-	1	1	1	1	1	1		
		1-2141263-3	SHIELD CRIMP FERRULE,OUTSIDE	STAINLESS STEEL	BLANK	1	1	1	1	-	-	-	-	-	-		
		2141264-4	SINGLE WIRE SEAL	SILICON	YELLOW	-	-	-	-	1	1	1	1	1	1		
		2141264-3	SINGLE WIRE SEAL	SILICON	BLUE	1	1	1	1	-	-	-	-	-	-		
		2141265-4	COVER	PA6(GF+GB)30	ORANGE	-	-	-	-	1	1	1	1	1	1		
		2141265-3	COVER	PA6(GF+GB)30	ORANGE	1	1	1	1	-	-	-	-	-	-		
		2141262-3	SHIELDING, EMC	CuNiSi	SEL. Ag PLATED	2	2	2	2	2	2	2	2	2	2		
E1	2	2141259-1	2POS. MIXED, REC HSG. ASSY	PA66-GF30	BLACK	1	1	1	1	1	1	1	1	1	1		
1		1-2141256-6	2POS REC HSG. ASSY, COD F	PA66-GF30 SILICON	HSG ORANGE CPA RED	-	-	-	-	-	-	-	-	-	-		
		1-2141256-1	2POS REC HSG. ASSY, COD A		HSG ORANGE CPA BROWN	-	1	-	-	-	-	1	-	-	-	-	
		2141256-6	2POS REC HSG. ASSY, COD F		HSG ORANGE CPA BLACK	1	-	-	-	-	1	-	-	-	-	-	
		2141256-1	2POS REC HSG. ASSY, COD A		HSG ORANGE CPA BLACK	1	-	-	-	-	1	-	-	-	-	-	
CRIMPING TOOL NO.					528041-9					1-528041-0							
WIRE ISOLATION DIAMETER [mm]					10.7 - 11.3					12.2 - 12.8							
VARIANT (TE KIT NUMBER)						2x4mm 2 COD.A (2287490-1)				2x4mm 2 COD.F (2287490-6)				2x6mm 2 COD.A (1-2287490-1)		2x6mm 2 COD.F (1-2287490-6)	

- NOTES
Bemerkungen
- THE GERMAN TEXT IS BINDING
Der deutsche Text ist verbindlich
 - ASSEMBLED NOT FOR SALE. DESCRIBES ONLY
THE DELIVERY AMOUNT AND THE MOUNTING STATE WITHOUT CABLE
Zusammengebaut kein Verkaufsteil, stellt einzig den Lieferumfang und den Montagezustand ohne Leitung dar
 - MIN BENDING RADIUS OF CABLE
ACCORDING TO SPECIFICATION OF CABLE SUPPLIER.
Min. Leitungsbiegeradius gemäss Leitungsspezifikation des Herstellers.
 - ADAPTIVE CABLES SEE SPECIFICATION 114-94100
Anwendbare Leitungen siehe Verarbeitungsspezifikation 114-94100

PRODUCT CHARACTERISTICS ACC. OMP EMEA_12 BESONDERE MERKMALE NACH OMP EMEA_12	TOLERANCING ISO 8015 TOLERIERUNG ISO 8015	DATE: 070C T201G DW: 070C T201G	NAME: 2POS.MCP6.3.PLUG HSG.HVA630 KIT HV CONNECTOR
DIMENSIONING AND TOLERANCING PER GPS ISO STANDARDS	DRIVING DIM: 070C T201G DIMENSIONS: 070C T201G	DATE: 070C T201G DW: 070C T201G	SCALE: 1:1
THIS DRAWING IS A CONTROLLED DOCUMENT. DIESE ZEICHNUNG IST EIN KONTROLLIERTES DOKUMENT.	DATE: 070C T201G DW: 070C T201G	DATE: 070C T201G DW: 070C T201G	SCALE: 1:1
REV. NO. DATE DESCRIPTION 0 P.L.C. 2708-0X 1 P.L.C. 2708-0X 2 P.L.C. 2708-0X 3 P.L.C. 2708-0X 4 P.L.C. 2708-0X	DATE: 070C T201G DW: 070C T201G	DATE: 070C T201G DW: 070C T201G	SCALE: 1:1
MATERIAL: SEE	WEIGHT: 57g	DATE: 070C T201G DW: 070C T201G	SCALE: 1:1

X-ON Electronics

Largest Supplier of Electrical and Electronic Components

Click to view similar products for [Automotive Connectors](#) category:

Click to view products by [TE Connectivity](#) manufacturer:

Other Similar products are found below :

[003-018-000](#) [60403001](#) [60993906-B](#) [M902-2131](#) [M902-2161](#) [72.330.1035.1](#) [73.353.4028.0](#) [F119300-B](#) [F166900](#) [F258300-B](#) [F358300-B](#)
[F407400](#) [F444110](#) [F487000](#) [F509500B-B](#) [827153-1](#) [8N1515-32-24P](#) [9-1326729-8](#) [925474-1](#) [928905-1](#) [964562-4](#) [968782-1](#) [GT17SA-8DS-](#)
[HU](#) [98891-1012](#) [98947-1016](#) [12004147](#) [12004475-L](#) [12010290](#) [12010309-B](#) [12015454](#) [12020219-B](#) [12020308](#) [12041318-B](#) [12052225-L](#)
[12052466](#) [12059125](#) [12064869](#) [12004327-B](#) [12010503-B](#) [12015308](#) [12015384](#) [12015909](#) [1-21030-1](#) [12041254](#) [12041318](#) [12047946-B](#)
[12047957](#) [12047957-L](#) [12059473](#) [12066261](#)