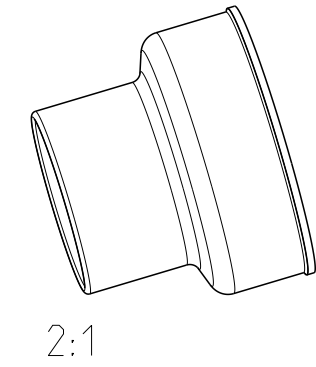
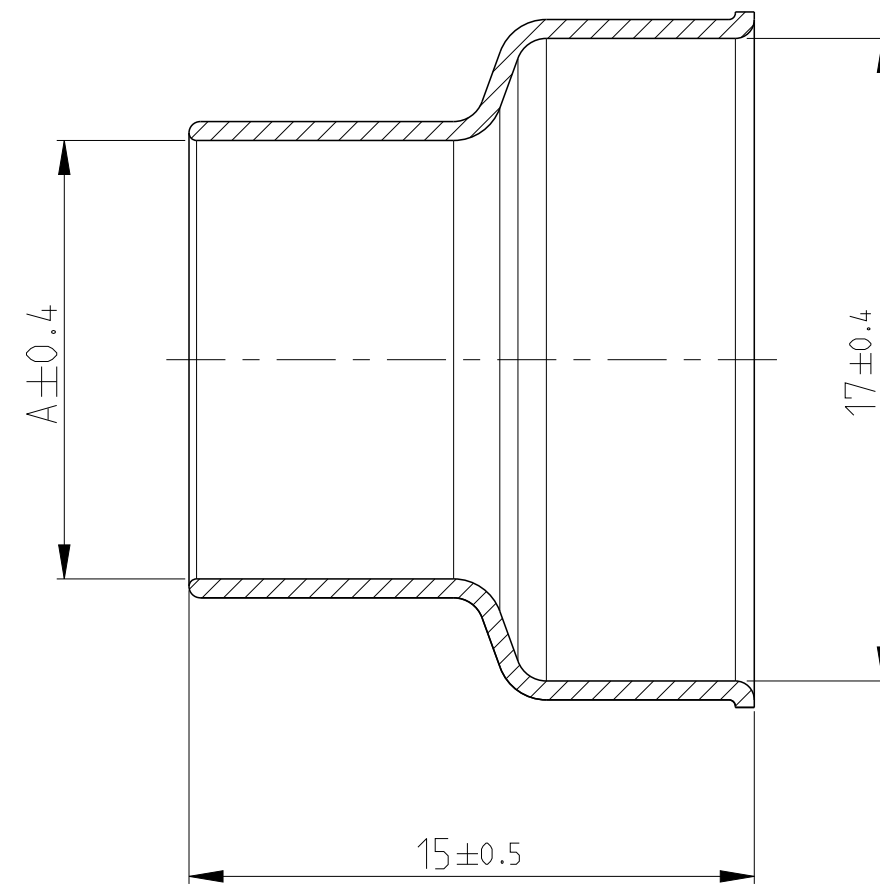
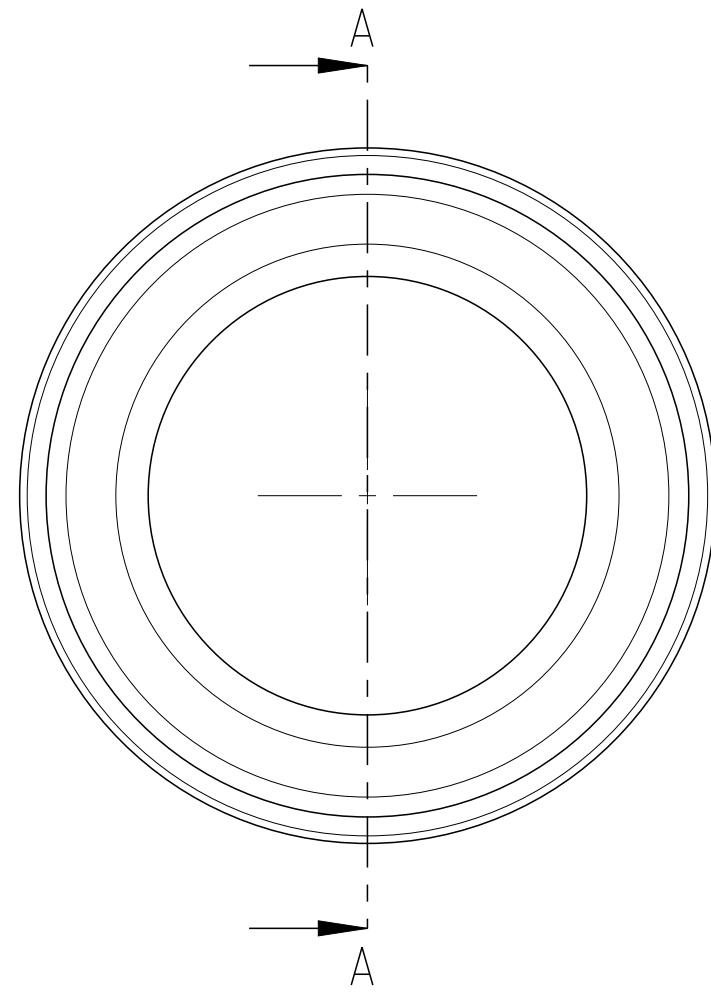


THIS DRAWING IS UNPUBLISHED. RELEASED FOR PUBLICATION 2011
 © COPYRIGHT 2011 ALL RIGHTS RESERVED.

LOC		DIST		REVISIONS			
P	LTR	DESCRIPTION		DATE	DWN	APVD	
	B	NEW VARIANTS ADDED		10JUL2012	RSC	TRE	
	B1	INSCRIPTION REMOVED		06APR2015	AHM	TRE	
	C	SMALL SERIES SHEET 2/2 OBSOLETE		13JAN2017	RSC	KKI	
	C1	VARIANT 1-2141263-3 /-4 ADDED		05MAR2018	RSC	RSC	



A-A

NOTES
Bemerkungen

- 1 THE GERMAN TEXT IS BINDING
Der deutsche Text ist verbindlich
- 2 PACKING: BULK PACKAGING IN CORRUGATED SHIPPING BOX
Verpackung: Schuettgut in Versandkarton
- 3 USED ON 2 POS. HV, REC HSG, DRAWING 2287490
Verwendet fuer 2pol. gedichtete Assy. HV, Zeichnung 2287490

C1	1-2141263-4	SHIELD CRIMP FERRULE, OUTSIDE (DEEP DRAWN PART)	DEEP DRAWN PART Tiefziehteil	13.1	12.2 - 12.8	STAINLESS STEEL Edelstahl	3
	C1	1-2141263-3		11.6	10.7 - 11.3		
	2141263-4	SHIELD CRIMP FERRULE, OUTSIDE (TURNED PART)	TURNED PART Drehteil	13.1	12.2 - 12.8		
	2141263-3			11.6	10.7 - 11.3		
	2141263-2			10.2	9.3 - 9.9		
	2141263-1			10.8	9.9 - 10.5		
	TE-ORDER-NO.			DESCRIPTION	PRODUCTION PROCESS	DIMENSION A	CABLE DIAMETER [mm]

2141263-3
AS SHOWN
wie gezeigt

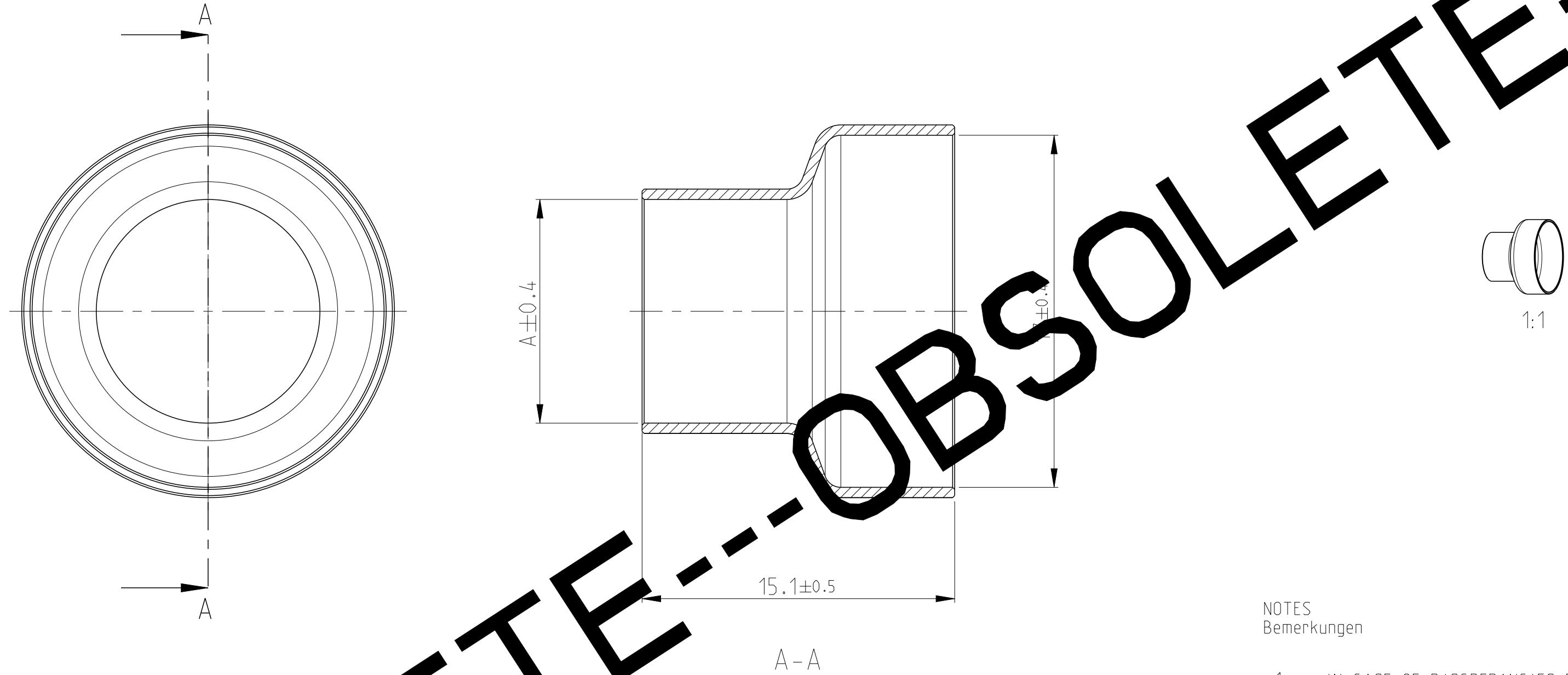
THIS DRAWING IS A CONTROLLED DOCUMENT. DIMENSIONING AND TOLERANCING PER GPS (ISO STANDARDS).		DWN Vishwa A 07FEB2010	STE TE Connectivity	
DIMENSIONS: mm		CHK R.Schwan 24NOV2011		
TOLERANCES UNLESS OTHERWISE SPECIFIED:		APVD T.Reissneger 24NOV2011	NAME SHIELD CRIMP FERRULE, OUTSIDE Crimphuelse	
0 PLC ±		PRODUCT SPEC 108-94264	SIZE CAGE CODE DRAWING NO RESTRICTED TO	
1 PLC ±		APPLICATION SPEC 114-94100	SCALE 5:1 SHEET 1 OF 2 REV C1	
2 PLC ±		WEIGHT SEE TABLE A2		
3 PLC ±		CUSTOMER DRAWING		
4 PLC ±				
ANGLES ±				
FINISH				

THIS DRAWING IS UNPUBLISHED.
 VERTRAULICHE UNVERÖFFENTLICHTE ZEICHNUNG
 © COPYRIGHT 2011

RELEASED FOR PUBLICATION
 FREI FUER VERÖFFENTLICHUNG
 ALL RIGHTS RESERVED.
 ALLE INTERNATIONALEN RECHTE VORBEHALTEN.

MATED WITH:
 PASSEND ZU:

LOC	DIST	REVISIONS			
P	LTR	DESCRIPTION	DATE	DWN	APVD
PROJEKT NR.:		SEE SHEET 1	-	-	-



OBSOLETE

NOTES
 Bemerkungen

- 1 IN CASE OF DISCREPANCIES BETWEEN GERMAN AND ENGLISH TEXT THE GERMAN TEXT IS BINDING
 Im Falle von Unterschieden zwischen dem deutschen und dem englischen Text ist der deutsche Text verbindlich
- 2 PACKING: BULK PACKAGING IN CORRUGATED SHIPPING BOX
 Verpackung: Schuettgut in Versandkarton
- 3 USED ON 2 POS. HV, REC HSG.
 Verwendet fuer 2pol. gedichtete Assy. HV 114-94100-1

TE-ORDER-NO.	REV	DESCRIPTION	DIMENSION A	FOR WIRE ISOLATION DIAMETER [mm]	MATERIAL	WEIGHT [g]
9-2141263-4	A	SHIELD CRIMP FERRULE, OUTSIDE	13.1	12.2 - 12.8	STAINLESS STEEL Edelstahl	3
9-2141263-3	A		11.6	10.7 - 11.3		
9-2141263-2	A		10.2	9.3 - 9.9		
9-2141263-1	A		10.8	9.9 - 10.5		

THIS DRAWING IS A CONTROLLED DOCUMENT. <small>DIESES ZEICHNUNGSDOKUMENT WIRD DURCH AMP INCORPORATED KONTROLLIERT. ANDERUNGEN, DIE DEM TECHNISCHEN FORTSCHRITT GEMÄß SIND, VORBEHALTEN. DEN JEWELN LETZTIGELIEN ANDERUNGSSTAND ERFAHREN SIE AUF ANFRAGE.</small>		DWN Vishwa A 07FEB2010	STE TE Connectivity		
DIMENSIONS: MASSE IN HEI TEN: (MM)		CHK R.Schwan 24NOV2011			
TOLERANCES UNLESS OTHERWISE SPECIFIED: ALLGEMEINTE TOLERANZEN		APVD T.Reissneger 24NOV2011	NAME SHIELD CRIMP FERRULE, OUTSIDE Crimphülse		
0 PLC ± 1 PLC ± 2 PLC ± 3 PLC ± 4 PLC ±		PRODUCT SPEC 108-94264	SIZE A2	CAGE CODE 00779	DRAWING NO. ZEICHNUNGS-NR. C-2141263
MATERIAL SEE		APPLICATION SPEC 114-94100	SCALE MASSSTAB 5:1	SHEET BLATT 2	OF VON 2
FINISH/OBERFLÄCHE/FARBE		WEIGHT GEWICHT SEE TABLE	RESTRICTED TO NUR FUER		REV C1
		CUSTOMER DRAWING	/KUNDENZEICHNUNG		

X-ON Electronics

Largest Supplier of Electrical and Electronic Components

Click to view similar products for [Automotive Connectors](#) category:

Click to view products by [TE Connectivity](#) manufacturer:

Other Similar products are found below :

[003-018-000](#) [60403001](#) [60993906-B](#) [M902-2131](#) [M902-2161](#) [M902-2344](#) [72.330.1035.1](#) [73.353.4028.0](#) [F119300-B](#) [F166900](#) [F258300-B](#)
[F358300-B](#) [F407400](#) [F444110](#) [F487000](#) [F509500B-B](#) [827153-1](#) [8N1515-32-24P](#) [9-1326729-8](#) [925474-1](#) [928905-1](#) [964562-4](#) [968782-1](#)
[GT17SA-8DS-HU](#) [98891-1012](#) [98947-1016](#) [12004147](#) [12004475-L](#) [12010290](#) [12010309-B](#) [12015454](#) [12020219-B](#) [12041318-B](#) [12052225-](#)
[L](#) [12052466](#) [12064869](#) [12004327-B](#) [12015308](#) [12015384](#) [12015909](#) [1-21030-1](#) [12041254](#) [12041318](#) [12047946-B](#) [12047957](#) [12047957-L](#)
[12059473](#) [12066261](#) [12110546](#) [12110546-B](#)