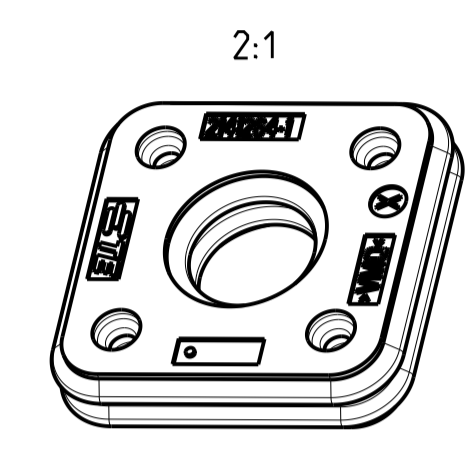
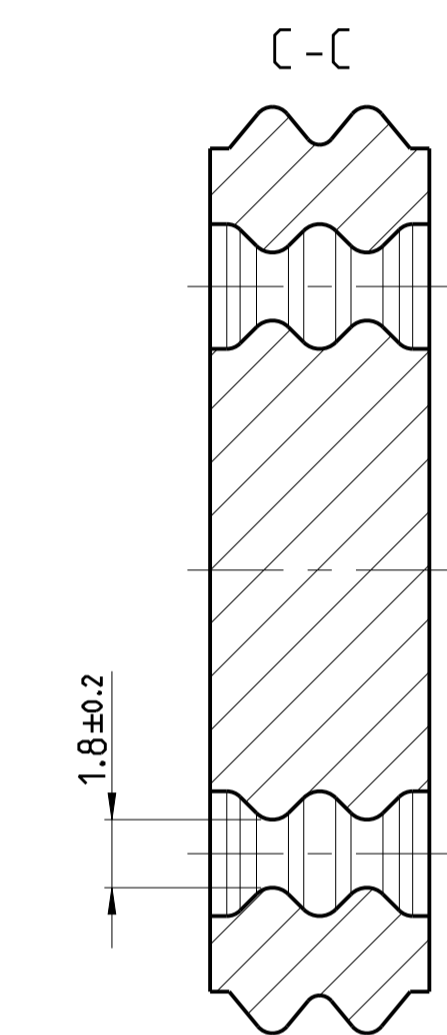
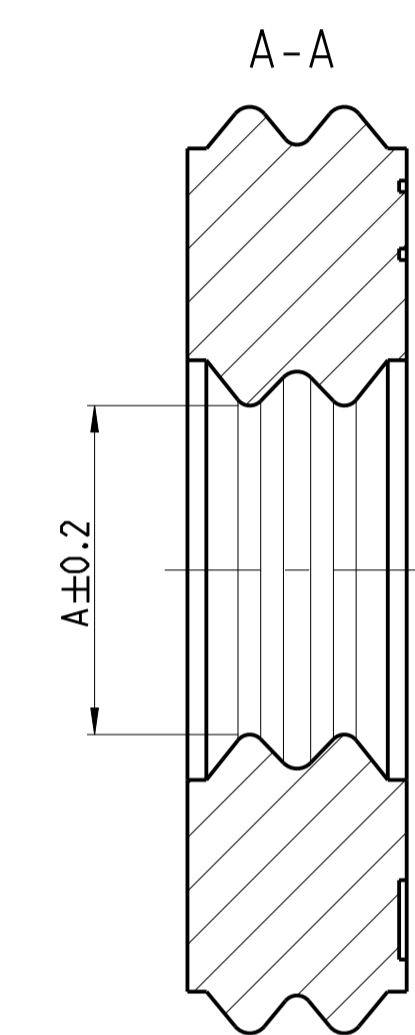
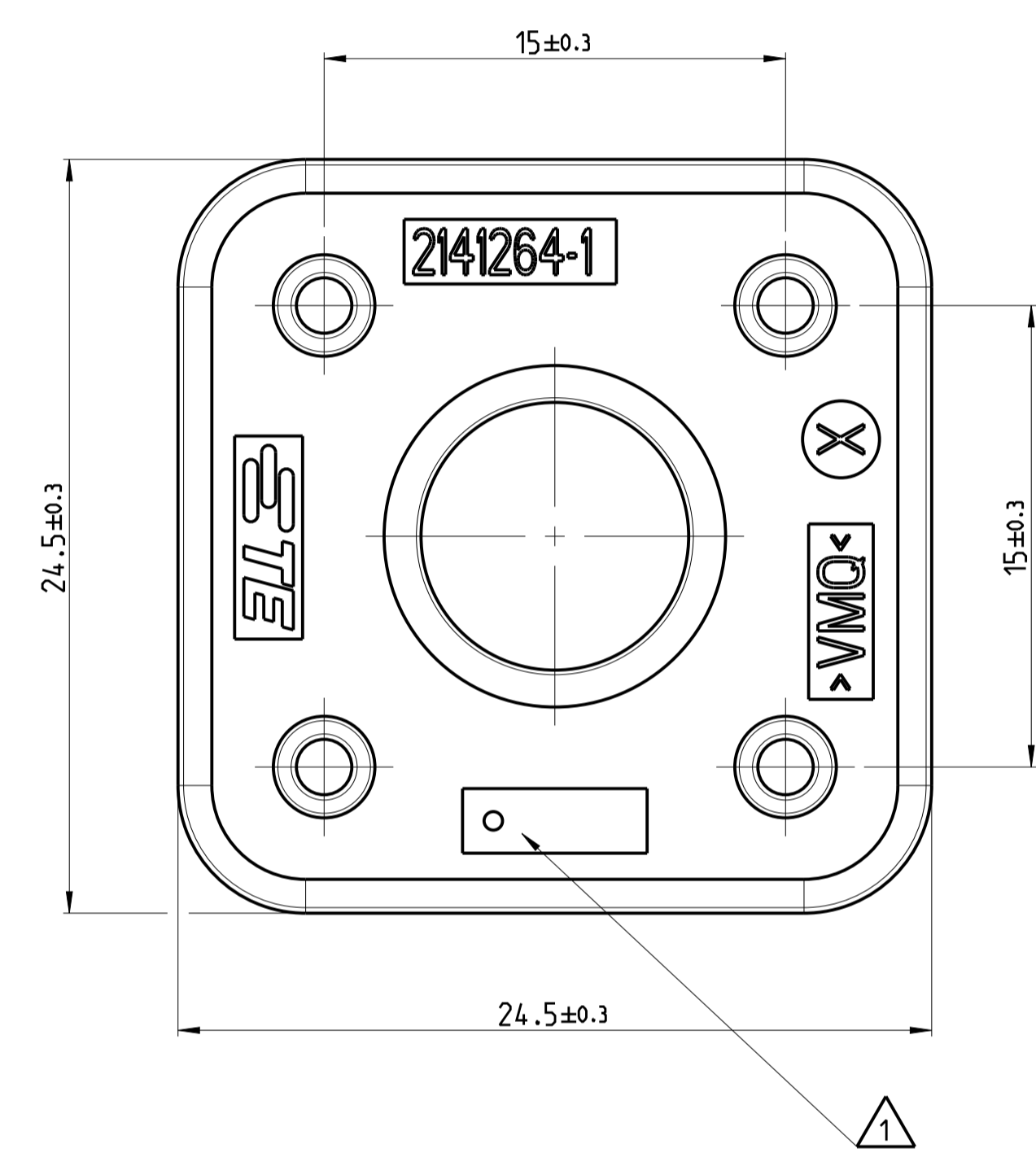


LOC	DIST	REVISIONS			
P	LTR	DESCRIPTION	DATE	DWN	APVD
C		0-2141264-3 Durchmesser 9.4 war 10.0	27MAY2015	RSC	FWI
C1		Revisionspunkte in Tabelle hinzu	24NOV2016	RSC	KKI
C2		0-2141264-2 has been reactivated	30MAR2021	SK	TS



TE ORDER NO.	REV	DESCRIPTION	DIMENSION A	FOR WIRE ISOLATION DIAMETER [mm]	MATERIAL	WEIGHT [g]	COLOUR
2141264-4	A (1 DOT)	SINGLE WIRE SEAL, AMP MCP6.3/4.8K Kabeldichtung einzeln, AMP MCP6.3/4.8K	11.5	12.2 - 12.8	SILICON	3	YELLOW
2141264-3	B (3 DOTS)		9.4	10.7 - 11.3			BLUE
2141264-2	A (1 DOT)		8.2	9.3 - 9.9			GREEN
2141264-1	-		8.7	9.9 - 10.5			WHITE

NOTE Bem.	FEATURE Merkmal	TE-PART-NO. Teil-Nr.
1	ENTIRE ASSEMBLY SEE Gesamtzusammenbau siehe	114-94100-1
2	PRODUCT-SPEC. Produkt-Spez.	108-94264
3	APPLICATION SPEC. Verarbeitungsspez.	114-94100

THIS DRAWING IS A CONTROLLED DOCUMENT. DIMENSIONING AND TOLERANCING PER GPS (ISO STANDARDS)

DW: Vishwa A 08FEB2011
 CHK: U. Hoedchner 28APR2011
 APVD: T. Reissenrodt 04MAY2011

STE TE Connectivity

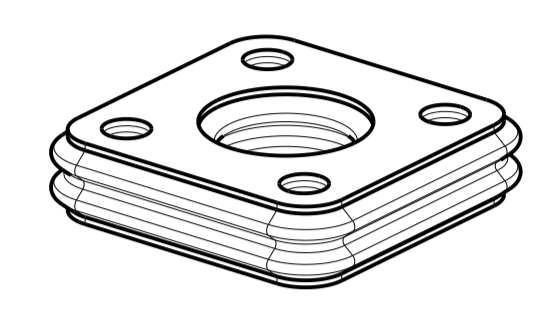
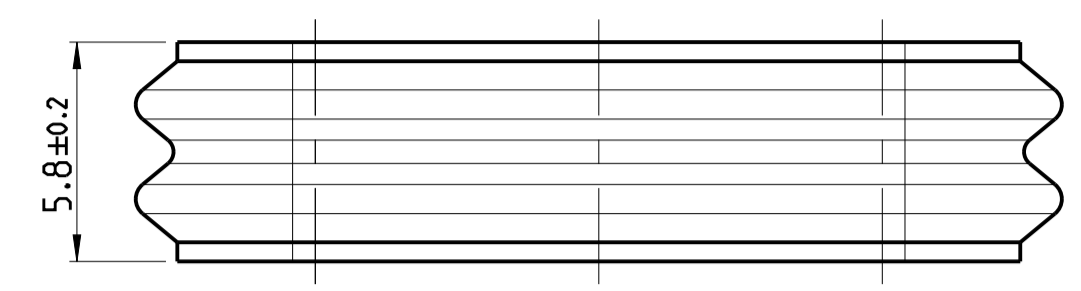
NAME: SINGLE WIRE SEAL, AMP MCP6.3/4.8K
 Kabeldichtung einzeln, AMP MCP6.3/4.8K

SIZE: CAGE CODE: DRAWING NO: A1 00779 ©=2141264

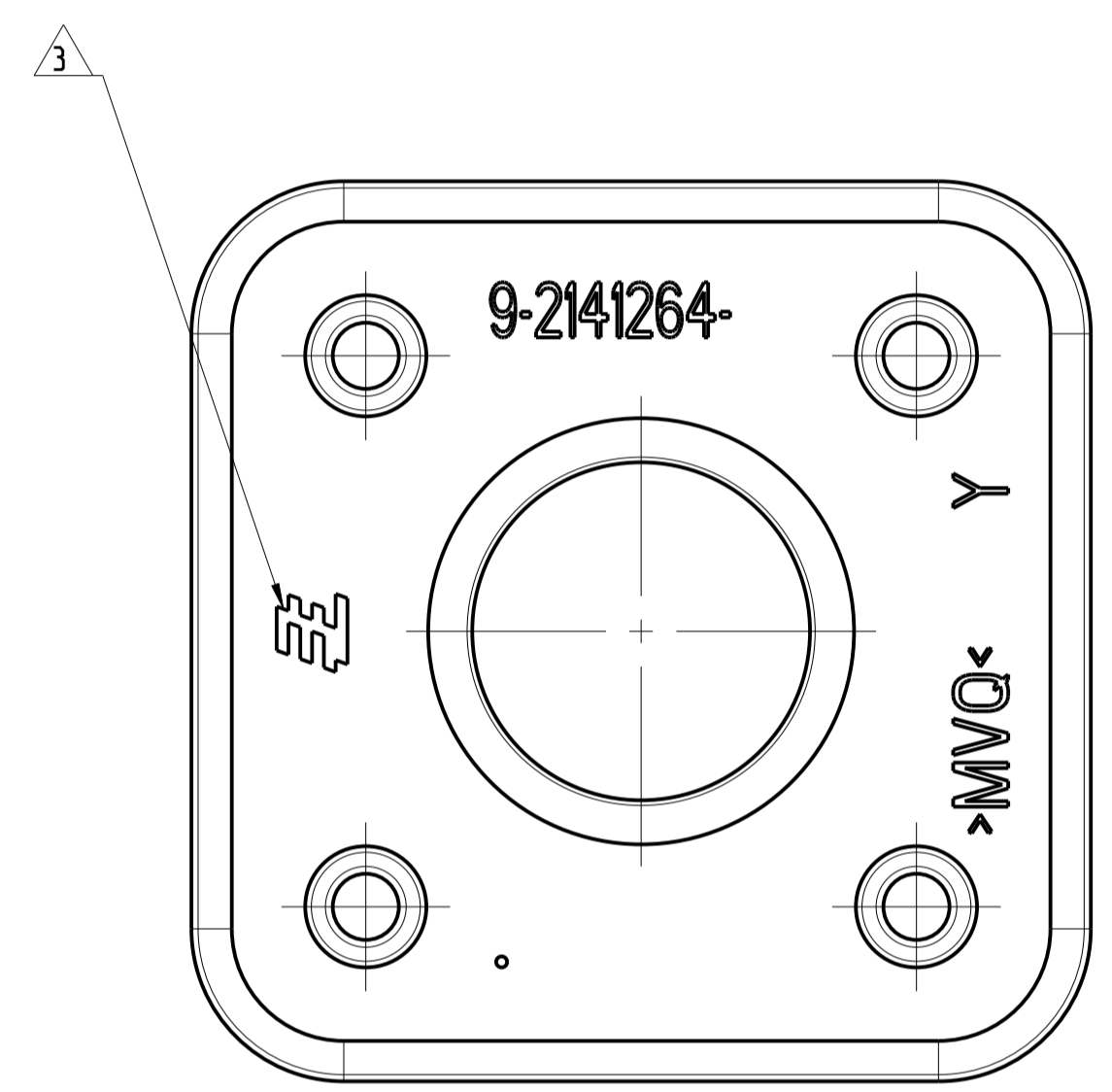
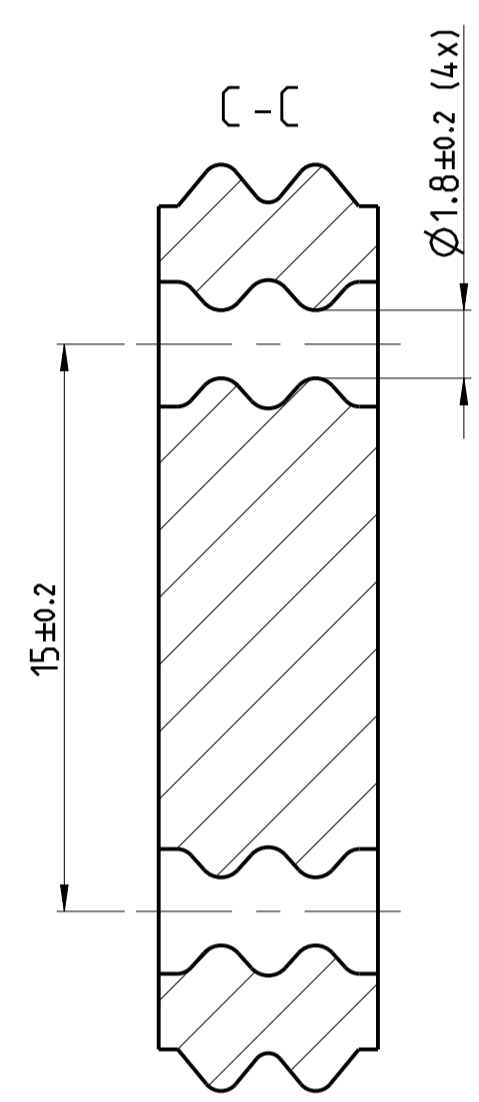
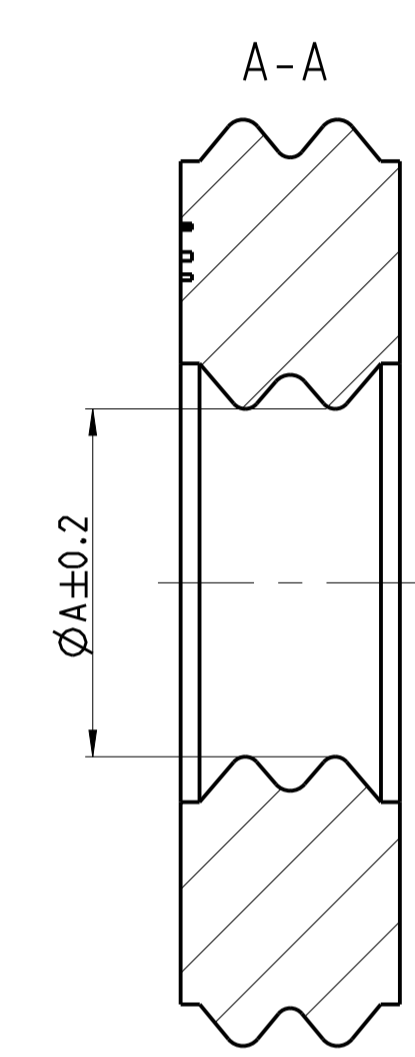
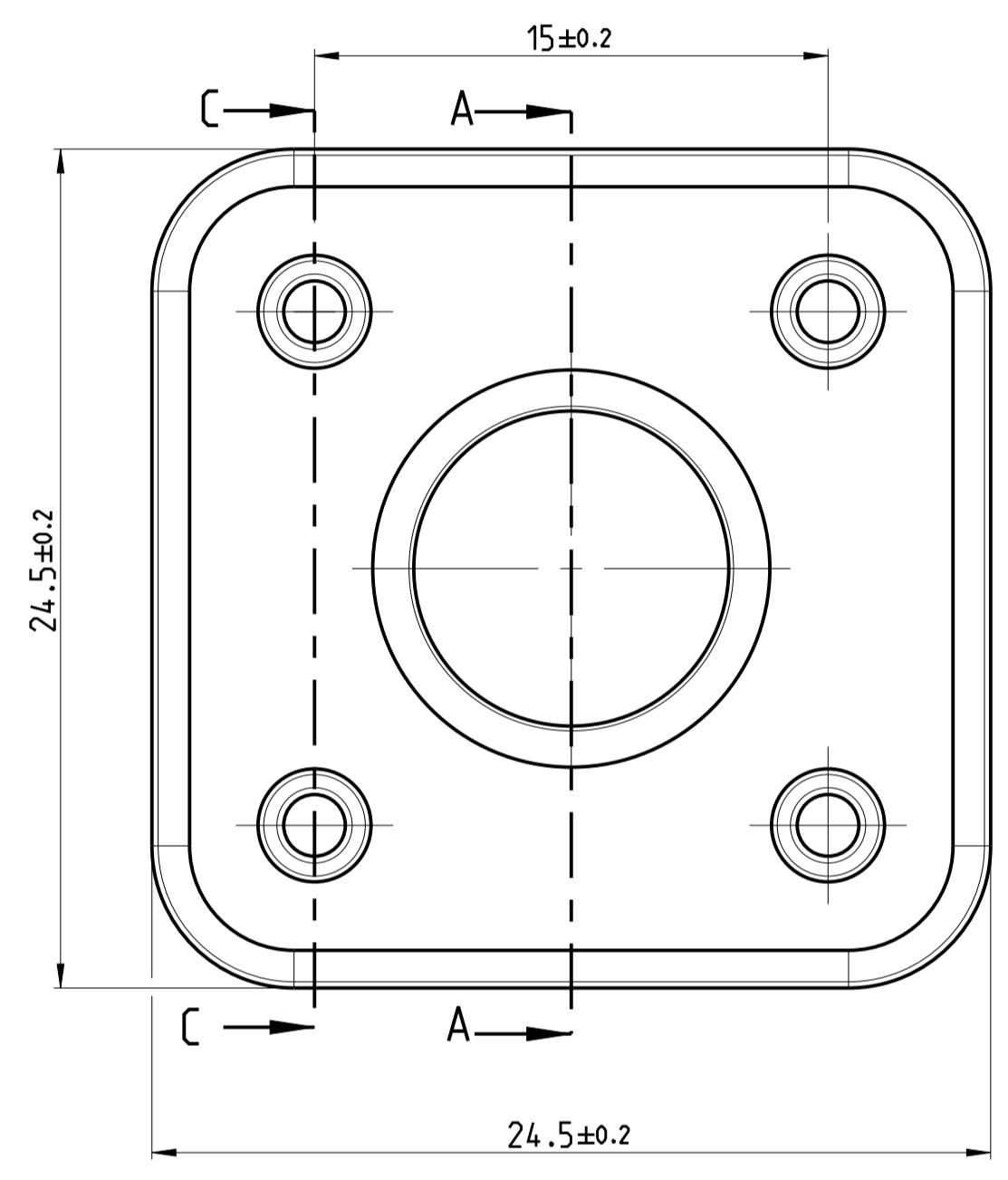
RESTRICTED TO: CUSTOMER DRAWING

SCALE: 5:1 SHEET 1 OF 2 REV: 2

LOC	DIST	REV	DATE	DWN	APVD
A1	-	-	-	-	-
PRODUCT NO.:		SEE SHEET 1			



2:1



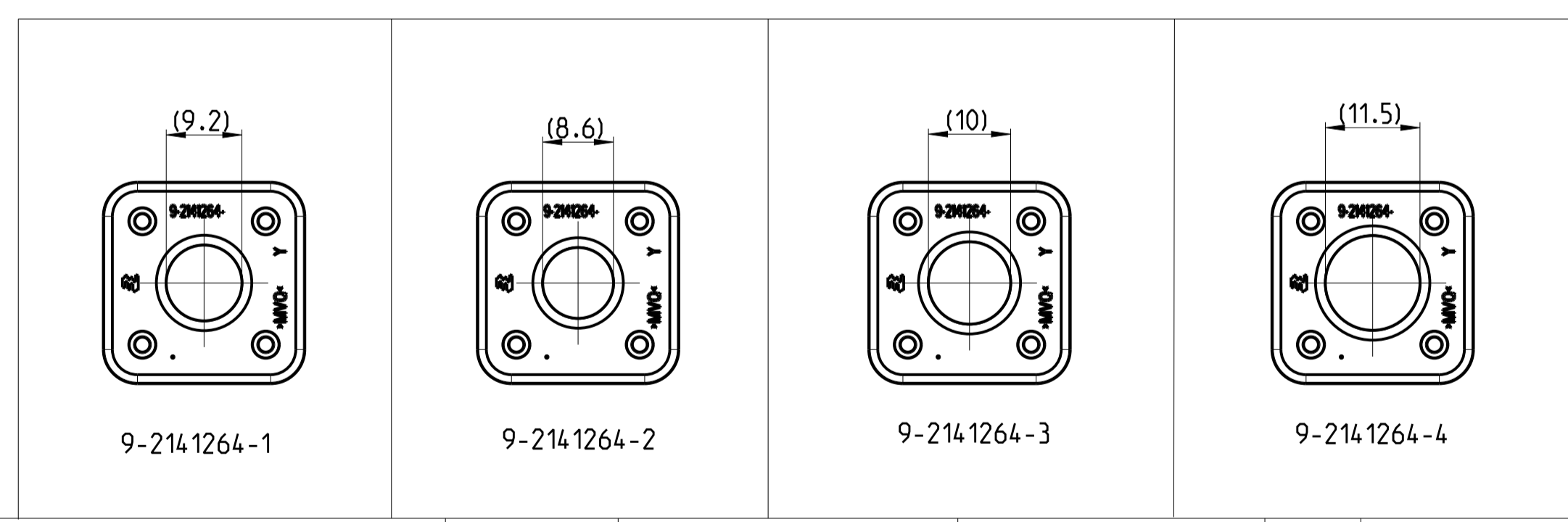
NOTES:

Bemerkungen:

- ONLY THE GERMAN LANGUAGE IS AUTHORITATIVE
Maßgebend ist der deutsche Text
- PACKAGING: BULK PACKAGING IN AIRTIGHT PE-PACKET
Verpackung: Schüttgut in PE-Beutel luftdicht verpackt

3 SUPPLIER-MARK
Lieferanten Kennzeichnung

NOTE Bem.	FEATURE Merkmal	TE-PART-NO. Teil-Nr.
4	ENTIRE ASSEMBLY SEE Gesamtzusammenbau siehe	114-94100-1
5	PRODUCT-SPEC. Produkt-Spez.	108-94264
6	APPLICATION SPEC. Verarbeitungsspez.	114-94100



TE ORDER NO.	REV	DESCRIPTION	DIMENSION A	FOR WIRE ISOLATION DIAMETER [mm]	MATERIAL	WEIGHT [g]	COLOUR
9-2141264-4	A	SINGLE WIRE SEAL, AMP MCP6.3/4.8K Kabeldichtung einzeln, AMP MCP6.3/4.8K	11.5	12.2 - 12.8	SILICON	3	YELLOW
9-2141264-3	A		10	10.7 - 11.3			NATURAL
9-2141264-2	A		8.6	9.3 - 9.9			GREEN
9-2141264-1	A		9.2	9.9 - 10.5			WHITE

TE TE Connectivity
 SINGLE WIRE SEAL, AMP MCP6.3/4.8K
 Kabeldichtung einzeln, AMP MCP6.3/4.8K
 DRAWING NO. 00779 / KUNDENZICHNUNG 2141264
 SCALE 5:1 / MASSSTAB 5:1
 SHEET 2 OF 2 / BLATT 2 VON 2
 REV. 2

X-ON Electronics

Largest Supplier of Electrical and Electronic Components

Click to view similar products for [Automotive Connectors](#) category:

Click to view products by [TE Connectivity](#) manufacturer:

Other Similar products are found below :

[003-018-000](#) [60403001](#) [60993906-B](#) [M902-2131](#) [M902-2161](#) [M902-2344](#) [72.330.1035.1](#) [73.353.4028.0](#) [F119300-B](#) [F166900](#) [F258300-B](#)
[F358300-B](#) [F407400](#) [F444110](#) [F487000](#) [F509500B-B](#) [827153-1](#) [8N1515-32-24P](#) [9-1326729-8](#) [925474-1](#) [928905-1](#) [964562-4](#) [968782-1](#)
[GT17SA-8DS-HU](#) [98891-1012](#) [98947-1016](#) [12004147](#) [12004475-L](#) [12010290](#) [12015454](#) [12020219-B](#) [12041318-B](#) [12052225-L](#) [12052466](#)
[12064869](#) [12004327-B](#) [12015308](#) [12015384](#) [12015909](#) [1-21030-1](#) [12041254](#) [12041318](#) [12047946-B](#) [12047957](#) [12047957-L](#) [12059473](#)
[12066261](#) [12110546](#) [12110546-B](#) [12131792](#)