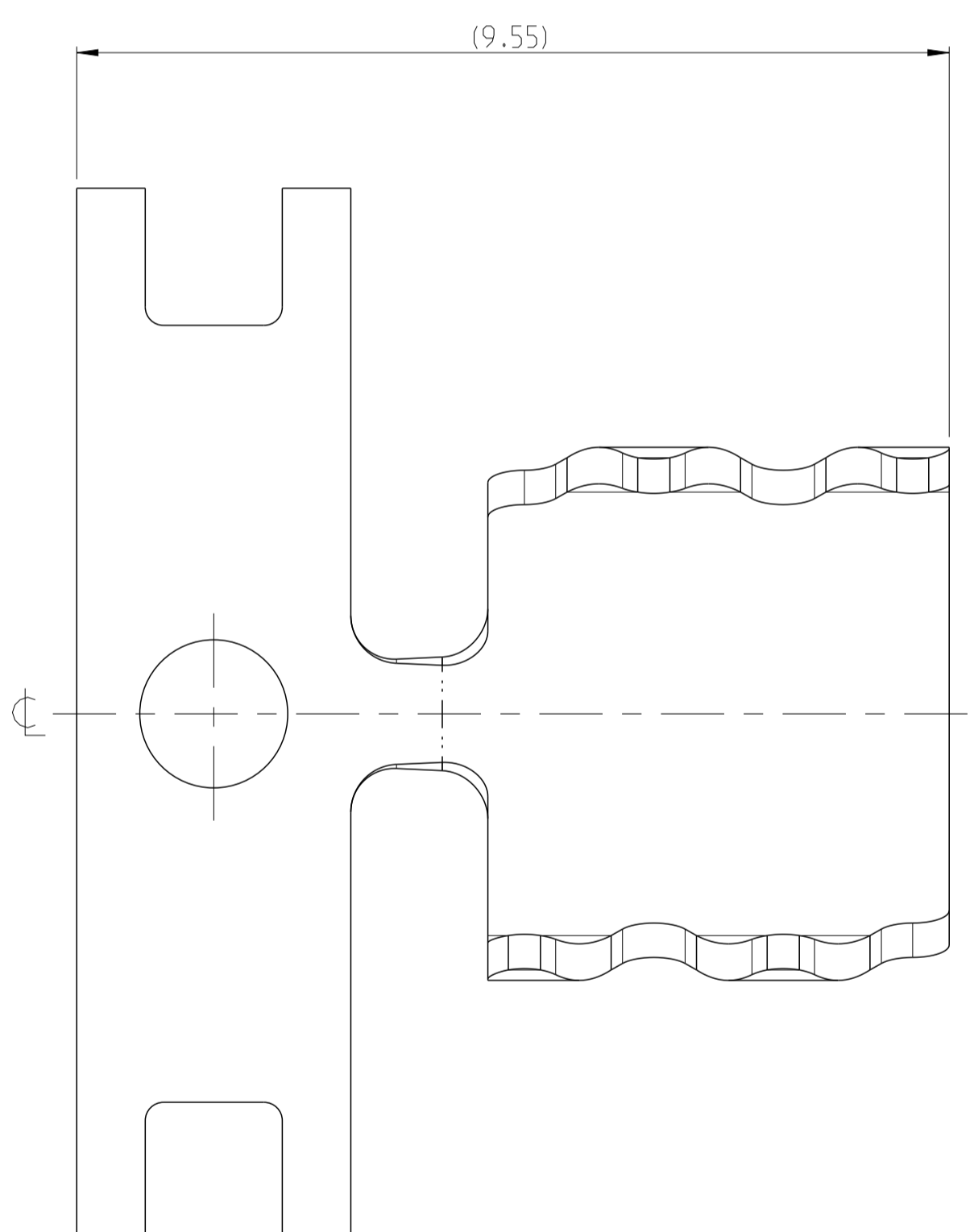
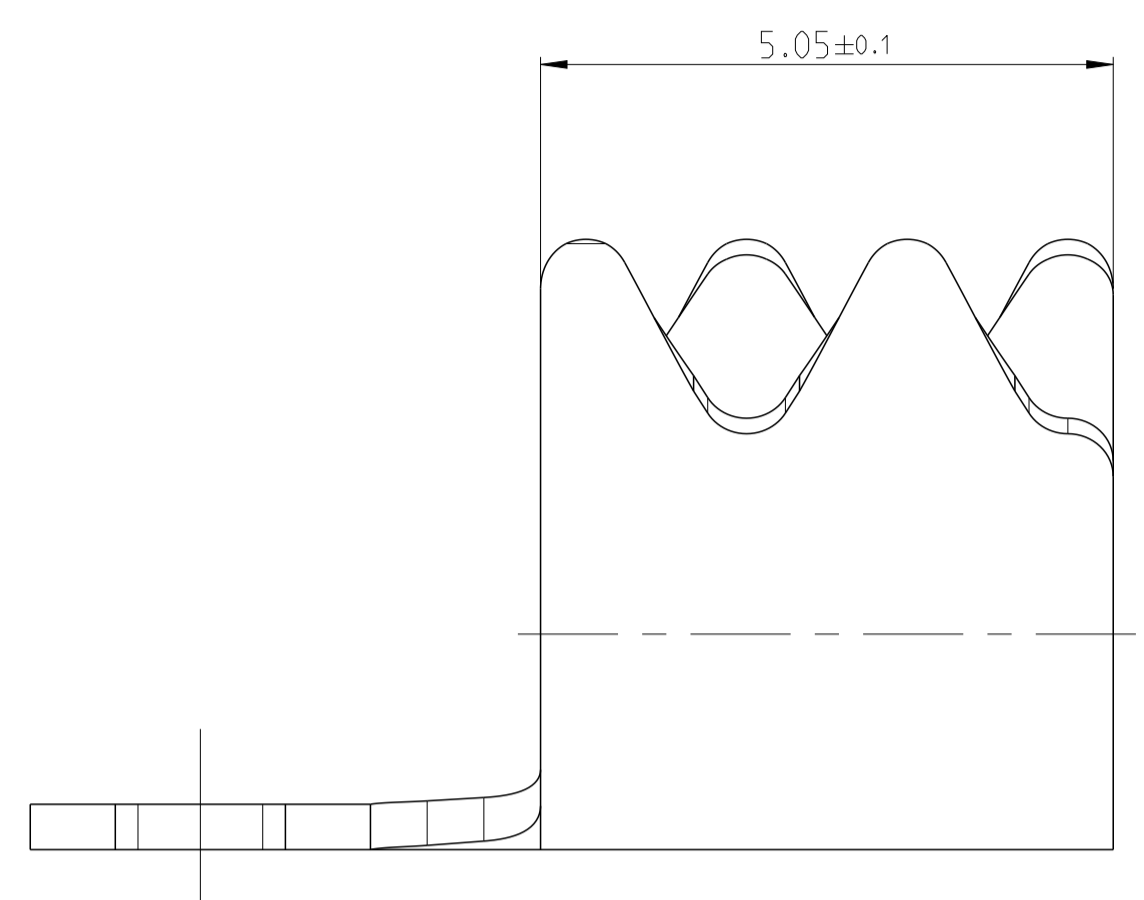
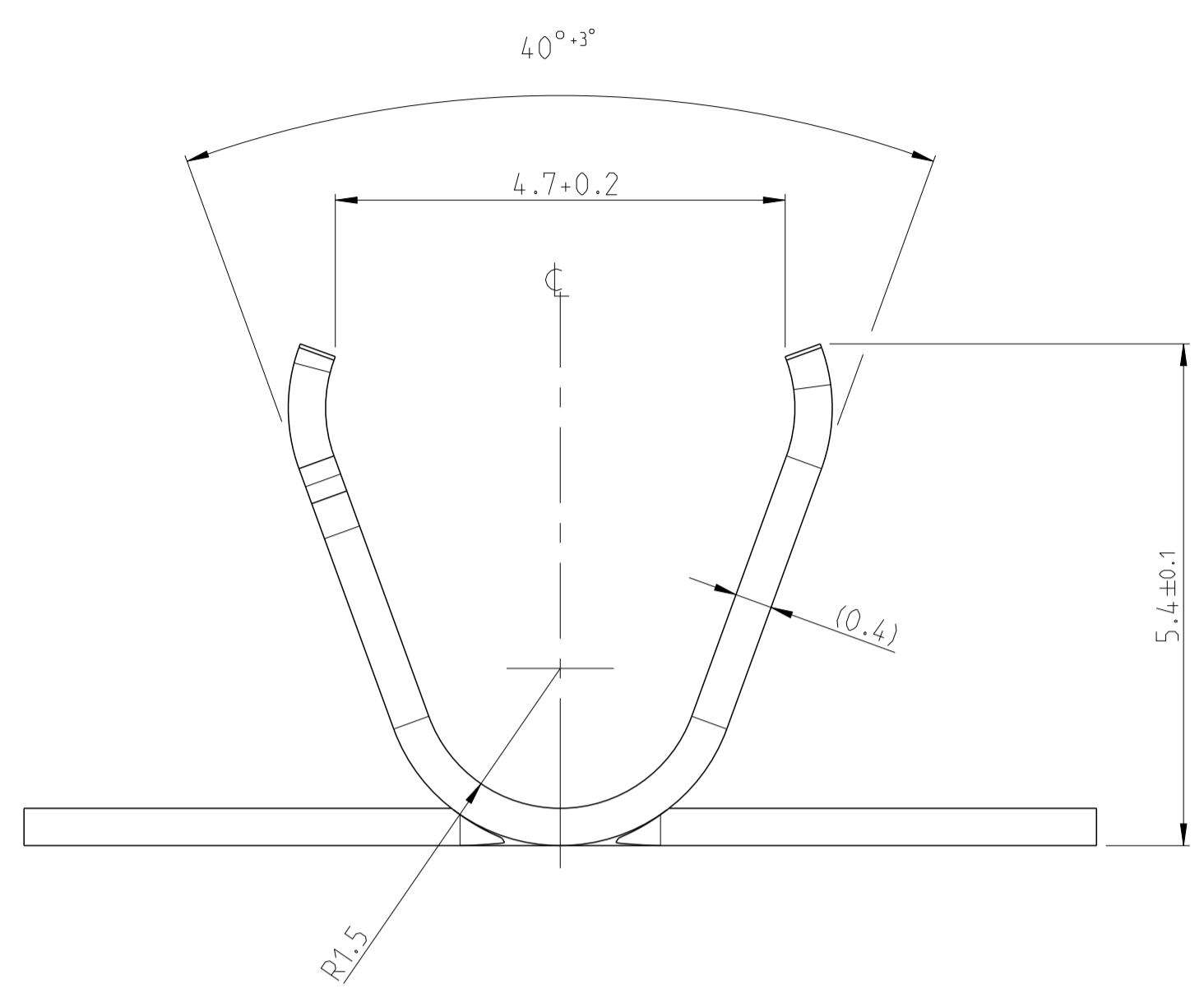
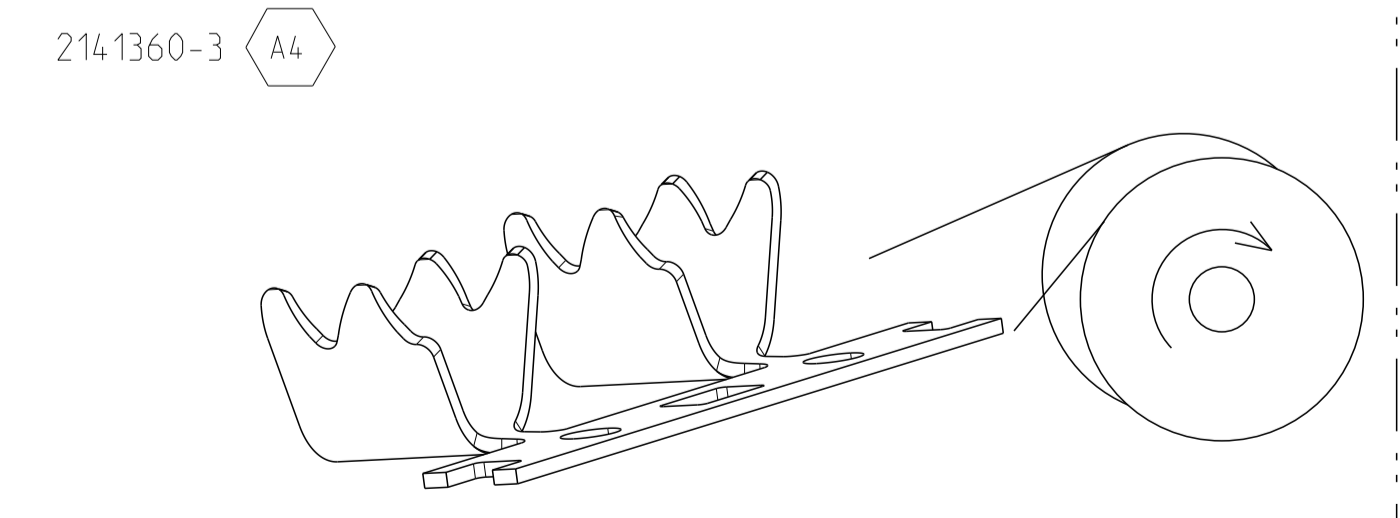
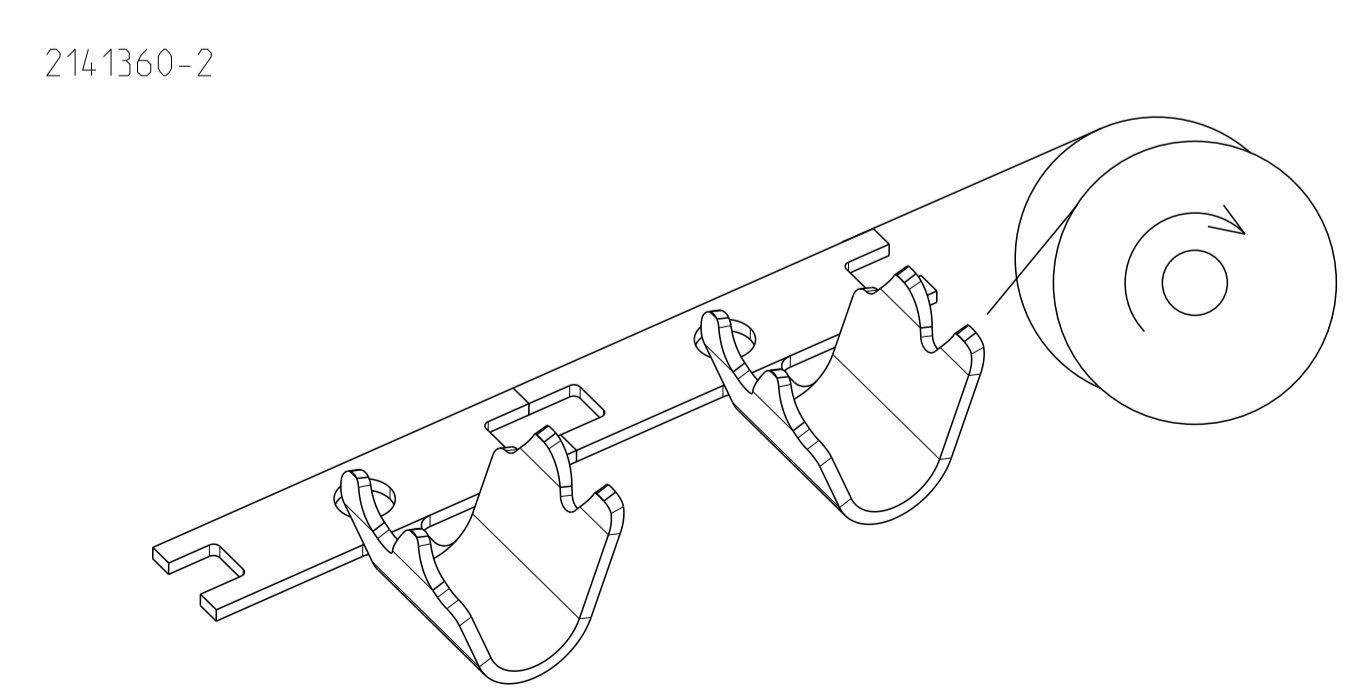
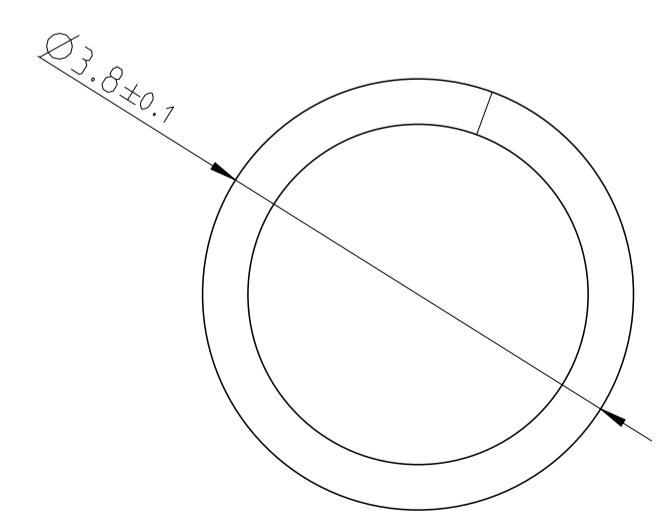
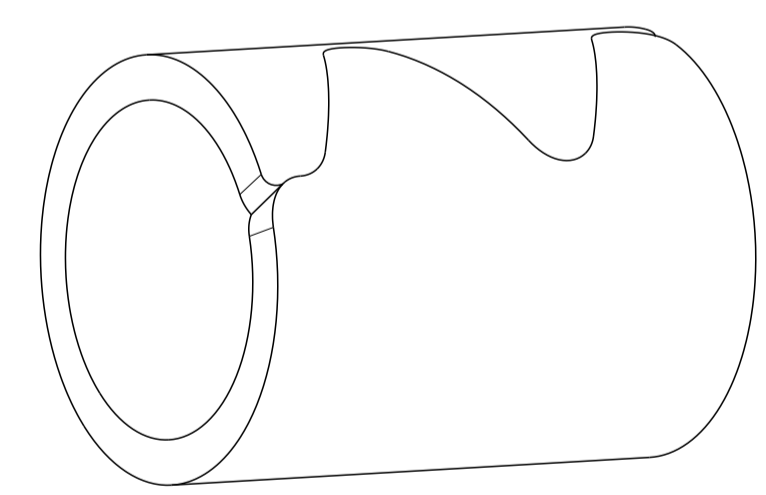


LOC	DIST	REVISIONS			
		REV	DATE	BY	APPV
A1	-	A1	PCN: E-13-016353	22OCT2013	FF OF
		A2	DRAWING OBSOLETE	22JUL2016	SCK JP
		A3	DRAWING IS REACTIVATED	20DEC2016	GH JP
		A4	PN 2141360-3 VARIANT ADDED	30JUL2019	JPN JP



FOR INFORMATION ONLY!
 VIEW OF BENDED PART
 Nur zur Information!
 Ansicht des gebogenen Teils



1 PACKAGING: ON REEL
 Verpackung: Spulenware

USED ON	TE-PN	REV.	MATERIAL	DESCRIPTION	FINISH
-	2141360-3	A	CuSn4	SHIELD, BARREL	PRE-TINNED
-	2141360-2	A	CuSn4	SHIELD, BARREL	PRE-TINNED

THIS DRAWING IS A CONTROLLED DOCUMENT. **TE Connectivity**

DIMENSIONS: mm 	TOLERANCES UNLESS OTHERWISE SPECIFIED: 0 PLC ±0.1 1 PLC ±0.1 2 PLC ±0.1 3 PLC ± 4 PLC ± ANGLES ±° FINISH -	OWN: L. Nguyen 29AUG2012 CHK: D. Fuchs 30AUG2012 APVD: U. Gaseauer PRODUCT SPEC - APPLICATION SPEC - MATERIAL - FINISH -	NAME: SHIELD, SHELL, BARREL Schirmhülse SIZE: A1 CAGE CODE: 00779 DRAWING NO: ©=2141360 RESTRICTED TO: - CUSTOMER DRAWING
-----------------------	---	--	---

SCALE: 5:1 SHEET: 1 OF 1 REV: A4

X-ON Electronics

Largest Supplier of Electrical and Electronic Components

Click to view similar products for [Crimpers / Crimping Tools](#) category:

Click to view products by [TE Connectivity](#) manufacturer:

Other Similar products are found below :

[010-0096](#) [CT150-2-D02](#) [CT150-6-RH07](#) [622-6441LF](#) [63484-3701](#) [63800-8355](#) [63819-1875](#) [63819-2875](#) [63819-4475](#) [63827-5375](#) [64005-0175](#) [662903-2](#) [690602-6](#) [7-23471-1](#) [734611-1](#) [762637-1](#) [811242-5](#) [91362-1](#) [1-21002-3](#) [1-21002-7](#) [12118040](#) [12085270](#) [12387119-6](#) [1-22548-4](#) [125442-1](#) [DCE.91.073.BVC](#) [DCE.91.090.3MVM](#) [DCE.91.162.BVCM](#) [DCE.91.202.BVCM](#) [1310G2](#) [1333249-1](#) [1-354003-0](#) [1338301-1](#) [DF62/RE-MD](#) [142321](#) [AP105-DF11-2428S\(64\)](#) [1456088-1](#) [1-45804-6](#) [15397700](#) [AX100749](#) [1-59619-7](#) [1596970-1](#) [1-59619-8](#) [1901238-2](#) [2119581-1](#) [K761](#) [KTH-1079](#) [KTH-2022](#) [KTH-2260](#) [904139-1](#)