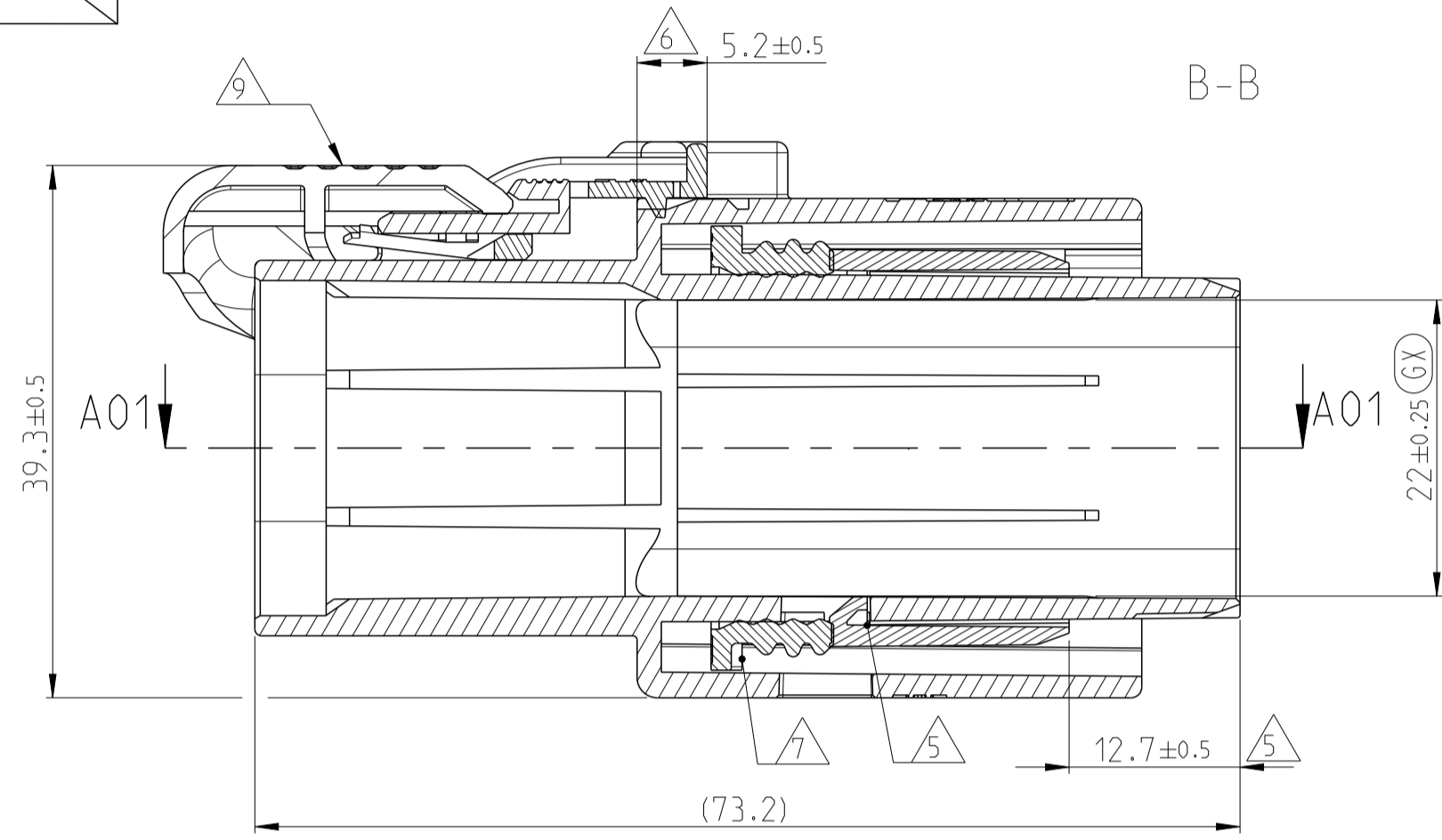
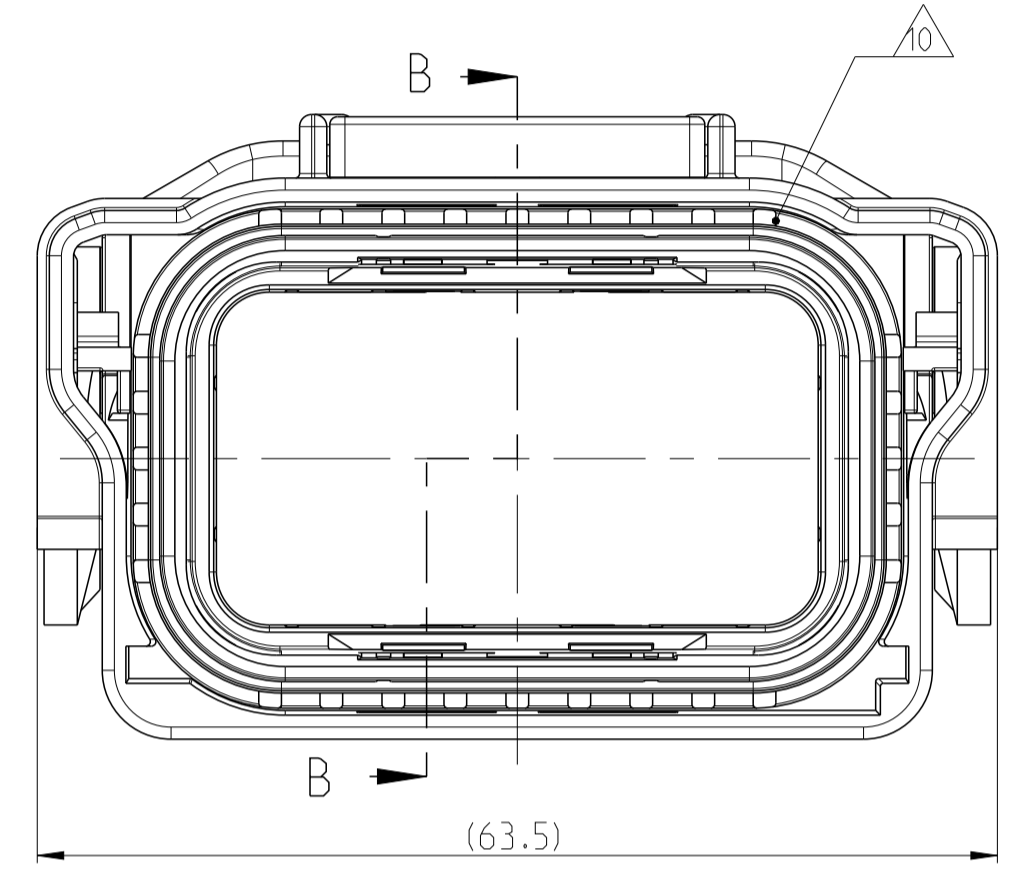


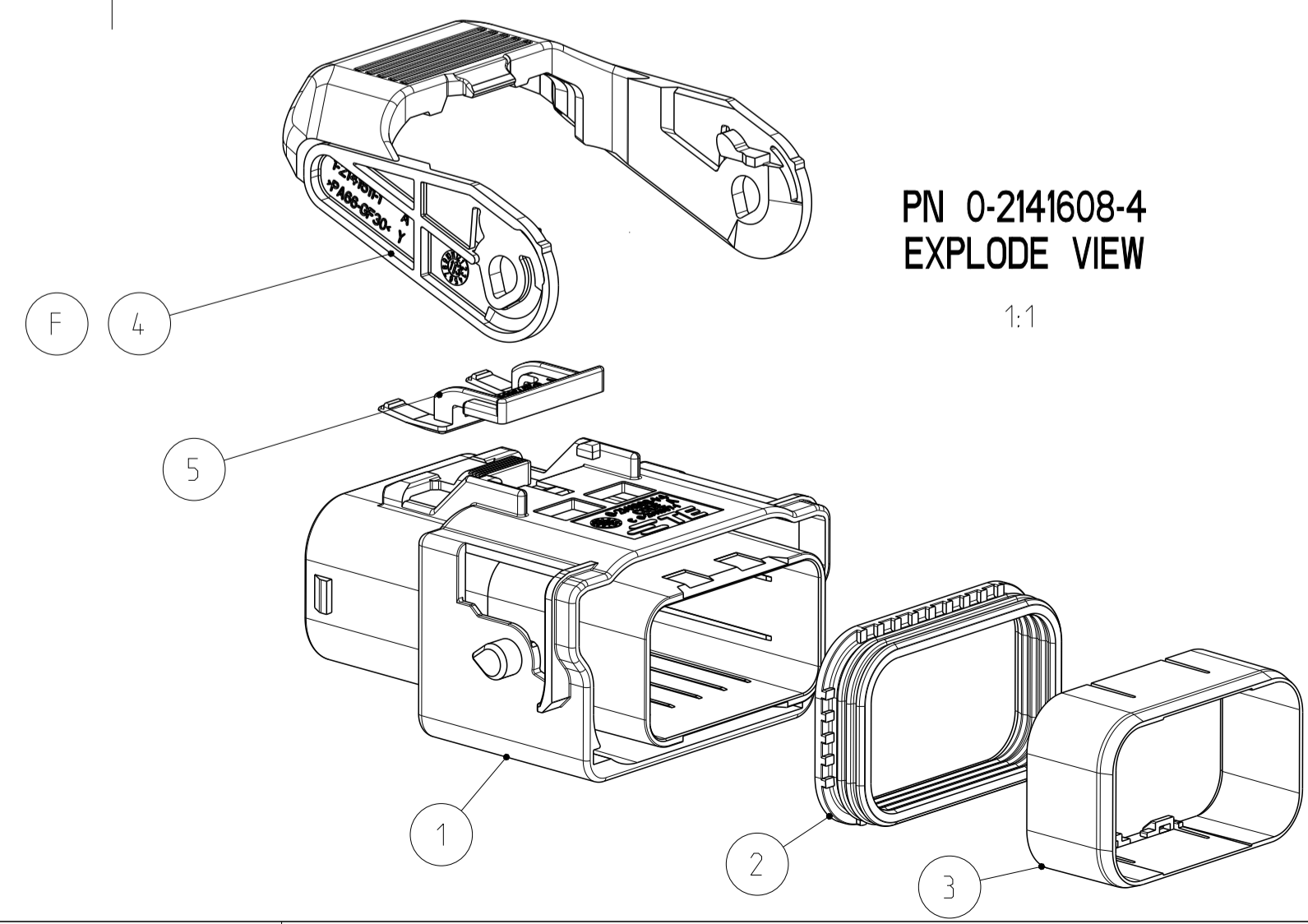
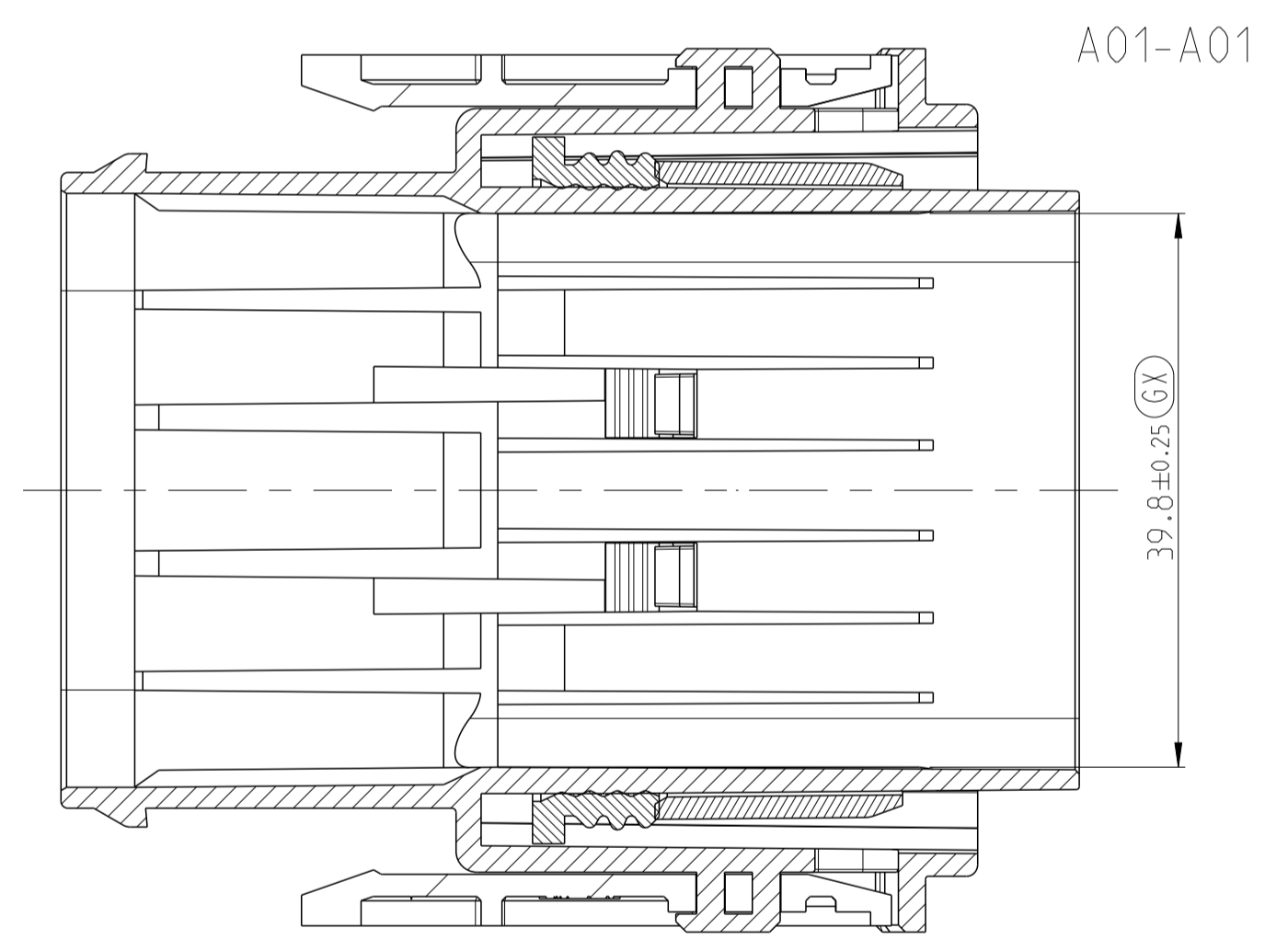
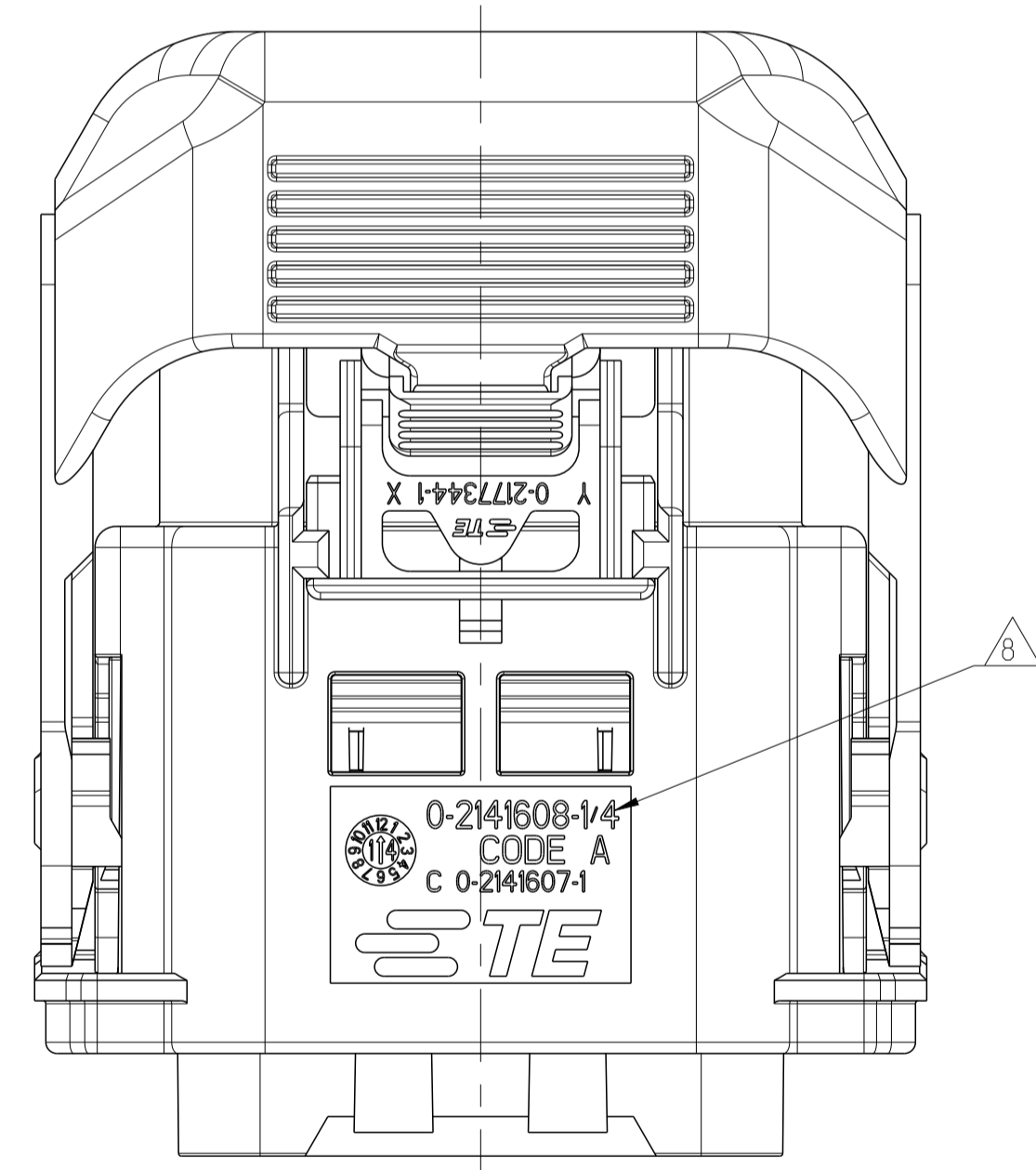
REV	LTN	DESCRIPTION	DATE	DWN	APVD
C		SEE BALLOON C	24SEP2014	MKP	FWI
D		SEE BALLOON D	03MAR2015	AHM	FWI
E		SEE BALLOON E	26NOV2015	RSC	FWI
F		SEE BALLOON F	14NOV2016	RSC	KKI

- NOTES
Bemerkungen
- IN CASE OF DISCREPANCIES BETWEEN GERMAN AND ENGLISH TEXT THE GERMAN TEXT IS BINDING
IM FALLE VON UNTERSCHIEDEN ZWISCHEN DEM DEUTSCHEN UND DEM ENGLISCHEN TEXT IST DER DEUTSCHE TEXT VERBINDLICH
 - LAYER PACKING WITH CORRUGATED CARDBOARD INTO CARTON ACCORDING SPEC 107-18032
Lagenweise Verpackung mit Wellpappeinlagen in Karton gemass Spec. 107-18032
 - DELIVERY CONDITION AS SHOWN. SECONDARY LOCK IN PRELOCK POSITION
PULL-OFF FORCE min.20N
Lieferzustand wie dargestellt. Kontaktgehäusesicherung in Vorraststellung
Rueckhaltekraft min. 20N
 - DELIVERY CONDITION AS SHOWN. CPA IN ENDOCK POSITION
Lieferzustand wie dargestellt. Positionssicherung in Endraststellung
 - DELIVERY CONDITION AS SHOWN. SEALING IN CORRECT ORIENTATION
Lieferzustand wie dargestellt. Dichtung in korrekter Orientierung
 - TE PART NUMBER ASSEMBLY
TE-Teilenummer Baugruppe
 - LEVER IN CORRECT COLOR ACCORDING TO CODING OF CONNECTOR
Hebelfarbe entsprechend der Steckerkodierung
 - MAX. ROTATION OF SEAL AROUND CENTERLINE ±2mm
Max. Verdrehung der Dichtung um Steckerachse ±2mm

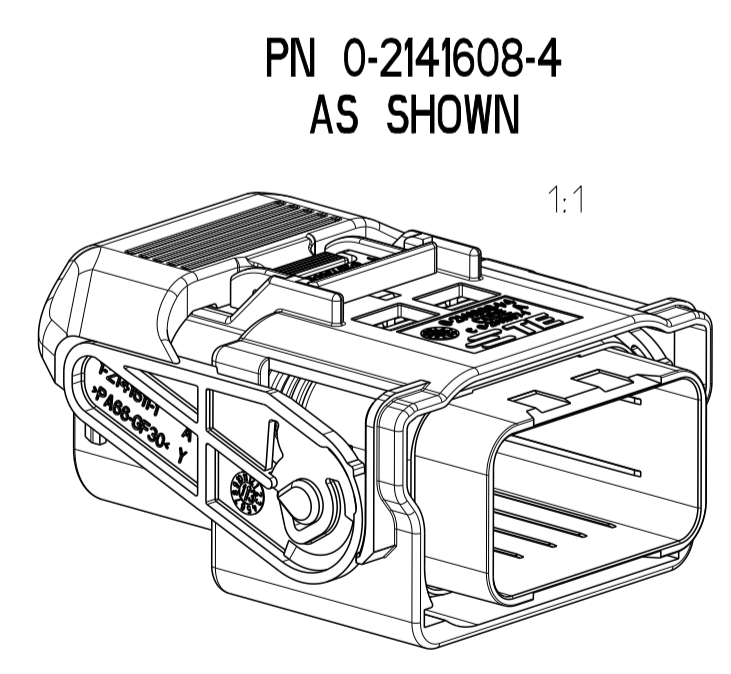
NOTE Bem.	FEATURE Merkmal	TE - No.
11	MATING PIN HEADER BY TE CONNECTIVITY Passende Stiftwanne von TE Connectivity	2141619 / 2236454
12	PRODUCT-SPEC. Produkt-Spez.	108-94235
13	APPLICATION-SPEC. Verarbeitungs-Spez.	114-94114



CODE	DESCRIPTION - ASSY	WEIGHT (g)	TE ORDER-NO.	REV	QTY	DESCRIPTION - PART	MATERIAL	MAX. REGRIND ALLOWED	COLOUR	ITEM
Z	5POS. RECEPTACLE HSG. ASSY. WITH CPA	54.98	0-2141608-6	F	1	CPA	PA6-(GF+GB)30		RED	5
					1	LEVER, 5POS schwarz / BLACK	PA66-GF30		WATER BLUE	4
					1	SECONDARY LOCK HV CONNECTOR 5 POS	PA6-(GF+GB)30		BLACK	3
					1	RADIAL SEAL HV CONNECTOR 5 POS	SILTEGN RUBBER		NATURAL	2
					1	OUTER HOUSING HV CONNECTOR 5 POS CODE Z	PA66-GF30		ORANGE	1
B	5POS. RECEPTACLE HSG. ASSY. WITH CPA	54.98	0-2141608-5	F	1	CPA	PA6-(GF+GB)30		RED	5
					1	LEVER, 5POS schwarz / BLACK	PA66-GF30		WHITE	4
					1	SECONDARY LOCK HV CONNECTOR 5 POS	PA6-(GF+GB)30		BLACK	3
					1	RADIAL SEAL HV CONNECTOR 5 POS	SILTEGN RUBBER		NATURAL	2
					1	OUTER HOUSING HV CONNECTOR 5 POS CODE B	PA66-GF30		ORANGE	1
A	5POS. RECEPTACLE HSG. ASSY. WITH CPA	54.98	0-2141608-4	F	1	CPA	PA6-(GF+GB)30	25%	RED	5
					1	LEVER, 5POS schwarz / BLACK	PA66-GF30		BLACK	4
					1	SECONDARY LOCK HV CONNECTOR 5 POS	PA6-(GF+GB)30	25%	BLACK	3
					1	RADIAL SEAL HV CONNECTOR 5 POS	SILICON RUBBER	0%	NATURAL	2
					1	OUTER HOUSING HV CONNECTOR 5 POS CODE A	PA66-GF30	20%	ORANGE	1
Z	5POS. RECEPTACLE HSG. ASSY. WITHOUT CPA	54	0-2141608-3	E	1	LEVER, 5POS schwarz / BLACK	PA66-GF30		WATER BLUE	4
					1	SECONDARY LOCK HV CONNECTOR 5 POS	PA6-(GF+GB)30		BLACK	3
					1	RADIAL SEAL HV CONNECTOR 5 POS	SILICON RUBBER		NATURAL	2
					1	OUTER HOUSING HV CONNECTOR 5 POS CODE Z	PA66-GF30		ORANGE	1
					1	LEVER, 5POS schwarz / BLACK	PA66-GF30		WHITE	4
B	5POS. RECEPTACLE HSG. ASSY. WITHOUT CPA	54	0-2141608-2	E	1	SECONDARY LOCK HV CONNECTOR 5 POS	PA6-(GF+GB)30		BLACK	3
					1	RADIAL SEAL HV CONNECTOR 5 POS	SILICON RUBBER		NATURAL	2
					1	OUTER HOUSING HV CONNECTOR 5 POS CODE B	PA66-GF30		ORANGE	1
					1	LEVER, 5POS schwarz / BLACK	PA66-GF30	20%	BLACK	4
					1	SECONDARY LOCK HV CONNECTOR 5 POS	PA6-(GF+GB)30	25%	BLACK	3
A	5POS. RECEPTACLE HSG. ASSY. WITHOUT CPA	54	0-2141608-1	E	1	RADIAL SEAL HV CONNECTOR 5 POS	SILICON RUBBER	0%	NATURAL	2
					1	OUTER HOUSING HV CONNECTOR 5 POS CODE A	PA66-GF30	20%	ORANGE	1
					1	LEVER, 5POS schwarz / BLACK	PA66-GF30	20%	BLACK	4
					1	SECONDARY LOCK HV CONNECTOR 5 POS	PA6-(GF+GB)30	25%	BLACK	3
					1	RADIAL SEAL HV CONNECTOR 5 POS	SILICON RUBBER	0%	NATURAL	2



PN 0-2141608-4
EXPLODE VIEW
1:1



DIESE ZEICHNUNG IST EIN KONTROLLIERTES DOKUMENT. BEMESSUNGEN UND TOLERANZEN GEMAESS GPS (ISO STANDARDS).

THIS DRAWING IS A CONTROLLED DOCUMENT. DIMENSIONING AND TOLERANCING PER GPS (ISO STANDARDS).

DWN: Sundarshan M D
CHK: F. Wittrock
APVD: A. Kettler
DATE: 26SEP2013

TE Connectivity

NAME: OUTER HOUSING, HV CONNECTOR, 5 POS
Aussendehäuse, HV Stecker, 5 polig
AMP MCP6.3/4.8K

SIZE: A1
SCALE: 2:1
SHEET: 1 OF 1
REV: F

X-ON Electronics

Largest Supplier of Electrical and Electronic Components

Click to view similar products for [Automotive Connectors](#) category:

Click to view products by [TE Connectivity](#) manufacturer:

Other Similar products are found below :

[003-018-000](#) [60403001](#) [60993906-B](#) [M902-2131](#) [M902-2161](#) [72.330.1035.1](#) [73.353.4028.0](#) [F119300-B](#) [F166900](#) [F258300-B](#) [F358300-B](#)
[F407400](#) [F444110](#) [F487000](#) [F509500B-B](#) [827153-1](#) [8N1515-32-24P](#) [9-1326729-8](#) [925474-1](#) [928905-1](#) [964562-4](#) [968782-1](#) [GT17SA-8DS-](#)
[HU](#) [98891-1012](#) [98947-1016](#) [12004147](#) [12004475-L](#) [12010290](#) [12010309-B](#) [12015454](#) [12020219-B](#) [12020308](#) [12041318-B](#) [12052225-L](#)
[12052466](#) [12059125](#) [12064869](#) [12004327-B](#) [12010503-B](#) [12015308](#) [12015384](#) [12015909](#) [1-21030-1](#) [12041254](#) [12041318](#) [12047946-B](#)
[12047957](#) [12047957-L](#) [12059473](#) [12066261](#)