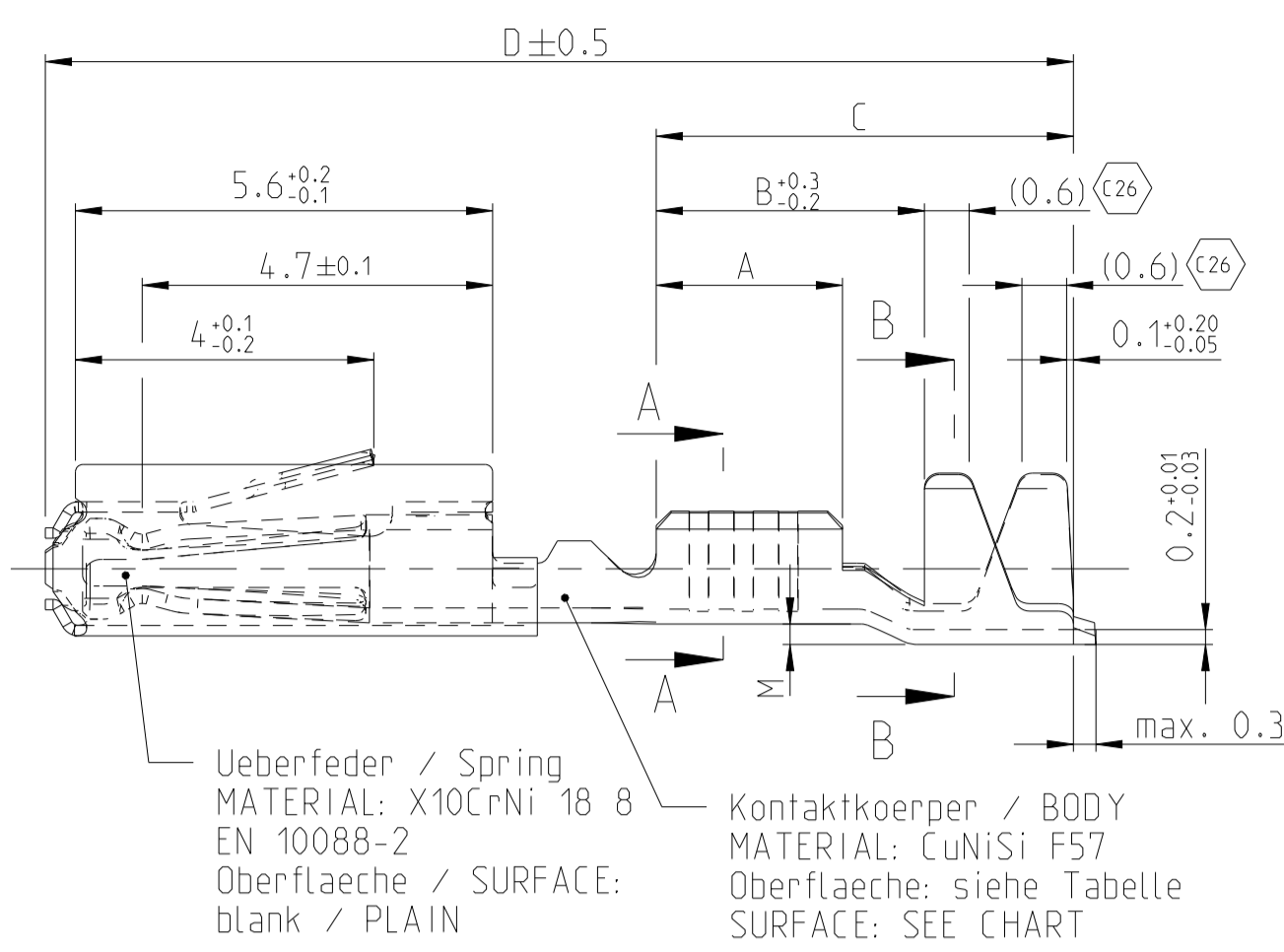
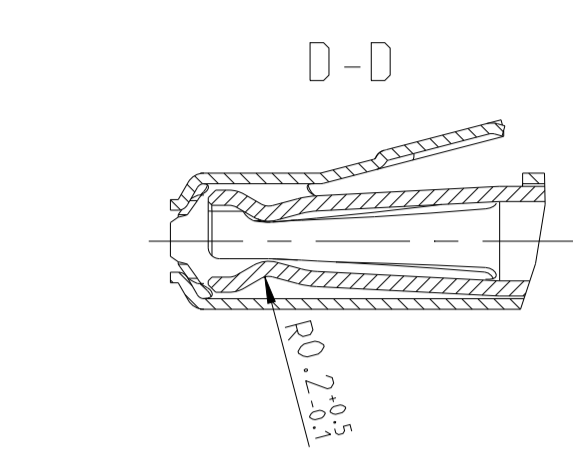
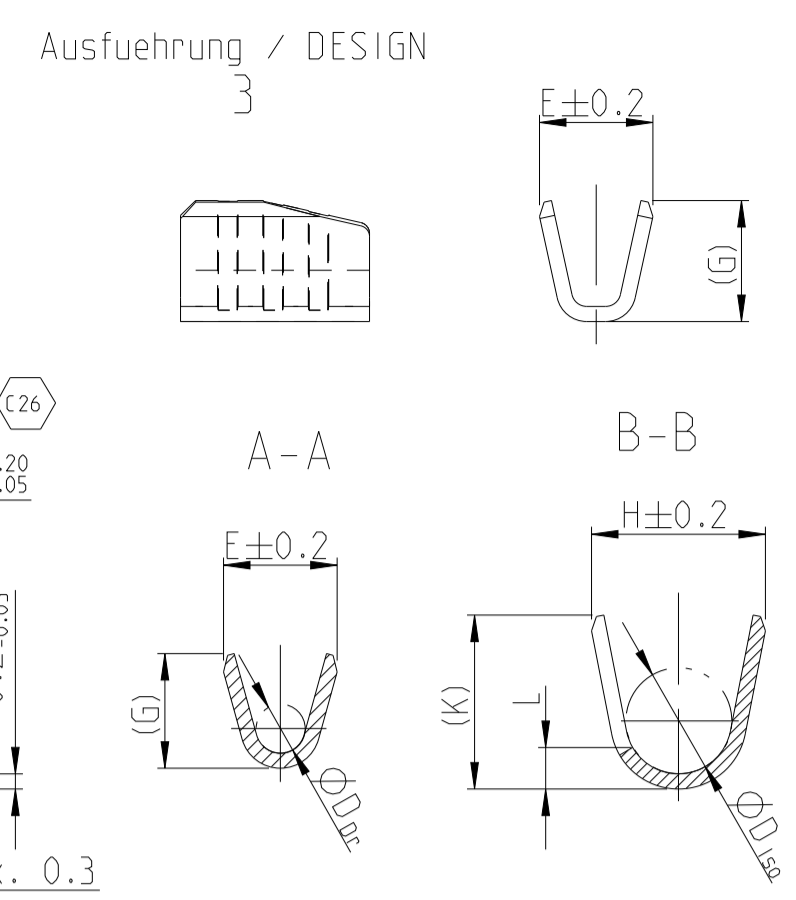


Normale Anwendung  
 USUAL APPLICATION

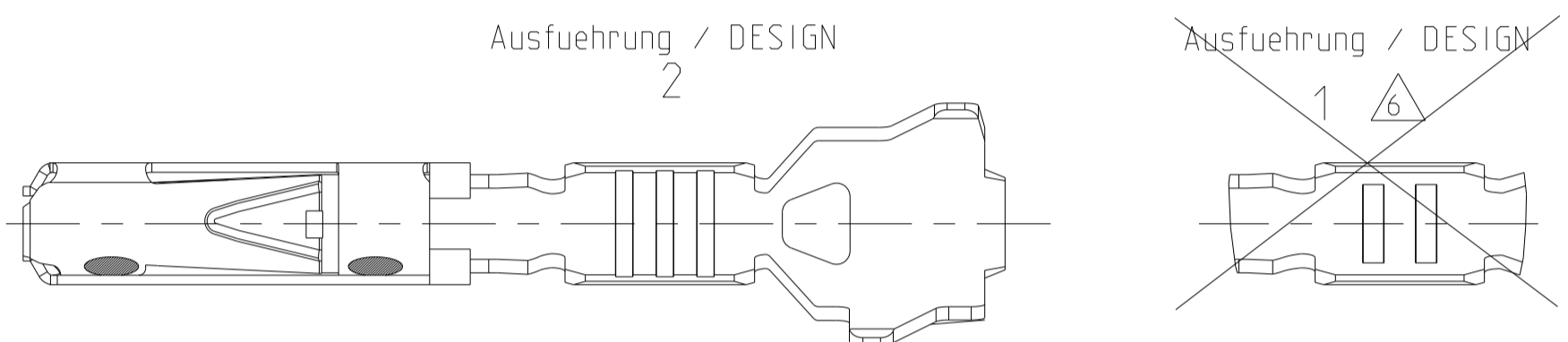
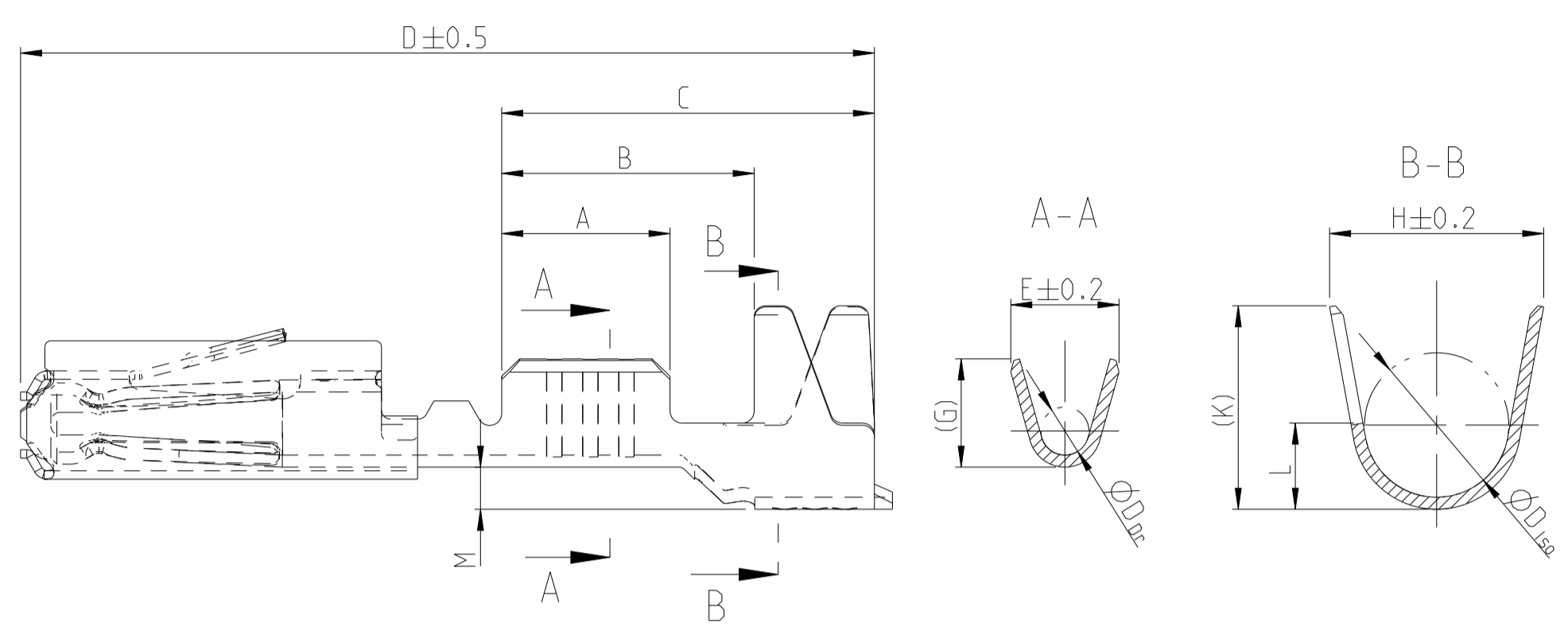


Ueberfeder / Spring  
 MATERIAL: X10CrNi 18 8  
 EN 10088-2  
 Oberflaeche / SURFACE:  
 blank / PLAIN

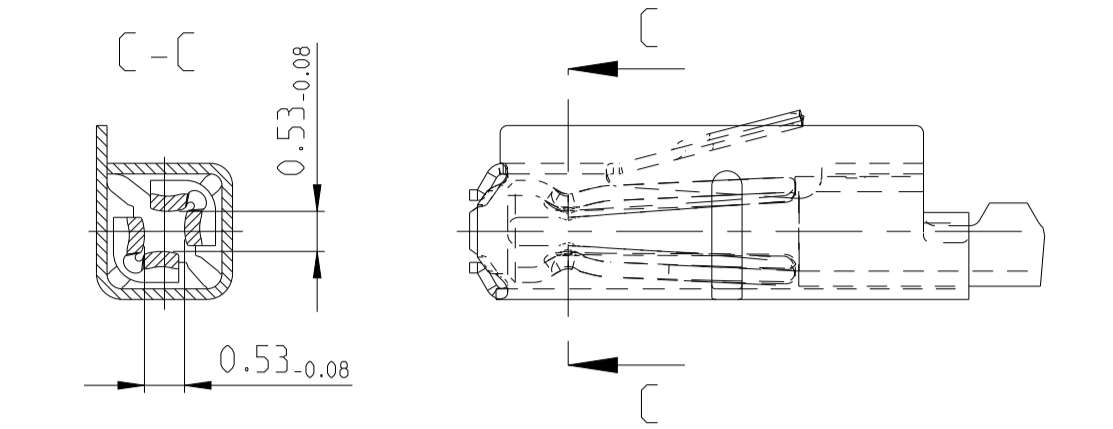
Kontaktkoerper / BODY  
 MATERIAL: CuNiSi F57  
 Oberflaeche: siehe Tabelle  
 SURFACE: SEE CHART



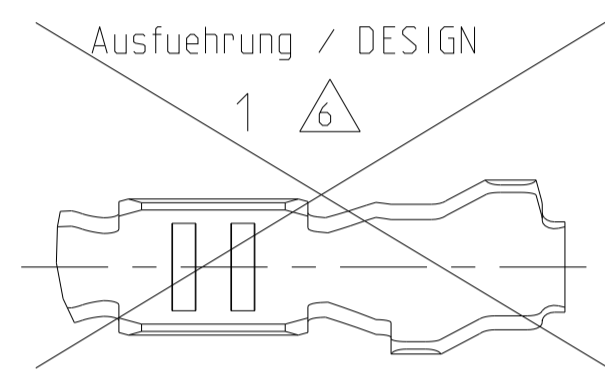
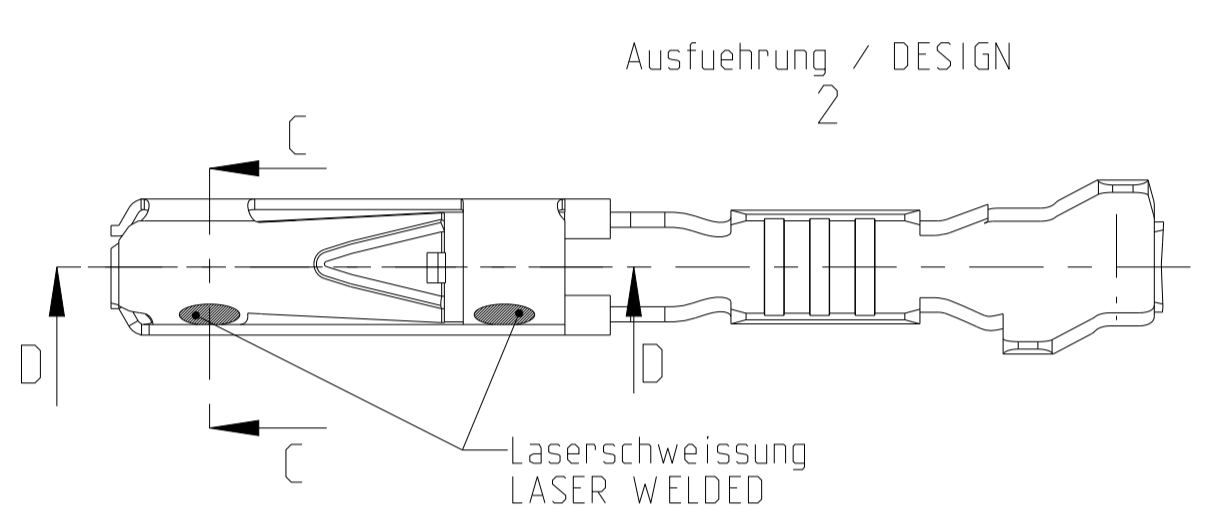
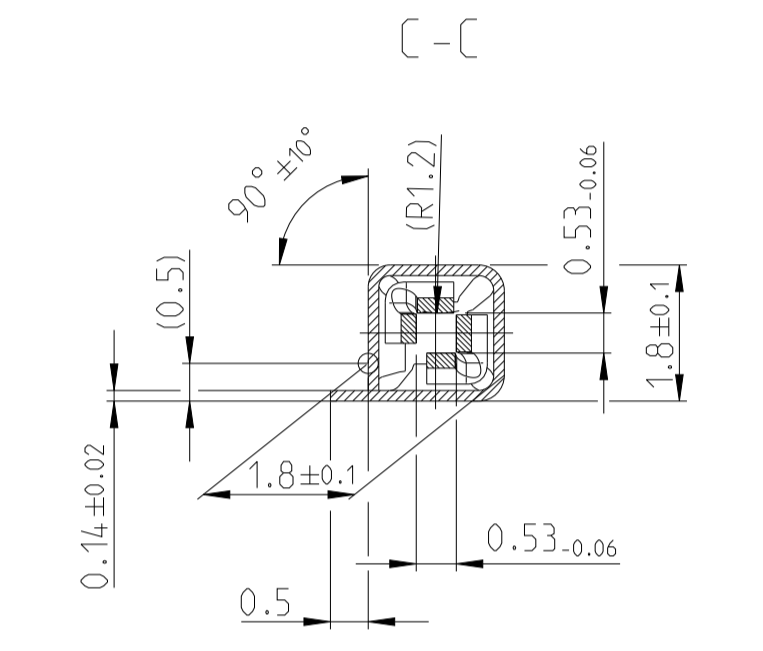
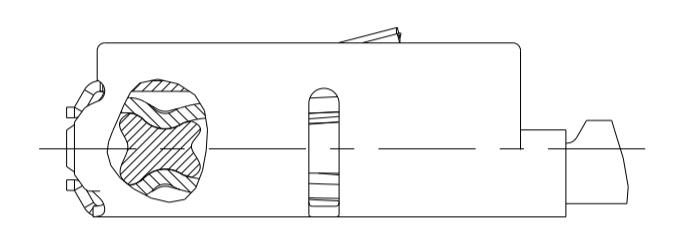
Ausfuehrung / DESIGN 3  
 Einzeldichtungssystem  
 SINGLE WIRE SEAL SYSTEM



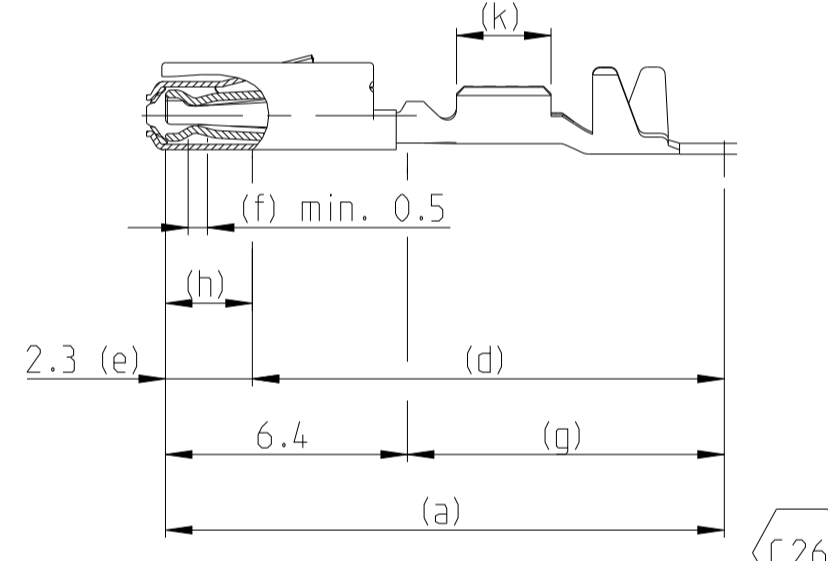
versilberte/vergoldete Ausfuehrung  
 SILVER/GOLD VERSION



GEL VERSION



Oberflaeche / FINISH



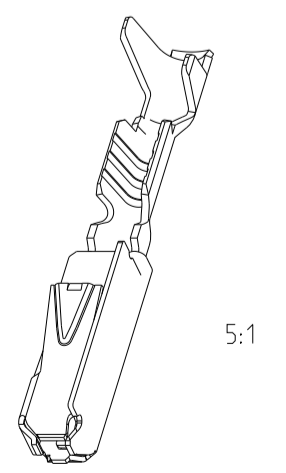
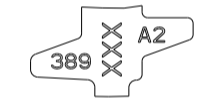
Sn: verzinnete Ausfuehrung  
 TINNED  
 (a) Kontaktkoerper: 0.8 - 2 µm Sn  
 BODY: 0.8 - 2 µm Sn

Ag: versilbert  
 SILVER  
 (e) min. 0.3 µm Ag  
 (f) min. 2.8 µm Ag INSIDE  
 min. 2.8 µm Ag innen  
 (g) min. 0.2 µm Sn  
 (k) min. 0.8 - 2 µm Sn

Au (galvanisch): galvanisch vergoldet  
 GOLD-ELECTROPLATED  
 (d) 0.05-1 µm Ni, beidseitig  
 0.05-1 µm Ni, ON BOTH SIDES  
 (e) 1-3 µm Ni, beidseitig  
 1-3 µm Ni, ON BOTH SIDES  
 (f) min. 1.8 µm Au ueber (e), innen  
 MIN. 1.8 µm Au OVER (e), INSIDE  
 (g) min. 0.2 µm Sn ueber (d), beidseitig  
 MIN. 0.2 µm Sn OVER (d), ON BOTH SIDES  
 (h) Au galvanisch auslaufend  
 Au OVERPLATING  
 (k) min. 0.8 - 2.0 µm Sn

Bemerkungen

- Datumscode (Woche/Jahr z.B. KW 38/Jahr2009) und TE-Revision (z.B. Rev.A) DATE CODE (WEEK/YEAR E.G. WEEK NUMBER 38/YEAR2009) AND TE REVISION (E.G. REV. A)
- Passend zu Stiftkontakt siehe Zeichnung 929453 SUITABLE FOR PIN CONTACT SEE DRAWING 929453
- Einzelheiten der Ausfuehrung bleiben dem Hersteller ueberlassen DETAILS OF DESIGN ARE LEFT TO MANUFACTURER
- Nur fuer FLR-Leitung nach DIN 72551 Teil 6 FOR FLR-CONDUCTOR ACCORDING TO DIN 72551-6 ONLY
- 
- nicht fuer Neuanwendung NOT FOR NEW APPLICATION
- zugverstaerkte Leitung nach LV 112-4 REINFORCED WIRE ACCORDING LV 112-4
- Bei doppelt fallenden Werkzeugen wird die erste Ueberfeder mit einer Kennzeichnung "-" versehen WITH DOUBLE OUT DIES THE FIRST SPRING WILL BE PROVIDED WITH AN INDICATION "-"
- Varianten von Design1 werden durch die entsprechenden Versionen von Design2 ersetzt VARIANTS OF DESIGN1 ARE SUPERSEDED BY CORRESPONDING VERSIONS OF DESIGN2



Part No.	Material	Finish	Dimensions	Surface	Length	Wire Crimp	Insulation	Weight	Notes
6-965906-5	Au-Gel	Ag	A = 2.8, B = 4.2, C = 6.2, D = 14.3, M = 0.7	E = 2, G = 2.1, Dr = 1	H = 3.5, K = 3.4, L = 1.5, D150 = 2.4	0.13	114-18025	0.75	1.4-1.9
5-965906-6	Ag	Au	A = 2.5, B = 3.9, C = 5.9, D = 14, M = 0.7	E = 1.8, G = 1.8, Dr = 0.8	H = 3.5, K = 3.4, L = 1.5, D150 = 2.4	0.13	114-18025	0.35	0.9-1.4
5-965906-5	Au	Sn	A = 2.5, B = 4.3, C = 6.2, D = 14.2, M = 0.6 (C26)	E = 1.5, G = 1.4	H = 4, K = 3.9, N = 3.1, D150 = 2.6	0.1	114-18021	0.13	0.85-1.25
5-965906-1	Sn	Ag	A = 2.5, B = 4.3, C = 6.2, D = 14.2, M = 0.6 (C26)	E = 1.5, G = 1.4	H = 4, K = 3.9, N = 3.1, D150 = 2.6	0.1	114-18021	0.17	0.85-1.25
5-962885-6	Ag	Au	A = 2.5, B = 3.6, C = 5.6, D = 13.7, M = 0.2	E = 2, G = 2.1, Dr = 1	H = 2.7, K = 2.9, L = 0.7, D150 = 1.6	0.11	114-18021	0.50-0.75	
5-962885-5	Au	Sn	A = 2.5, B = 3.6, C = 5.6, D = 13.7, M = 0.2	E = 1.8, G = 1.8, Dr = 0.8	H = 2.3, K = 2.3, L = 0.6, D150 = 1.4	0.11	114-18021	0.25-0.35	
5-962885-1	Sn	Ag	A = 2.5, B = 3.7, C = 5.4, D = 13.7, M = 0	E = 1.5, G = 1.5, Dr = 0.65	H = 2, K = 2, D150 = 1.1	0.1	114-18021	0.13 / 0.17	
2141826-6	Ag	Au	A = 2.5, B = 3.7, C = 5.4, D = 13.7, M = 0	E = 1.5, G = 1.5, Dr = 0.65	H = 2, K = 2, D150 = 1.1	0.1	114-18021	0.08-0.22	
2141826-5	Au	Sn	A = 2.5, B = 3.7, C = 5.4, D = 13.7, M = 0	E = 1.5, G = 1.5, Dr = 0.65	H = 2, K = 2, D150 = 1.1	0.1	114-18021	0.08-0.22	
2141826-1	Sn	Ag	A = 2.5, B = 3.7, C = 5.4, D = 13.7, M = 0	E = 1.5, G = 1.5, Dr = 0.65	H = 2, K = 2, D150 = 1.1	0.1	114-18021	0.08-0.22	
6-963715-5	Au-Gel	Ag	A = 2.8, B = 3.8, C = 5.6, D = 13.7, M = 0.2	E = 2, G = 2.1, Dr = 1	H = 2.7, K = 2.9, L = 0.7, D150 = 1.6	0.11	114-18021	0.50-0.75	
5-963715-6	Ag	Au	A = 2.5, B = 3.6, C = 5.6, D = 13.7, M = 0.2	E = 1.8, G = 1.8, Dr = 0.8	H = 2.3, K = 2.3, L = 0.6, D150 = 1.4	0.11	114-18021	0.25-0.35	
5-963715-5	Au	Sn	A = 2.5, B = 3.7, C = 5.4, D = 13.7, M = 0	E = 1.5, G = 1.5, Dr = 0.65	H = 2, K = 2, D150 = 1.1	0.1	114-18021	0.13 / 0.17	
5-963715-1	Sn	Ag	A = 2.5, B = 3.7, C = 5.4, D = 13.7, M = 0	E = 1.5, G = 1.5, Dr = 0.65	H = 2, K = 2, D150 = 1.1	0.1	114-18021	0.13 / 0.17	
6-928999-5	Au-Gel	Ag	A = 2.5, B = 3.6, C = 5.6, D = 13.7, M = 0.2	E = 2, G = 2.1, Dr = 1	H = 2.7, K = 2.9, L = 0.7, D150 = 1.6	0.11	114-18021	0.50-0.75	
5-928999-6	Ag	Au	A = 2.5, B = 3.6, C = 5.6, D = 13.7, M = 0.2	E = 1.8, G = 1.8, Dr = 0.8	H = 2.3, K = 2.3, L = 0.6, D150 = 1.4	0.11	114-18021	0.25-0.35	
5-928999-5	Au	Sn	A = 2.5, B = 3.7, C = 5.4, D = 13.7, M = 0	E = 1.5, G = 1.5, Dr = 0.65	H = 2, K = 2, D150 = 1.1	0.1	114-18021	0.13 / 0.17	
5-928999-1	Sn	Ag	A = 2.5, B = 3.7, C = 5.4, D = 13.7, M = 0	E = 1.5, G = 1.5, Dr = 0.65	H = 2, K = 2, D150 = 1.1	0.1	114-18021	0.13 / 0.17	
2141824-6	Ag	Au	A = 2.5, B = 3.7, C = 5.4, D = 13.7, M = 0	E = 1.5, G = 1.5, Dr = 0.65	H = 2, K = 2, D150 = 1.1	0.1	114-18021	0.08-0.22	
2141824-5	Au	Sn	A = 2.5, B = 3.7, C = 5.4, D = 13.7, M = 0	E = 1.5, G = 1.5, Dr = 0.65	H = 2, K = 2, D150 = 1.1	0.1	114-18021	0.08-0.22	
2141824-1	Sn	Ag	A = 2.5, B = 3.7, C = 5.4, D = 13.7, M = 0	E = 1.5, G = 1.5, Dr = 0.65	H = 2, K = 2, D150 = 1.1	0.1	114-18021	0.08-0.22	
1355717-6	Ag	Au	A = 2.5, B = 3.7, C = 5.4, D = 13.7, M = 0	E = 1.5, G = 1.5, Dr = 0.65	H = 2, K = 2, D150 = 1.1	0.1	114-18021	0.08-0.22	
1355717-5	Au	Sn	A = 2.5, B = 3.7, C = 5.4, D = 13.7, M = 0	E = 1.5, G = 1.5, Dr = 0.65	H = 2, K = 2, D150 = 1.1	0.1	114-18021	0.08-0.22	
1355717-1	Sn	Ag	A = 2.5, B = 3.7, C = 5.4, D = 13.7, M = 0	E = 1.5, G = 1.5, Dr = 0.65	H = 2, K = 2, D150 = 1.1	0.1	114-18021	0.08-0.22	

Bestell-Nr. Ausfuehrung ORDER NO. DESIGN 2	Bestell-Nr. Ausfuehrung ORDER NO. DESIGN 3	Rev.	Bestell-Nr. Ausfuehrung ORDER NO. DESIGN 1	Rev.	VERSION	DGB Wire Size Range mm <sup>2</sup>	Oberflaeche SURFACE	Laenge LENGTH mm	Drahtcrimp WIRE CRIMP mm	Iso-crimp INSU-CRIMP mm	Gewicht WEIGHT g	Vergaehrung Spez. APPLICATION SPEC.	DGB Wire Size Range mm <sup>2</sup>	Isolations Ø INSULATING DIA. mm	fuer Kammer Ø3.45 FOR CAVITY DIA. 3.45 mm	Blindstopfen RUBBER PLUG	fuer Kammer Ø4 FOR CAVITY DIA. 4 mm	Blindstopfen RUBBER PLUG	zugehoerige Einzeldichtung / SUITABLE SINGLE WIRE SEAL
					normale Anwendung USUAL APPLICATION														

THIS DRAWING IS A CONTROLLED DOCUMENT.

OWNER: S. Garcia 05JAN1999  
 CHK: M. Bleicher 05JAN1999  
 PRODUCED BY: R. Jetter 13AUG2003

TE Connectivity

NAME: MQS  
 Tabellenzeichnung Buchsenkontakt  
 TABLE SOCKET CONTACT

APPLICATION SPEC: 108-18030  
 114-18021 / 114-18025

SIZE: A1  
 CAGE CODE: 00779  
 DRAWING NO: 929454

RESTRICTED TO: -  
 SCALE: 10:1  
 SHEET: 1 of 1  
 REV: C26

## X-ON Electronics

Largest Supplier of Electrical and Electronic Components

*Click to view similar products for [Automotive Connectors](#) category:*

*Click to view products by [TE Connectivity](#) manufacturer:*

Other Similar products are found below :

[003-018-000](#) [60403001](#) [60993906-B](#) [M902-2131](#) [M902-2161](#) [72.330.1035.1](#) [73.353.4028.0](#) [F119300-B](#) [F166900](#) [F258300-B](#) [F358300-B](#)  
[F407400](#) [F444110](#) [F487000](#) [F509500B-B](#) [827153-1](#) [8N1515-32-24P](#) [9-1326729-8](#) [925474-1](#) [928905-1](#) [964562-4](#) [968782-1](#) [GT17SA-8DS-](#)  
[HU](#) [98891-1012](#) [98947-1016](#) [12004147](#) [12004475-L](#) [12010290](#) [12010309-B](#) [12015454](#) [12020219-B](#) [12020308](#) [12041318-B](#) [12052225-L](#)  
[12052466](#) [12059125](#) [12064869](#) [12004327-B](#) [12010503-B](#) [12015308](#) [12015384](#) [12015909](#) [1-21030-1](#) [12041254](#) [12041318](#) [12047946-B](#)  
[12047957](#) [12047957-L](#) [12059473](#) [12066261](#)