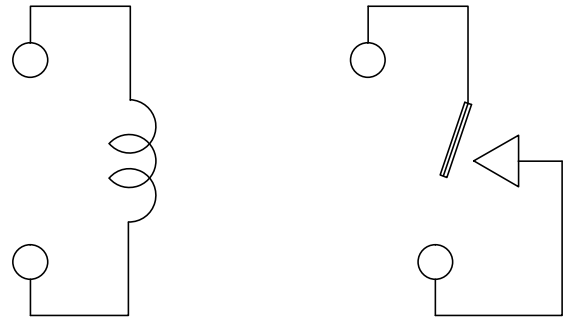
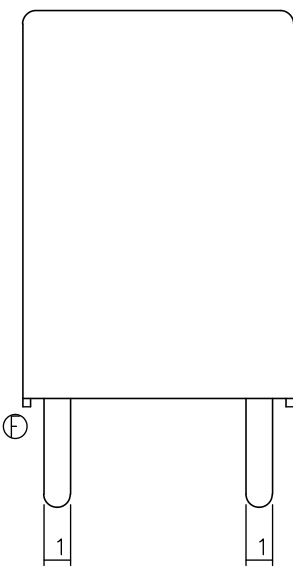
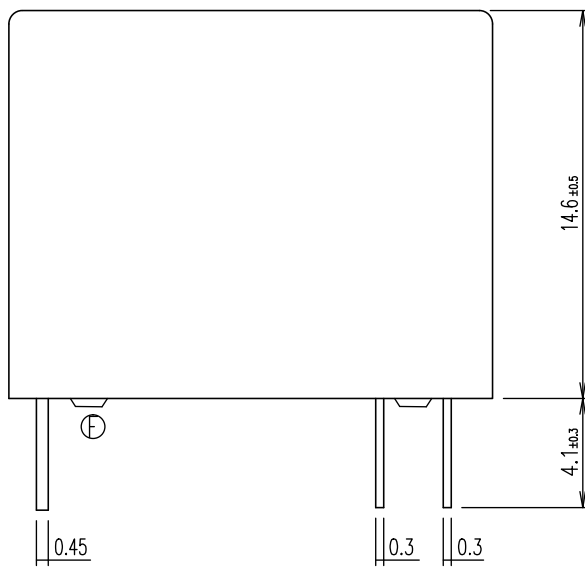
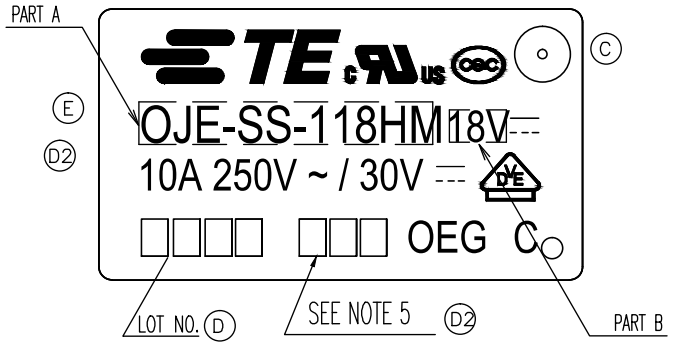


THIS DRAWING IS UNPUBLISHED. RELEASED FOR PUBLICATION
 © COPYRIGHT By TE CONNECTIVITY ALL RIGHTS RESERVED.

LOC	DIST	REVISIONS			
P	LTR	DESCRIPTION	DATE	DWN	APVD
HB	-				
	F	REMOVED THE RIB ON THE BASE TO CASE ECO-15-011310	03Nov2015	YS.H	CHL



CONNECTION FIGURE

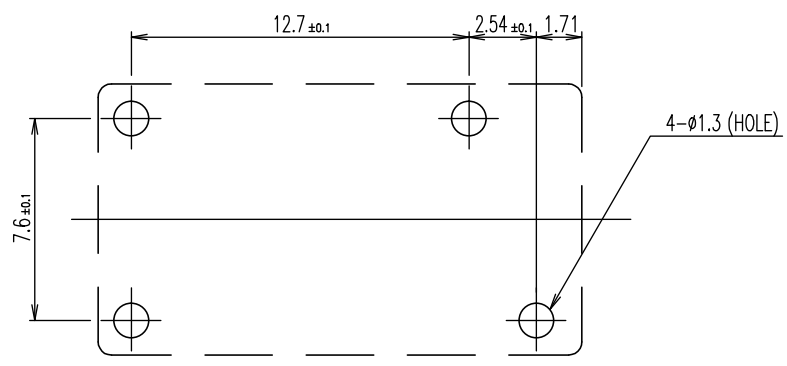
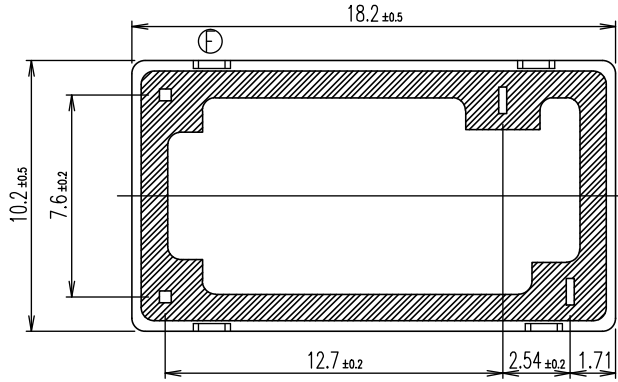


FIGURE FOR PRINTED CIRCUIT BOARD PROCESSING (BOTTOM VIEW)



THIS DRAWING IS A CONTROLLED DOCUMENT.		DWN	H.Sasaki	-	TE TE Connectivity	
DIMENSIONS: mm		CHK	Y.Oikawa	-		
TOLERANCES UNLESS OTHERWISE SPECIFIED:		APVD	A.Nagai	-	NAME	
0 PLC	± -	PRODUCT SPEC	-	OJE-SS-HM SPEC,000 CUSTOMER DRAWING		
1 PLC	± -	APPLICATION SPEC	-	SIZE	CAGE CODE	DRAWING NO
2 PLC	± -	WEIGHT	-	A3	00779	1461103
3 PLC	± -	CUSTOMER DRAWING		SCALE	SHEET	REV
4 PLC	± -			5:1	1 OF 2	F
ANGLES	± -					
MATERIAL	FINISH					

THIS DRAWING IS UNPUBLISHED.

RELEASED FOR PUBLICATION

© COPYRIGHT By - TE CONNECTIVITY

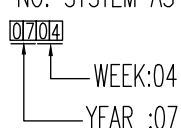
ALL RIGHTS RESERVED.

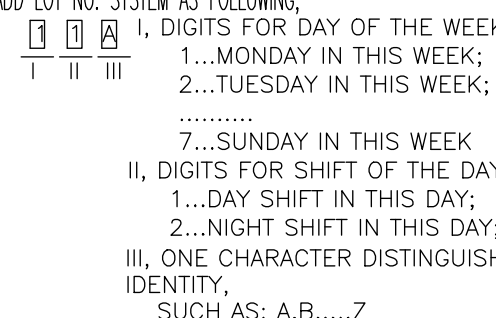
LOC HB DIST -

REVISIONS

P	LTR	DESCRIPTION	DATE	DWN	APVD
-		SEE SHEET 1	-	-	-

1461103-3	OJE-SS-148HM, 000	48V	OJE-SS-148HM	h
6-1419128-4	OJE-SS-124HM, 000	24V	OJE-SS-124HM	g
1461103-2	OJE-SS-118HM, 000	18V	OJE-SS-118HM	f
4-1419128-3	OJE-SS-112HM, 000	12V	OJE-SS-112HM	e
3-1419128-5	OJE-SS-109HM, 000	9V	OJE-SS-109HM	d
3-1419128-2	OJE-SS-106HM, 000	6V	OJE-SS-106HM	c
2-1419128-9	OJE-SS-105HM, 000	5V	OJE-SS-105HM	b
1461103-1	OJE-SS-103HM, 000	3V	OJE-SS-103HM	a
PART NO	DESCRIPTION	PART B	PART A	TYPE



ⓓ Ⓞ NOTES:
 1.LOT NO. SYSTEM AS FOLLOWING:


ⓓ 5.ADD LOT NO. SYSTEM AS FOLLOWING;


ⓓ 2.TERMINAL DIMENSION IS BEFORE SOLDER DIP;
 ⓓ 3.FOR THE TIN-PLATING OF THE PINS:
 +0.1mm FOR WIDTH,THICKENSS AND DIAMETER.
 +0.5mm FOR LENGTH.

ⓓ 4.MARKING FROM INK TO LASER AND USING WELDED CONTACT

		EPOXY RESIN	SEAL (BASE & BOBBIN)	15
		JUEW	MAGNETIC WIRE	14
94V-0		P.B.T	CASE	13
94V-0		P.B.T	BASE	12
94V-0		P.B.T	BOBBIN	11
	SOLDER DIP	C.P WIRE	COIL TERMINAL	10
94V-0			CARD	9
		Ag ALLOY	MOVABLE CONTACT	8
		Ag	NO.CONTACT	7
		STEEL	HINGE SPRING	6
	SOLDER DIP	PBP	NO.TERMINAL	5
	SOLDER DIP	Cu ALLOY	MOVABLE SPRING	4
	NIP	STEEL	CORE	3
	NIP	STEEL	ARMATURE	2
	NIP	STEEL	YOKE	1
INCOMBUSTIBILITY	TREATMENT	MATERIAL	DESCRIPTION	ITEM

THIS DRAWING IS A CONTROLLED DOCUMENT.		DWN H.Sasaki	 TE Connectivity OJE-SS-HM SPEC,000 CUSTOMER DRAWING				
DIMENSIONS: mm		CHK Y.Oikawa					
		APVD A.Nagai					
TOLERANCES UNLESS OTHERWISE SPECIFIED:		PRODUCT SPEC -					
MATERIAL		FINISH	APPLICATION SPEC -	SIZE A3	CAGE CODE 00779	DRAWING NO 1461103	RESTRICTED TO -
CUSTOMER DRAWING			WEIGHT -	SCALE 5:1	SHEET 2 OF 2	REV F	

X-ON Electronics

Largest Supplier of Electrical and Electronic Components

Click to view similar products for [General Purpose Relays](#) category:

Click to view products by [TE Connectivity](#) manufacturer:

Other Similar products are found below :

[PCN-105D3MH,000](#) [59641F200](#) [5JO-1000CD-SIL](#) [LY1SAC110120](#) [5X827E](#) [5X837F](#) [5X840F](#) [5X842F](#) [5X848E](#) [LY2N-AC120](#) [LY2S-AC220/240](#) [LY2-US-AC120](#) [LY3-US-AC120](#) [LY4F-UA-DC12](#) [LY4F-UA-DC24](#) [LY4F-US-AC120](#) [LY4F-US-AC240](#) [LY4F-US-DC24](#) [LY4F-VD-AC110](#) [LYQ20DC12](#) [M115C60](#) [M115N010](#) [M115N0150](#) [6031007G](#) [603-12D](#) [61211T0B4](#) [61212T400](#) [61222Q400](#) [61243B600](#) [61243C500](#) [61243Q400](#) [61311BOA2](#) [61311BOA6](#) [61311BOA8](#) [61311C0A2](#) [61311COA1](#) [61311COA6](#) [61311F0A2](#) [61311QOA1](#) [61311QOA4](#) [61311T0D6](#) [61311TOA6](#) [61311TOA7](#) [61311TOB3](#) [61311TOB4](#) [61311U0A6](#) [61312Q600](#) [61312T400](#) [61312T600](#) [61313U200](#)