

THIS DRAWING IS UNPUBLISHED. RELEASED FOR PUBLICATION  
 © COPYRIGHT - By - TE CONNECTIVITY ALL RIGHTS RESERVED.

LOC	DIST	REVISIONS 変更					
HB	-	P	LTR	DESCRIPTION	DATE	DWN	APVD
		F		REMOVED THE RIB ON THE BASE TO CASE ECO-15-011310	19Nov2015	YS.H	CHL

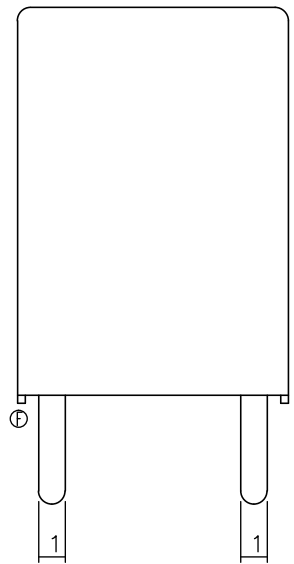
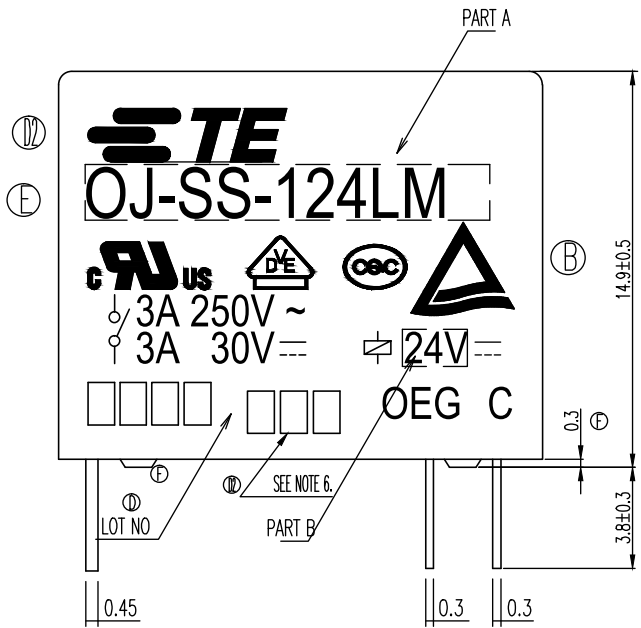
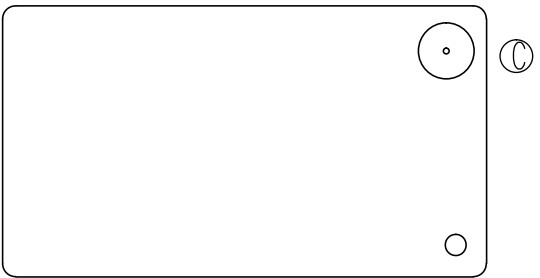
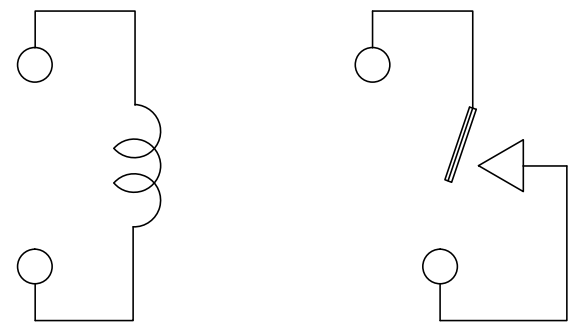


Diagram dimension	Tolerance
0.99mm max.	±0.1mm
1 - 2.99mm	±0.2mm
3mm min.	±0.3mm



CONNECTION FIGURE

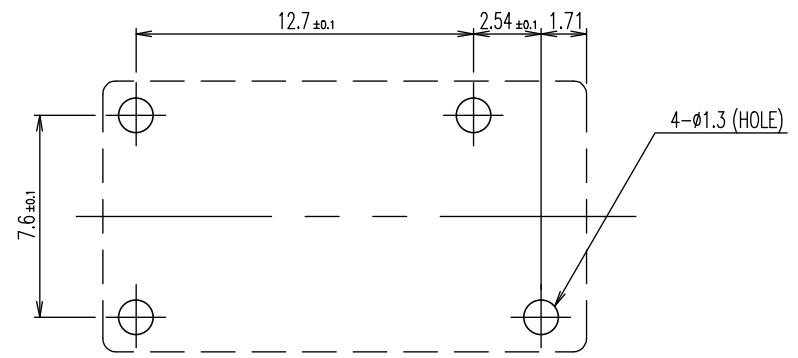
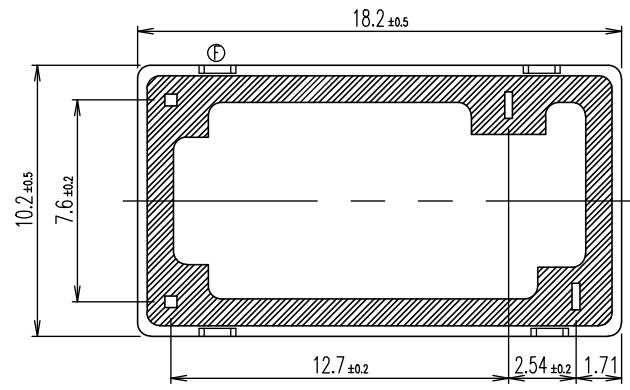


FIGURE FOR PRINTED CIRCUIT BOARD PROCESSING  
(BOTTOM VIEW)



THIS DRAWING IS A CONTROLLED DOCUMENT.		DWN	H.Sasaki	-	<b>TE</b> TE Connectivity		
DIMENSIONS: 単位: 耗 mm		CHK	Y.Oikawa	-			
TOLERANCES UNLESS OTHERWISE SPECIFIED: 一般公差		APVD	A.Nagai	-	NAME 名称 OJ-SS-LM SPEC,000 CUSTOMER DRAWING		
0 PLC ± - 1 PLC ± - 2 PLC ± - 3 PLC ± - 4 PLC ± - ANGLES ± -		PRODUCT SPEC 製品規格		-	SIZE		
MATERIAL 材料		APPLICATION SPEC 取付適用規格		-	CAGE CODE	DRAWING NO 番号	RESTRICTED TO
FINISH 仕上		WEIGHT		-	A3	00779	1461117
		CUSTOMER DRAWING		SCALE 尺度	5:1	SHEET 1 OF 2	REV F

THIS DRAWING IS UNPUBLISHED. RELEASED FOR PUBLICATION - . - .  
 © COPYRIGHT - By - TE CONNECTIVITY ALL RIGHTS RESERVED.

LOC	DIST	REVISIONS 変更					
HB	-	P	LTR	DESCRIPTION	DATE	DWN	APVD
		-		SEE SHEET 1	-	-	-

3-1419129-1	OJ-SS-124LM, 000	107-79010	24V	OJ-SS-124LM	f
4-1419144-2	OJ-SS-118LM, 000	107-79010	18V	OJ-SS-118LM	e
2-1419129-1	OJ-SS-112LM, 000	107-79010	12V	OJ-SS-112LM	d
1461117-3	OJ-SS-109LM, 000	107-79010	9V	OJ-SS-109LM	c
1440007-1	OJ-SS-106LM, 000	107-79010	6V	OJ-SS-106LM	b
1440007	OJ-SS-105LM, 000	107-79010	5V	OJ-SS-105LM	a
PART NO	DESCRIPTION	PACKAGE SPEC.	PART B	PART A	TYPE

RELAY TYPE

ⓓⓔ NOTE:  
 1. LOT NO SYSTEM AS FOLLOWING:



WEEK  
YEAR

ⓓ 2. TERMINAL DIMENSION IS BEFORE SOLDER DIP;

ⓓ 3. FOR THE TIN-PLATING OF THE PINS:  
 +0.1mm FOR WIDTH, THICKNESS AND DIAMETER.  
 +0.5mm FOR LENGTH.

ⓔⓓ 4. USED WELDED CONTACT & LASER MARKING.

ⓓ 5. ADD LOT NO. SYSTEM AS FOLLOWING;

I II III I, DIGITS FOR DAY OF THE WEEK  
 1...MONDAY IN THIS WEEK;  
 2...TUESDAY IN THIS WEEK;  
 .....  
 7...SUNDAY IN THIS WEEK

II, DIGITS FOR SHIFT OF THE DAY

1...DAY SHIFT IN THIS DAY;  
 2...NIGHT SHIFT IN THIS DAY;

III, ONE CHARACTER DISTINGUISH THE LINE IDENTITY, SUCH AS: A,B,....Z

		EPOXY RESIN	SEAL (BASE & BOBBIN)	15
		JUEW	MAGNETIC WIRE	14
94V-0		P.B.T	CASE	13
94V-0		P.B.T	BASE	12
94V-0		P.B.T	BOBBIN	11
	SOLDER DIP	C.P WIRE	COIL TERMINAL	10
94V-0		P.P.S	CARD	9
		Ag	MOVABLE CONTACT	8
		Ag	NO.CONTACT	7
		STEEL	HINGE SPRING	6
	SOLDER DIP	Cu ALLOY	NO.TERMINAL	5
	SOLDER DIP	Cu ALLOY	MOVABLE SPRING	4
	NIP	STEEL	CORE	3
	NIP	STEEL	ARMATURE	2
	NIP	STEEL	YOKE	1
INCOMBUSTIBILITY	TREATMENT	MATERIAL	DESCRIPTION	ITEM

THIS DRAWING IS A CONTROLLED DOCUMENT.		DWN	H.Sasaki	-
		CHK	Y.Oikawa	-
		APVD	A.Nagai	-
DIMENSIONS: 單位: 耗 mm		TOLERANCES UNLESS OTHERWISE SPECIFIED: 一般公差		NAME 名称
		PRODUCT SPEC 製品規格		OJ-SS-LM SPEC,000 CUSTOMER DRAWING
		APPLICATION SPEC 取付適用規格		
MATERIAL 材料		FINISH 仕上		SIZE
				A3
		WEIGHT		CAGE CODE
				00779
		CUSTOMER DRAWING		DRAWING NO 番号
				1461117
		SCALE 尺度		RESTRICTED TO
		5:1		-
		SHEET		REV
		2 OF 2		F

## X-ON Electronics

Largest Supplier of Electrical and Electronic Components

*Click to view similar products for [General Purpose Relays](#) category:*

*Click to view products by [TE Connectivity](#) manufacturer:*

Other Similar products are found below :

[PCN-105D3MH,000](#) [59641F200](#) [LY1SAC110120](#) [5X827E](#) [5X837F](#) [5X840F](#) [5X842F](#) [5X848E](#) [LY2N-AC120](#) [LY2S-AC220/240](#) [LY2-US-AC120](#) [LY3-US-AC120](#) [LY4F-UA-DC12](#) [LY4F-UA-DC24](#) [LY4F-US-AC120](#) [LY4F-US-AC240](#) [LY4F-US-DC24](#) [LY4F-VD-AC110](#) [LYQ20DC12](#) [M115C60](#) [M115N010](#) [M115N0150](#) [6031007G](#) [603-12D](#) [61211T0B4](#) [61212T400](#) [61222Q400](#) [61243B600](#) [61243C500](#) [61243Q400](#) [61311BOA2](#) [61311BOA6](#) [61311BOA8](#) [61311C0A2](#) [61311COA1](#) [61311COA6](#) [61311F0A2](#) [61311QOA1](#) [61311QOA4](#) [61311T0D6](#) [61311TOA6](#) [61311TOA7](#) [61311TOB3](#) [61311TOB4](#) [61311U0A6](#) [61312Q600](#) [61312T400](#) [61312T600](#) [61313U200](#) [61313U400](#)