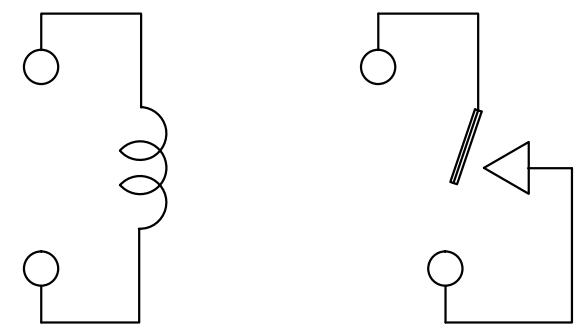
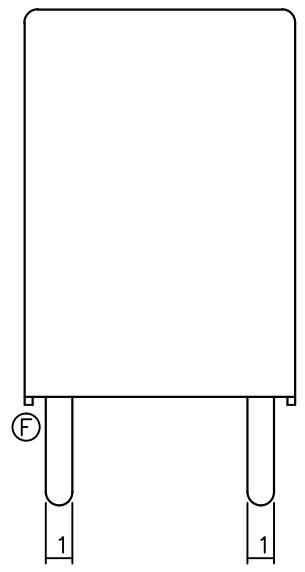
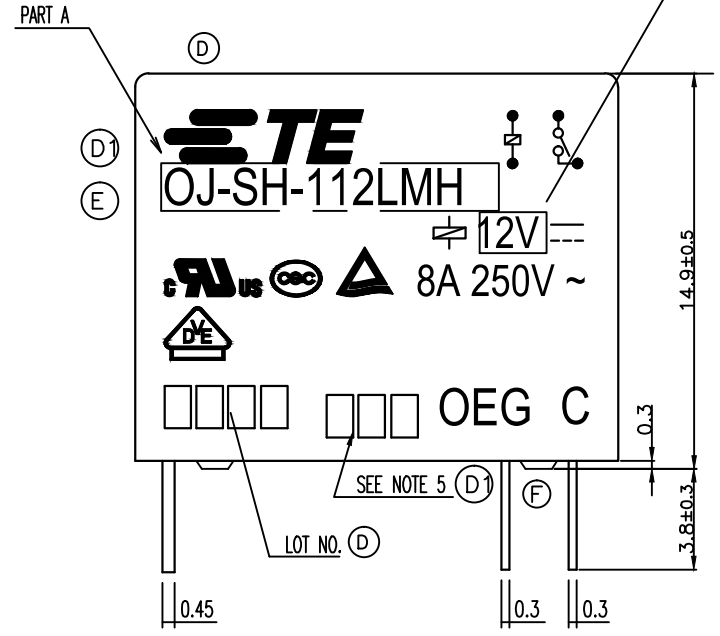
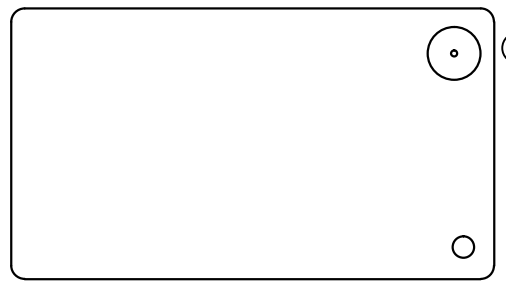


THIS DRAWING IS UNPUBLISHED. RELEASED FOR PUBLICATION
 © COPYRIGHT - By - TE CONNECTIVITY ALL RIGHTS RESERVED.

LOC	DIST	REVISIONS			
P	LTR	DESCRIPTION	DATE	DWN	APVD
HB	-	F	REMOVED THE PWB ON THE BASE TO CASE E00-15-011310	3Nov2015	HYS CHL



CONNECTION FIGURE

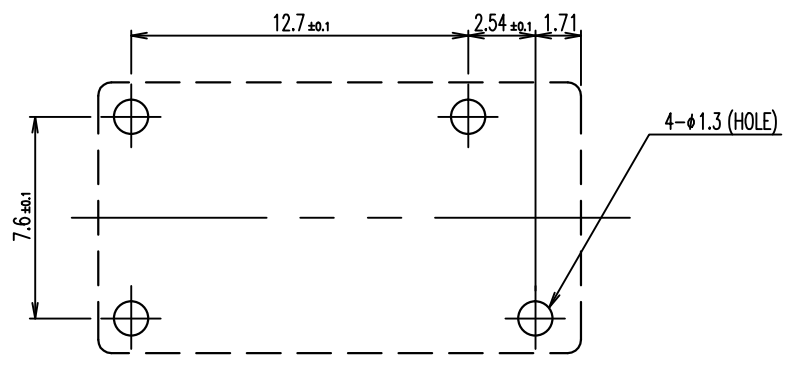
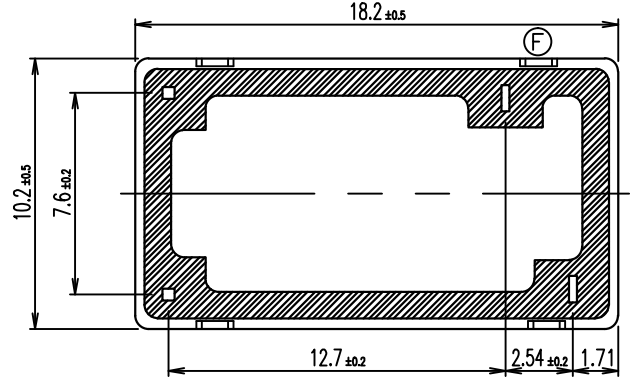


FIGURE FOR PRINTED CIRCUIT BOARD PROCESSING (BOTTOM VIEW)



THIS DRAWING IS A CONTROLLED DOCUMENT.		DWN	H.Sasaki	-	TE Connectivity OJ-SS-LMH CUSTOMER DRAWING		
DIMENSIONS: mm		CHK	Y.Oikawa	-			
TOLERANCES UNLESS OTHERWISE SPECIFIED:		APVD	A.Nagai	-			
0 PLC ± - 1 PLC ± - 2 PLC ± - 3 PLC ± - 4 PLC ± - ANGLES ± -		PRODUCT SPEC	-	NAME			
MATERIAL	FINISH	APPLICATION SPEC	-	SIZE	CAGE CODE	DRAWING NO	RESTRICTED TO
-	-	WEIGHT	-	A3	00779	1461080	-
CUSTOMER DRAWING				SCALE	5:1	SHEET	1 OF 2
				REV	F		

THIS DRAWING IS UNPUBLISHED.

RELEASED FOR PUBLICATION

© COPYRIGHT - By - TE CONNECTIVITY

ALL RIGHTS RESERVED.

LOC
HB

DIST
-

REVISIONS

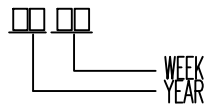
P	LTR	DESCRIPTION	DATE	DWN	APVD
-	-	SEE SHEET 1	-	-	-

4-1419144-4	OJ-SS-124LMH	107-79010	24V	OJ-SS-124LMH	g
1-1461080-1	OJ-SS-118LMH	107-79010	18V	OJ-SS-118LMH	f
2-1419129-5	OJ-SS-112LMH	107-79010	12V	OJ-SS-112LMH	e
1461080-3	OJ-SS-109LMH	107-79010	9V	OJ-SS-109LMH	d
4-1419144-0	OJ-SS-106LMH	107-79010	6V	OJ-SS-106LMH	c
1461080-2	OJ-SS-105LMH	107-79010	5V	OJ-SS-105LMH	b
1461080-1	OJ-SS-103LMH	107-79010	3V	OJ-SS-103LMH	a
TE PART NO	TE TYPE NAME	PACKAGE SPEC.	PART B	PART A	TYPE

RELAY TYPE

ⓓ ⓐ NOTES:

1.LOT NO. SYSTEM AS FOLLOWING:



ⓓ 2.TERMINAL DIMENSION IS BEFORE SOLDER DIP;

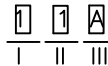
ⓓ 3.FOR THE TIN-PLATING OF THE PINS:

+0.1mm FOR WIDTH, THICKNESS AND DIAMETER.

+0.5mm FOR LENGTH.

ⓓ 4.MARKING FROM INK TO LASER AND USING WELDED CONTACT

ⓓ 5.ADD LOT NO. SYSTEM AS FOLLOWING;



I, DIGITS FOR DAY OF THE WEEK

1...MONDAY IN THIS WEEK;

2...TUESDAY IN THIS WEEK;

.....

7...SUNDAY IN THIS WEEK

II, DIGITS FOR SHIFT OF THE DAY

1...DAY SHIFT IN THIS DAY;

2...NIGHT SHIFT IN THIS DAY;

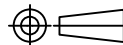
III, ONE CHARACTER DISTINGUISH THE LINE IDENTITY,

SUCH AS: A,B.....Z

		EPOXY RESIN	SEAL (BASE & BOBBIN)	15
		JUEW	MAGNETIC WIRE	14
94V-0		P.B.T	CASE	13
94V-0		P.B.T	BASE	12
94V-0		P.B.T	BOBBIN	11
	SOLDER DIP	C.P WIRE	COIL TERMINAL	10
94V-0		P.P.S	CARD	9
		Ag ALLOY	MOVABLE CONTACT	8
		Ag ALLOY	NO.CONTACT	7
		STEEL	HINGE SPRING	6
	SOLDER DIP	Cu ALLOY	NO.TERMINAL	5
	SOLDER DIP	Cu ALLOY	MOVABLE SPRING	4
	NIP	STEEL	CORE	3
	NIP	STEEL	ARMATURE	2
	NIP	STEEL	YOKE	1
INCOMBUSTIBILITY	TREATMENT	MATERIAL	DESCRIPTION	ITEM

THIS DRAWING IS A CONTROLLED DOCUMENT.

DIMENSIONS:
mm



TOLERANCES UNLESS OTHERWISE SPECIFIED:

0 PLC	± -
1 PLC	± -
2 PLC	± -
3 PLC	± -
4 PLC	± -
ANGLES	± -

MATERIAL

FINISH

DWN H.Sasaki

CHK Y.Oikawa

APVD A.Nagai

PRODUCT SPEC

APPLICATION SPEC

WEIGHT

CUSTOMER DRAWING



TE Connectivity

NAME
-
OJ-SS-LMH CUSTOMER DRAWING
-

SIZE	CAGE CODE	DRAWING NO	RESTRICTED TO
A3	00779	1461080	-

SCALE	SHEET	REV
5:1	2 OF 2	F

X-ON Electronics

Largest Supplier of Electrical and Electronic Components

Click to view similar products for [General Purpose Relays](#) category:

Click to view products by [TE Connectivity](#) manufacturer:

Other Similar products are found below :

[PCN-105D3MH,000](#) [59641F200](#) [5JO-1000CD-SIL](#) [LY1SAC110120](#) [5X827E](#) [5X837F](#) [5X840F](#) [5X842F](#) [5X848E](#) [LY2N-AC120](#) [LY2S-AC220/240](#) [LY2-US-AC120](#) [LY3-US-AC120](#) [LY4F-UA-DC12](#) [LY4F-UA-DC24](#) [LY4F-US-AC120](#) [LY4F-US-AC240](#) [LY4F-US-DC24](#) [LY4F-VD-AC110](#) [LYQ20DC12](#) [M115C60](#) [M115N010](#) [M115N0150](#) [6031007G](#) [603-12D](#) [61211T0B4](#) [61212T400](#) [61222Q400](#) [61243B600](#) [61243C500](#) [61243Q400](#) [61311BOA2](#) [61311BOA6](#) [61311BOA8](#) [61311C0A2](#) [61311COA1](#) [61311COA6](#) [61311F0A2](#) [61311QOA1](#) [61311QOA4](#) [61311T0D6](#) [61311TOA6](#) [61311TOA7](#) [61311TOB3](#) [61311TOB4](#) [61311U0A6](#) [61312Q600](#) [61312T400](#) [61312T600](#) [61313U200](#)