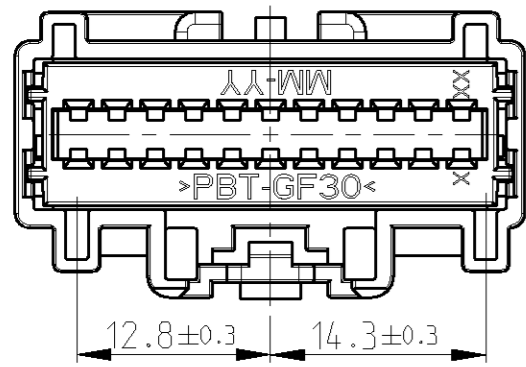
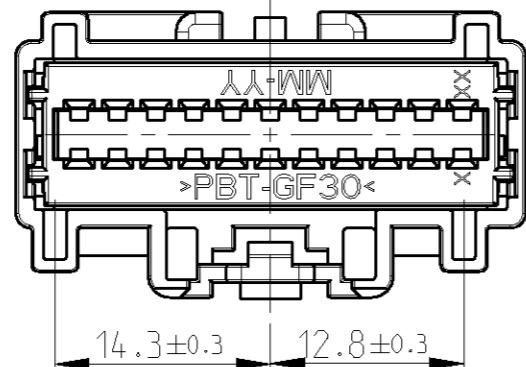


THIS DRAWING IS UNPUBLISHED. RELEASED FOR PUBLICATION 2007  
 © COPYRIGHT 2007 BY TYCO ELECTRONICS CORPORATION. ALL RIGHTS RESERVED.

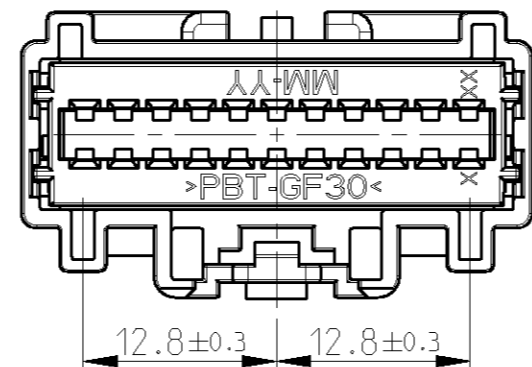
LOC	DIST	REVISIONS			
P	LTR	DESCRIPTION	DATE	DWN	APVD
A1	-				
	B	SEE ECR-07-014337	15JUN2007	HM	GS



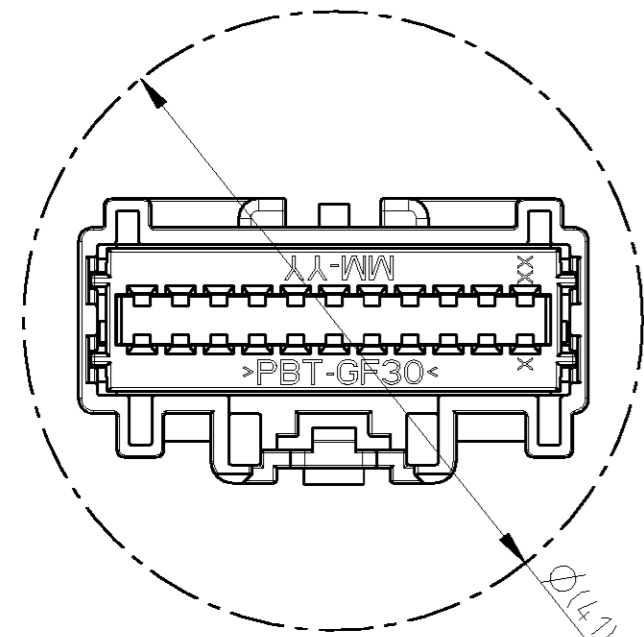
KEYING OPTION A



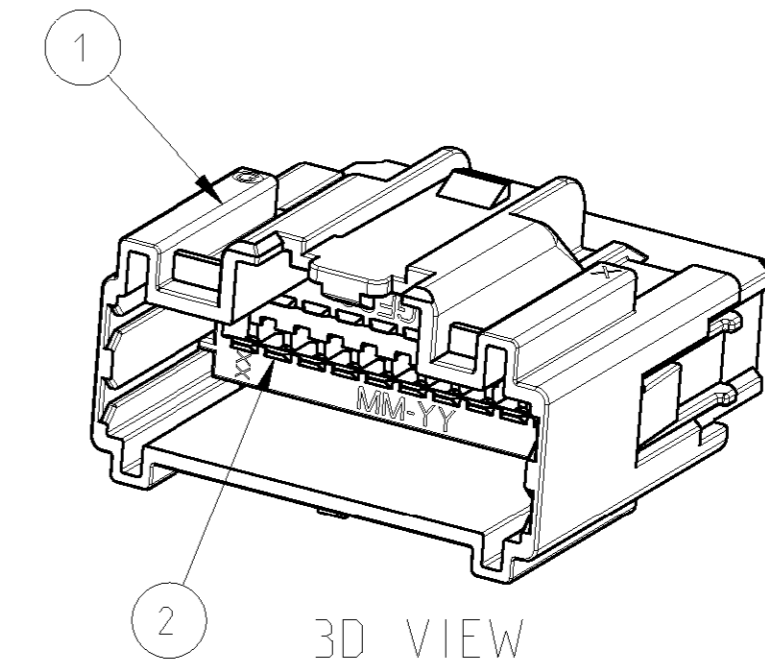
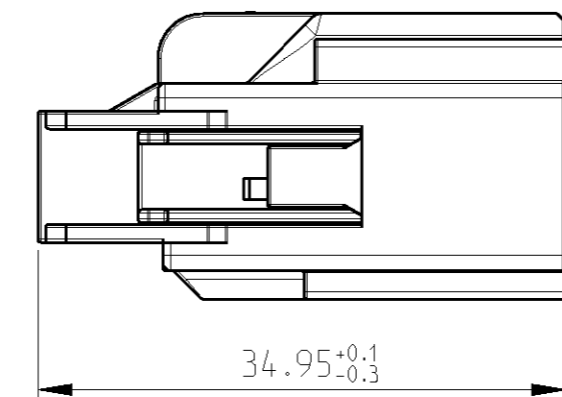
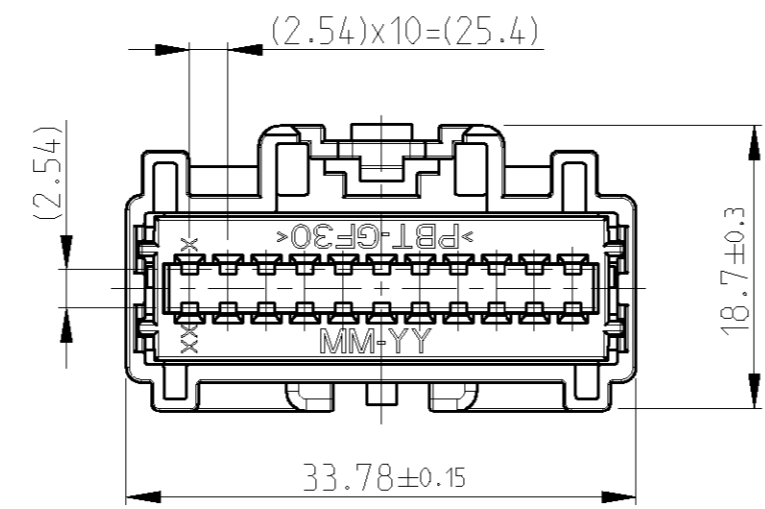
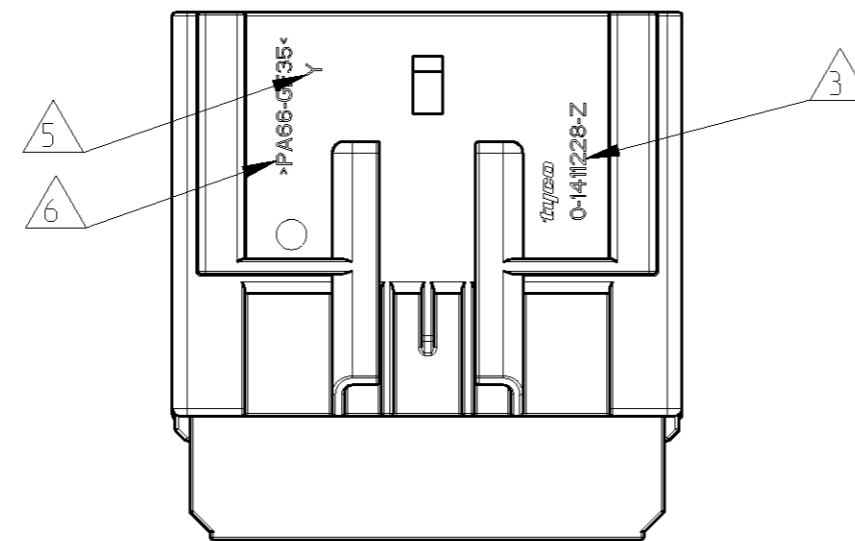
KEYING OPTION B



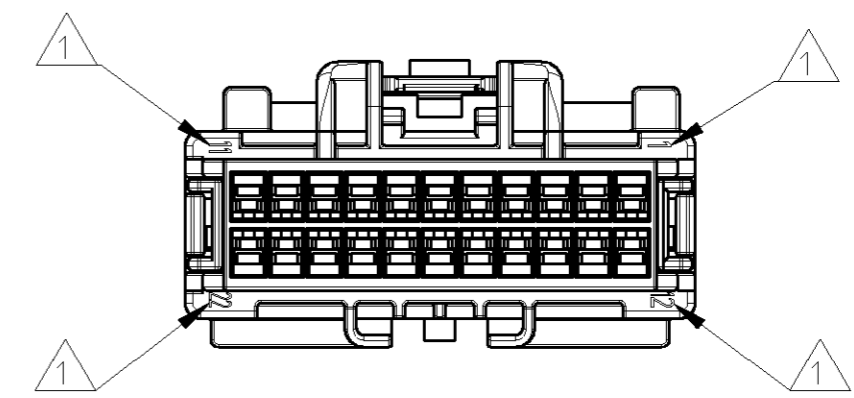
KEYING OPTION C



Ø14.0 MIN. incl. 2mm clearance around

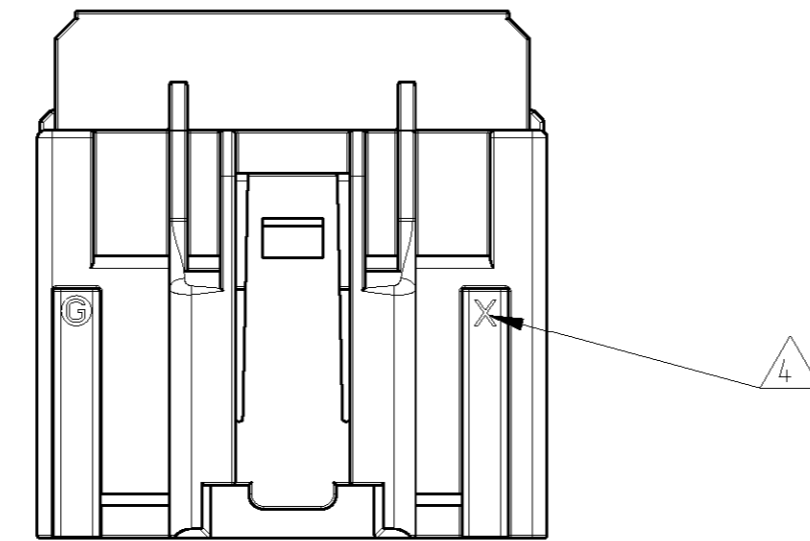


3D VIEW



NOTE:

- 1. CIRCUIT IDENTIFICATION NUMBERS LOCATED AS SHOWN
- 2. SPACER AND CPA (OPTIONAL) ARE SHIPPED IN PRE-ASSEMBLED POSITION
- 3. PART NUMBER
- 4. PRODUCT REVISION LEVEL (OPTIONAL)
- 5. TOOL NUMBER OR CAVITY NUMBER (OPTIONAL)
- 6. MATERIAL IDENTIFICATION
- 7. CONNECTOR ASSEMBLIES PACKED ON TRAY, TRAYS PACKED IN CARD BOX
- 8. KEYING OPTION A IS SHOWN



ASSY. PN.	REV.	DESCRIPTION
2-1419158-6	B	2X11 POS. MALE CONNECTOR ASSY CODE C
2-1419158-7	B	2X11 POS. MALE CONNECTOR ASSY CODE B
2-1419158-8	B	2X11 POS. MALE CONNECTOR ASSY CODE A

	DESCRIPTION	MATERIAL	COLOR	ITEM
X	2X11 POS. MALE HOUSING COD.C	PA66-GF35	NATURAL	1
X	2X11 POS. MALE HOUSING COD.B	PA66-GF35	GREEN	1
X	2X11 POS. MALE HOUSING COD.A	PA66-GF35	GREY	1
X X X	2X11 POS. MALE SPACER	PBT-GF30	RED	2

THIS DRAWING IS A CONTROLLED DOCUMENT FOR TYCO ELECTRONICS CORPORATION IT IS SUBJECT TO CHANGE AND THE CONTROLLING ENGINEERING ORGANIZATION SHOULD BE CONTACTED FOR THE LATEST REVISION.

DWN: B. Van Sebrouck 21OCT2002  
 CHK: G. Steinbach 22OCT2002  
 APVD: -

**tyco Electronics** tyco Electronics AMP GmbH  
 D-64625 Bensheim

NAME: GET MALE CONNECTOR, ASSY, 2x11 POS.  
 GET STIFTGEHAEUSE, ASSY, 2x11 POS.

SIZE: A2 CAGE CODE: 00779 DRAWING NO: 2-1419158-6 RESTRICTED TO: -

CUSTOMER DRAWING SCALE: 2:1 SHEET 1 OF 1 REV B

## X-ON Electronics

Largest Supplier of Electrical and Electronic Components

*Click to view similar products for [Automotive Connectors](#) category:*

*Click to view products by [TE Connectivity](#) manufacturer:*

Other Similar products are found below :

[003-018-000](#) [60403001](#) [60993906-B](#) [M902-2131](#) [M902-2161](#) [M902-2344](#) [72.330.1035.1](#) [73.353.4028.0](#) [F119300-B](#) [F166900](#) [F258300-B](#)  
[F358300-B](#) [F407400](#) [F444110](#) [F487000](#) [F509500B-B](#) [827153-1](#) [8N1515-32-24P](#) [9-1326729-8](#) [925474-1](#) [928905-1](#) [964562-4](#) [968782-1](#)  
[GT17SA-8DS-HU](#) [98891-1012](#) [98947-1016](#) [12004147](#) [12004475-L](#) [12010290](#) [12010309-B](#) [12015454](#) [12020219-B](#) [12041318-B](#) [12052225-](#)  
[L](#) [12052466](#) [12064869](#) [12004327-B](#) [12015308](#) [12015384](#) [12015909](#) [1-21030-1](#) [12041254](#) [12041318](#) [12047946-B](#) [12047957](#) [12047957-L](#)  
[12059473](#) [12066261](#) [12110546](#) [12110546-B](#)