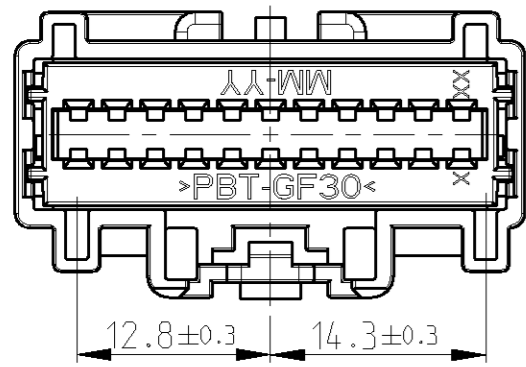
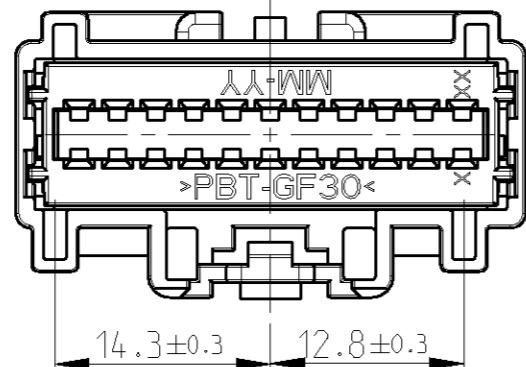


THIS DRAWING IS UNPUBLISHED. RELEASED FOR PUBLICATION 2007
 © COPYRIGHT 2007 BY TYCO ELECTRONICS CORPORATION. ALL RIGHTS RESERVED.

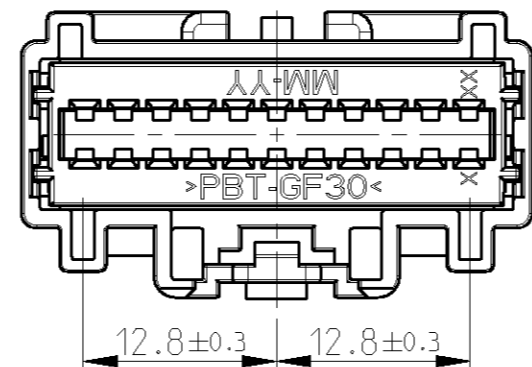
LOC	DIST	REVISIONS			
P	LTR	DESCRIPTION	DATE	DWN	APVD
A1	-				
	B	SEE ECR-07-014337	15JUN2007	HM	GS



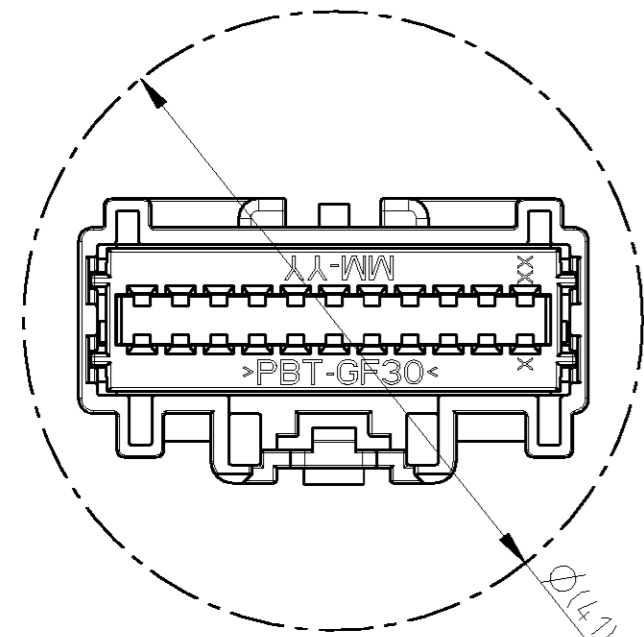
KEYING OPTION A



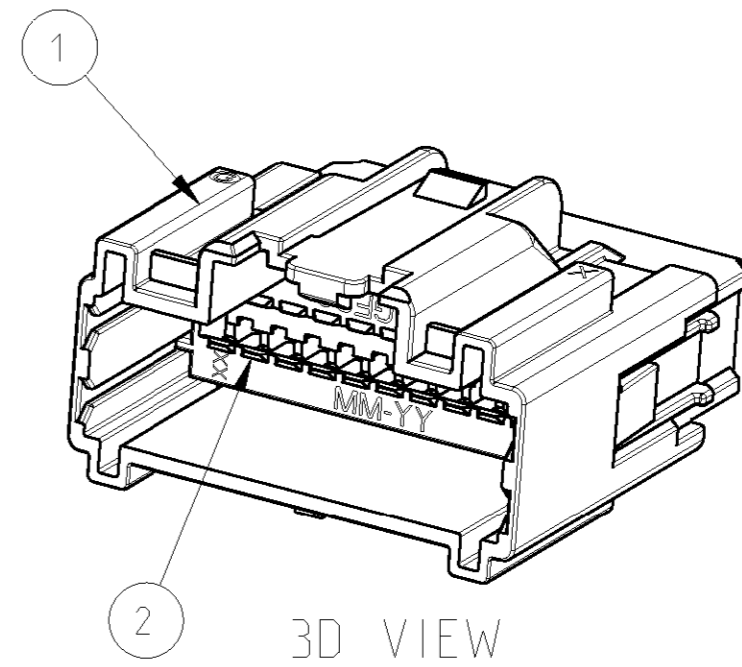
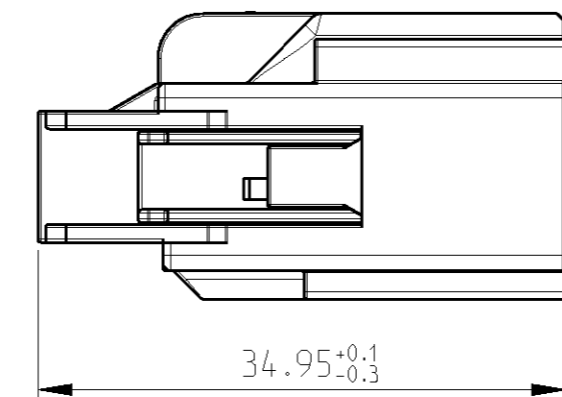
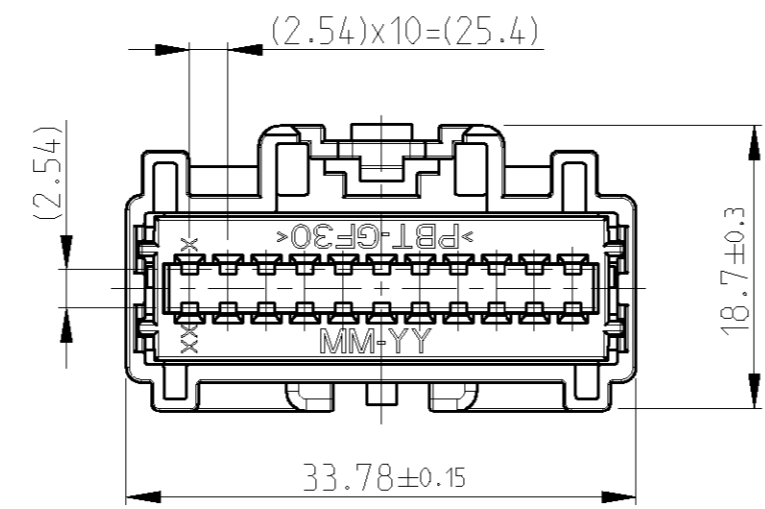
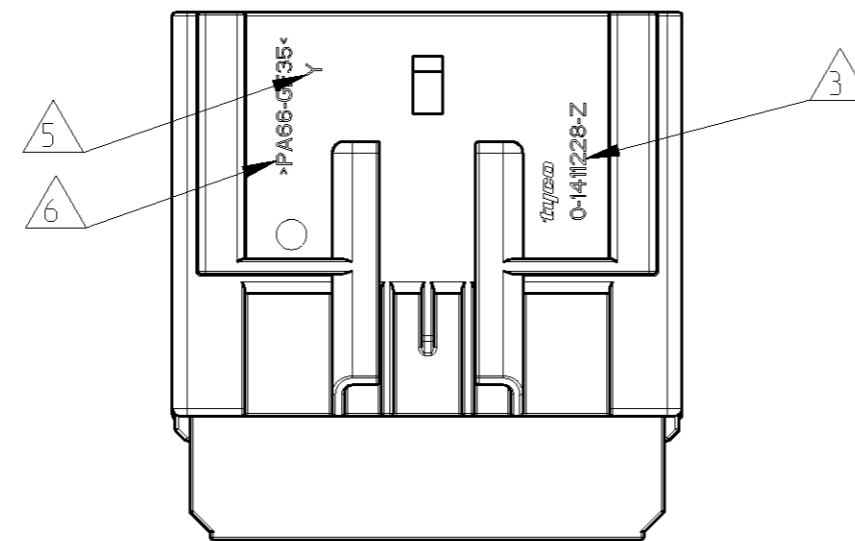
KEYING OPTION B



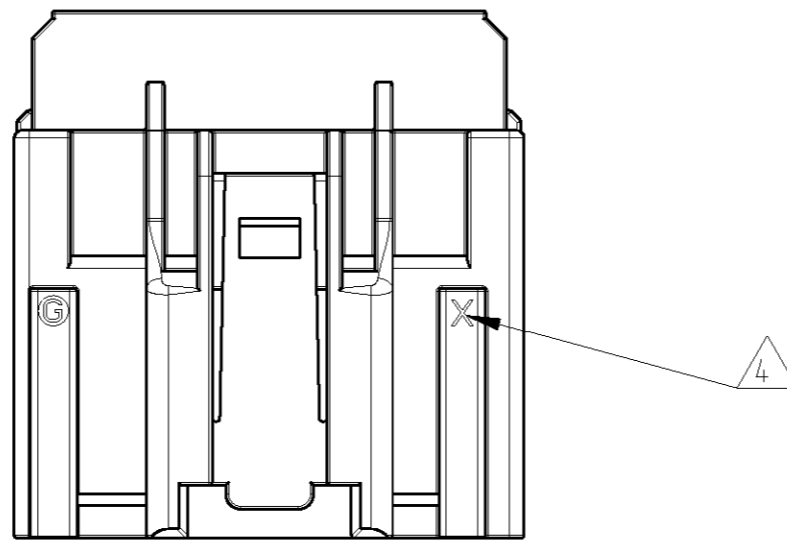
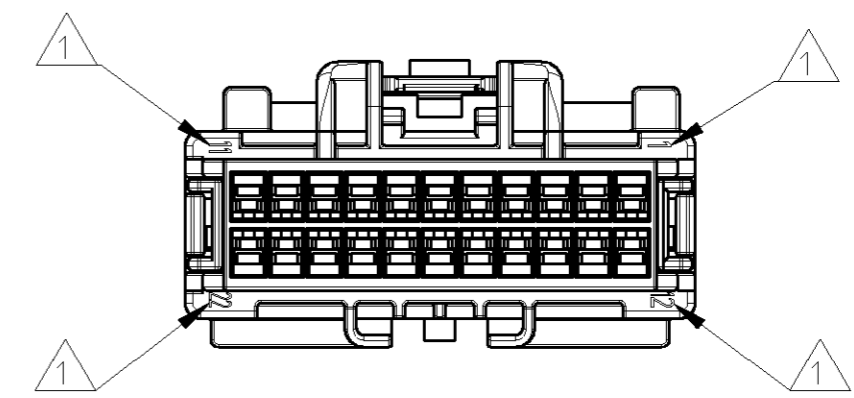
KEYING OPTION C



Ø14.2 MIN. incl. 2mm clearance around



3D VIEW



NOTE:

- 1. CIRCUIT IDENTIFICATION NUMBERS LOCATED AS SHOWN
- 2. SPACER AND CPA (OPTIONAL) ARE SHIPPED IN PRE-ASSEMBLED POSITION
- 3. PART NUMBER
- 4. PRODUCT REVISION LEVEL (OPTIONAL)
- 5. TOOL NUMBER OR CAVITY NUMBER (OPTIONAL)
- 6. MATERIAL IDENTIFICATION
- 7. CONNECTOR ASSEMBLIES PACKED ON TRAY, TRAYS PACKED IN CARD BOX
- 8. KEYING OPTION A IS SHOWN

ASSY. PN.	REV.	DESCRIPTION
2-1419158-6	B	2X11 POS. MALE CONNECTOR ASSY CODE C
2-1419158-7	B	2X11 POS. MALE CONNECTOR ASSY CODE B
2-1419158-8	B	2X11 POS. MALE CONNECTOR ASSY CODE A

	DESCRIPTION	MATERIAL	COLOR	ITEM
X	2X11 POS. MALE HOUSING COD.C	PA66-GF35	NATURAL	1
X	2X11 POS. MALE HOUSING COD.B	PA66-GF35	GREEN	1
X	2X11 POS. MALE HOUSING COD.A	PA66-GF35	GREY	1
X X X	2X11 POS. MALE SPACER	PBT-GF30	RED	2

<small>THIS DRAWING IS A CONTROLLED DOCUMENT FOR TYCO ELECTRONICS CORPORATION. IT IS SUBJECT TO CHANGE AND THE CONTROLLING ENGINEERING ORGANIZATION SHOULD BE CONTACTED FOR THE LATEST REVISION.</small>		DWN: 210CT2002 B. Van Sebrouck CHK: 220CT2002 G. Steinbach APVD: -	tyco Electronics tyco Electronics AMP GmbH D-64625 Bensheim
DIMENSIONS: mm 	TOLERANCES UNLESS OTHERWISE SPECIFIED: 0 PLC ±- 1 PLC ±- 2 PLC ±- 3 PLC ±- 4 PLC ±- ANGLES ±- FINISH -	NAME: GET MALE CONNECTOR, ASSY, 2x11 POS. GET STIFTGEHAEUSE, ASSY, 2x11 POS. PRODUCT SPEC: - APPLICATION SPEC: - WEIGHT: - CUSTOMER DRAWING	SIZE: A2 CAGE CODE: 00779 DRAWING NO: 2-1419158-6 RESTRICTED TO: - SCALE: 2:1 SHEET: 1 OF 1 REV: B

X-ON Electronics

Largest Supplier of Electrical and Electronic Components

Click to view similar products for [Automotive Connectors](#) category:

Click to view products by [TE Connectivity](#) manufacturer:

Other Similar products are found below :

[003-018-000](#) [60403001](#) [60993906-B](#) [M902-2131](#) [M902-2161](#) [72.330.1035.1](#) [73.353.4028.0](#) [F119300-B](#) [F166900](#) [F258300-B](#) [F358300-B](#)
[F407400](#) [F444110](#) [F487000](#) [F509500B-B](#) [827153-1](#) [8N1515-32-24P](#) [9-1326729-8](#) [925474-1](#) [928905-1](#) [964562-4](#) [968782-1](#) [GT17SA-8DS-](#)
[HU](#) [98891-1012](#) [98947-1016](#) [12004147](#) [12004475-L](#) [12010290](#) [12010309-B](#) [12015454](#) [12020219-B](#) [12020308](#) [12041318-B](#) [12052225-L](#)
[12052466](#) [12059125](#) [12064869](#) [12004327-B](#) [12010503-B](#) [12015308](#) [12015384](#) [12015909](#) [1-21030-1](#) [12041254](#) [12041318](#) [12047946-B](#)
[12047957](#) [12047957-L](#) [12059473](#) [12066261](#)