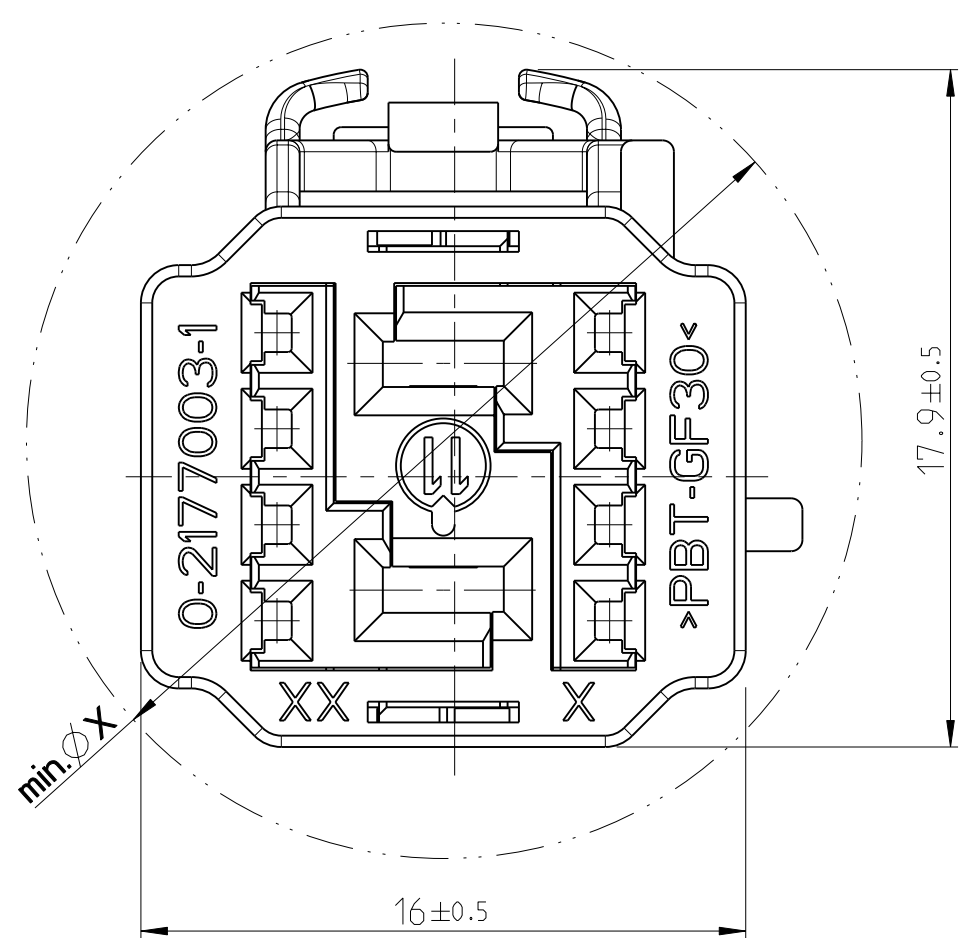
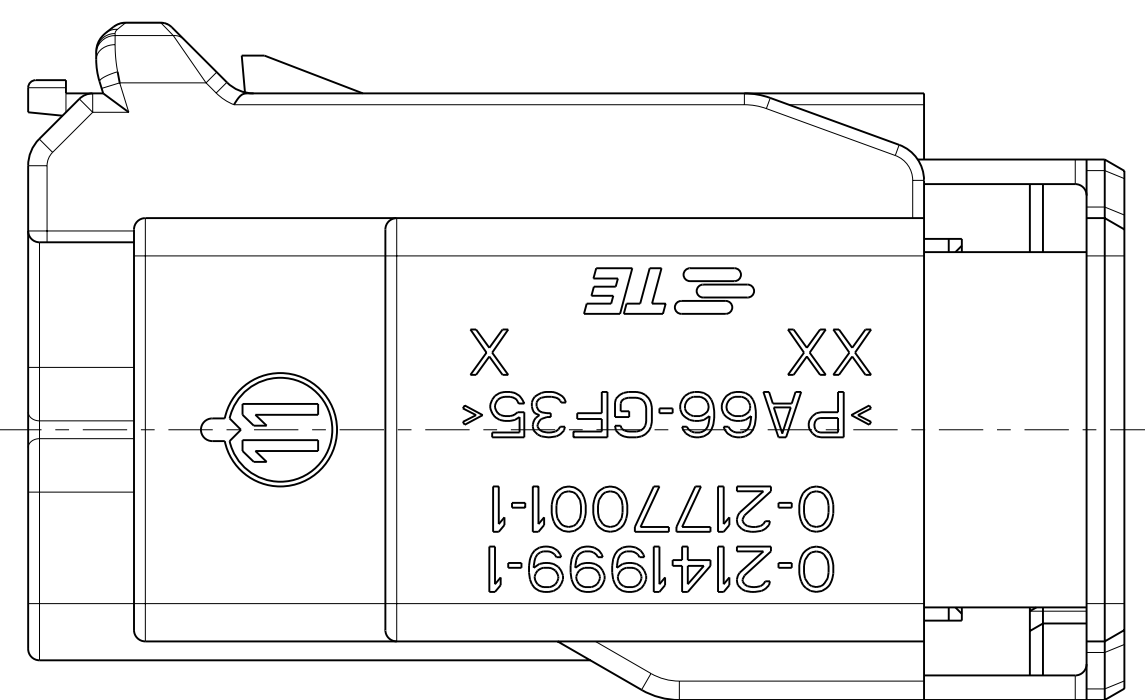


THIS DRAWING IS UNPUBLISHED. RELEASED FOR PUBLICATION 2011
 © COPYRIGHT 2011 ALL RIGHTS RESERVED.

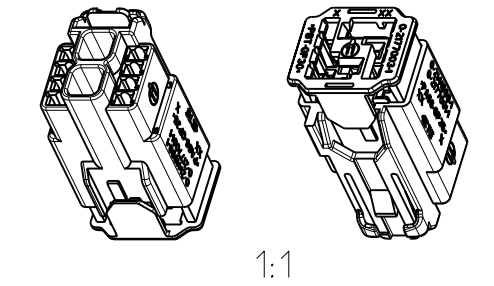
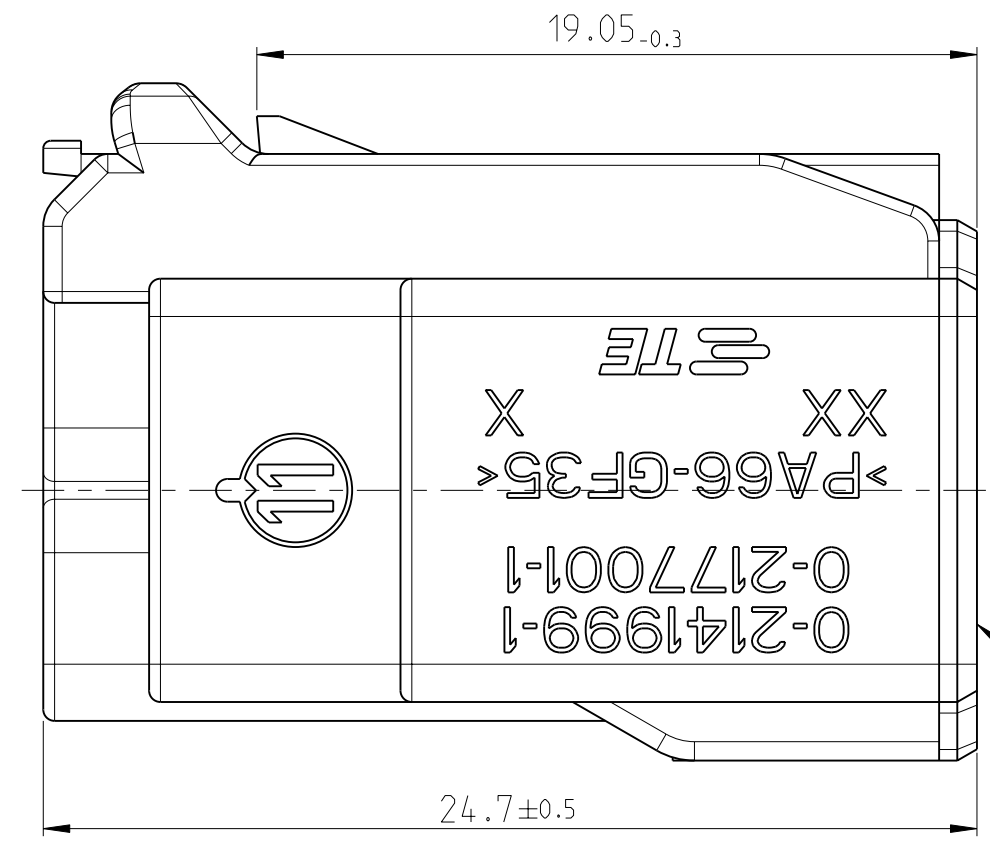
LOC	DIST	REVISIONS			
P	LTR	DESCRIPTION	DATE	DWN	APVD
A	-	NEW DRAWING	19APR2011	GP	GM
A1	-	CODING C AND CODING D ACTIVATED	21OCT2011	GP	GM
A2	-	ECR-11-022075	28OCT2011	GP	GM
B	-	ECR-12-005072	16MAR2012	GP	GM



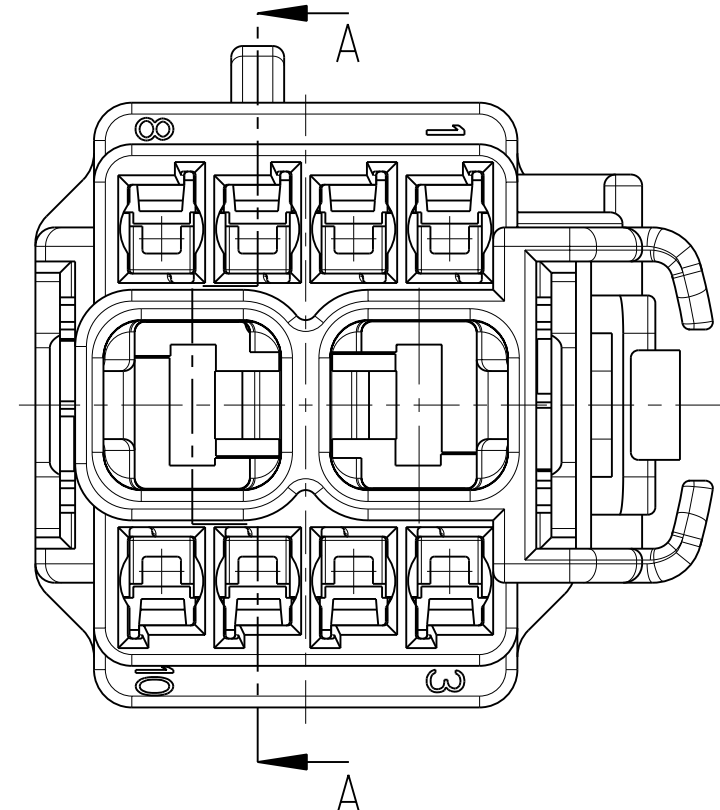
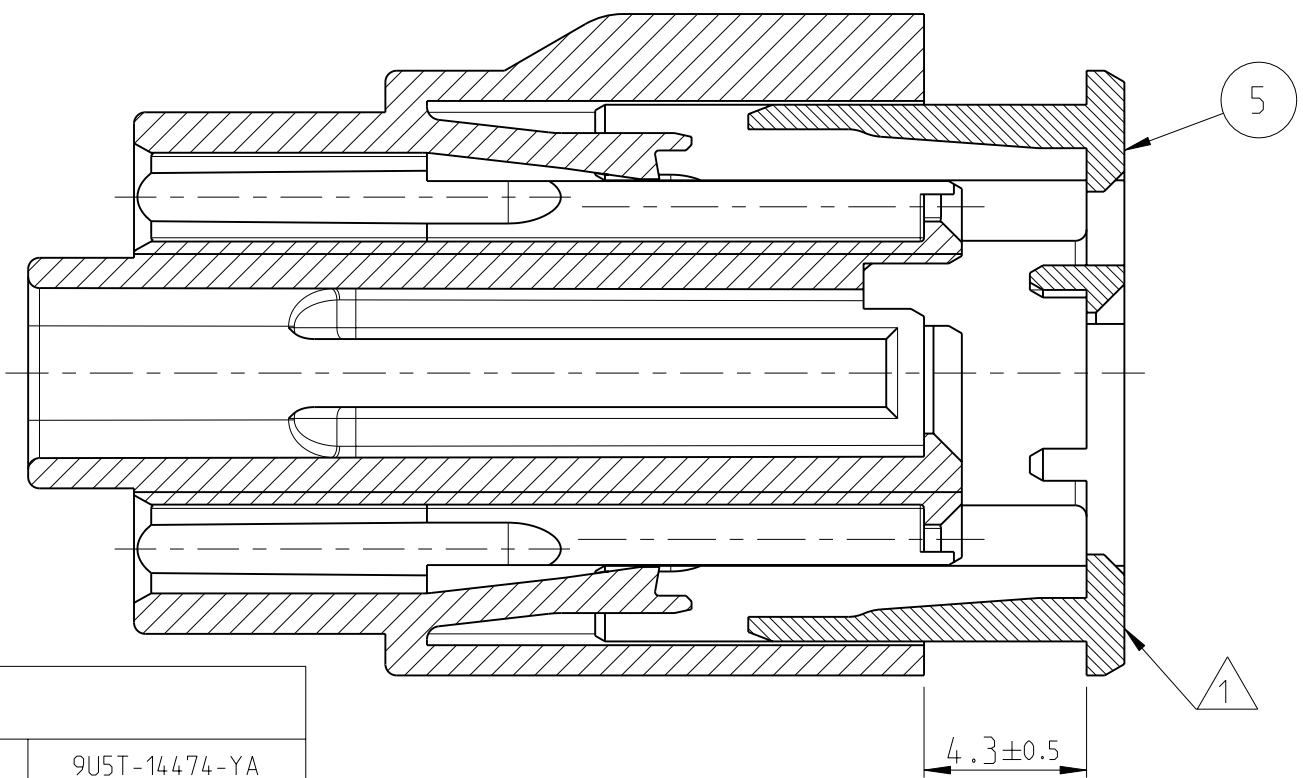
D	22.55
C	23.25
B	22.1
A	22.1
CODING min. Ø X	



A-A



1:1



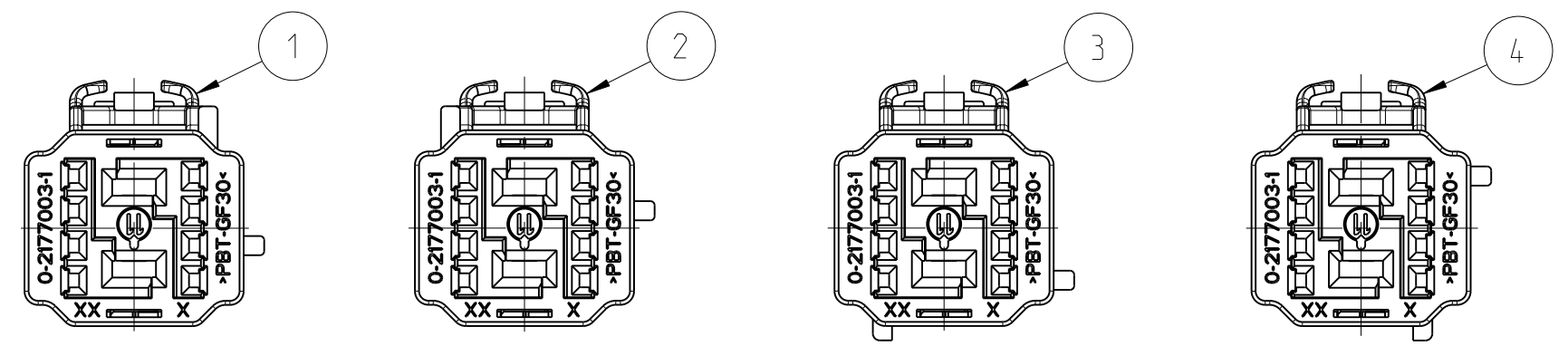
APPLICABLE TERMINALS

DESCRIPTION	PLATING COLOUR	TE CONNECTIVITY COMP. PART NO.	FORD COMP. PART NO.
0.64 GENERATION Y UNSEALED FEMALE TERMINAL (0.13mm ²)	TIN	0-1456574-5	9U5T-14474-YA
0.64 GENERATION Y UNSEALED FEMALE TERMINAL (0.35mm ² -0.50mm ²)	TIN	0-1456574-1	9U5T-14474-DA
0.64 GENERATION Y UNSEALED FEMALE TERMINAL (0.75mm ²)	TIN	0-1456574-2	9U5T-14474-EA
2.8 UNSEALED FEMALE TERMINAL	TIN	FCI PART	XF2T-14474-BA
2.8 UNSEALED FEMALE TERMINAL	TIN	FCI PART	XF2T-14474-CA
2.8 UNSEALED FEMALE TERMINAL	TIN	FCI PART	F8VB-14474-BA
2.8 UNSEALED FEMALE TERMINAL	TIN	FCI PART	F8VB-14474-AA

NOTES:
 Bemerkungen:
 1 DELIVERY CONDITION: SPACER IN PRE-LOCK POSITION
 Auslieferungszustand: Spacer in Vorraststellung
 2 SPACER IN END-LOCK POSITION
 Spacer in Endraststellung

QTY REQD PER ASSY	PART NO	DESCRIPTION	COLOUR	ITEM NO	
1x	0-2177003-1	10POS. SPACER	RED SIMILAR RAL3000	5	
1x	0-2177619-1	10POS. HYBRID RECEPTACLE HOUSING CODING D	GREEN SIMILAR RAL6018	4	
-	0-2177618-1	10POS. HYBRID RECEPTACLE HOUSING CODING C	BLUE SIMILAR RAL5012	3	
-	0-2177002-1	10POS. HYBRID RECEPTACLE HOUSING CODING B	GREY SIMILAR RAL7037	2	
-	0-2177001-1	10POS. HYBRID RECEPTACLE HOUSING CODING A	BLACK SIMILAR RAL9011	1	
-	0-2177613-1	0-2177612-1	0-2177000-1	0-2141999-1	PART NO
REVISION OF EACH ASSY NO (WHEN BLANK, USE DWG REVISION)					

0-2141999-1 CODING A / BLACK 0-2177000-1 CODING B / GREY 0-2177612-1 CODING C / BLUE 0-2177613-1 CODING D / GREEN



2:1

-1 AS SHOWN wie gezeichnet

THIS DRAWING IS A CONTROLLED DOCUMENT. DWN G.PUCKEL 19APR2011
 CHK K.ROTH 19APR2011
 APVD G.MUMPER 20APR2011

TE Connectivity

NAME 10POS. HYBRID RECEPTACLE HOUSING ASSEMBLY
 8 x GENERATION Y AND 2 x APEX2.8

SIZE A2 CAGE CODE 00779 DRAWING NO C-2141999 RESTRICTED TO -

MATERIAL - FINISH - WEIGHT - APPLICATION SPEC -

CUSTOMER DRAWING SCALE 5:1 SHEET 1 OF 1 REV B

X-ON Electronics

Largest Supplier of Electrical and Electronic Components

Click to view similar products for [Automotive Connectors](#) category:

Click to view products by [TE Connectivity](#) manufacturer:

Other Similar products are found below :

[003-018-000](#) [60993906-B](#) [72.330.1035.1](#) [F358300-B](#) [F407400](#) [776880-1](#) [827153-1](#) [8N1515-32-24P](#) [9-1326729-8](#) [925474-1](#) [928905-1](#)
[964562-4](#) [968782-1](#) [98891-1012](#) [12004475-L](#) [12041318-B](#) [12052466](#) [12015909](#) [1-21030-1](#) [12041318](#) [12047957](#) [12185550](#) [12336-12](#)
[12147304](#) [1-326211-1](#) [13681974](#) [13783086](#) [13832576](#) [13542772](#) [13675513](#) [1428188-1](#) [1437287-3](#) [1428188-2](#) [DS07-19S-5020](#) [1456983-5](#)
[1456987-7](#) [APD-7CP-H](#) [APK-SB25A10L](#) [1452931-2](#) [15336198](#) [15491972](#) [15305306](#) [15396680](#) [15425613](#) [15518544](#) [15522351](#) [1719636-1](#)
[172190-2](#) [172190-5](#) [192900-0402](#)