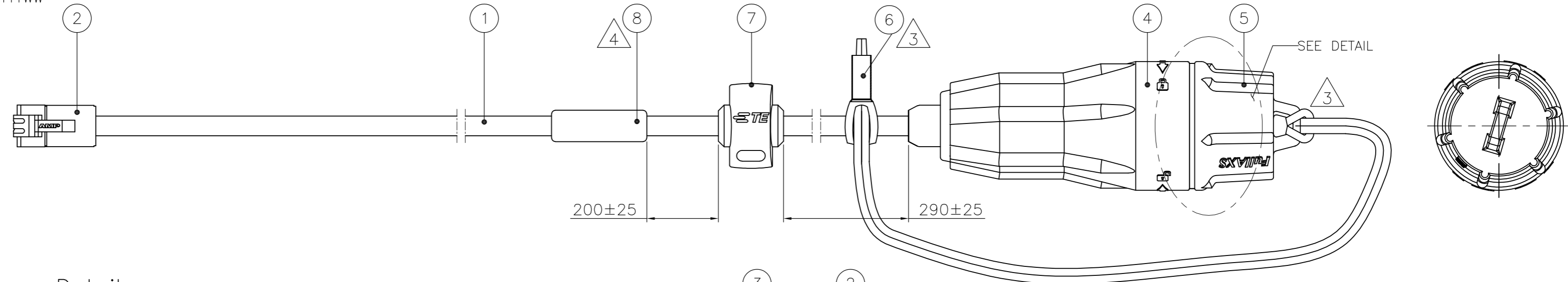


THIS DRAWING IS UNPUBLISHED. RELEASED FOR PUBLICATION
 © COPYRIGHT - Te Connectivity, Netherlands ALL RIGHTS RESERVED.

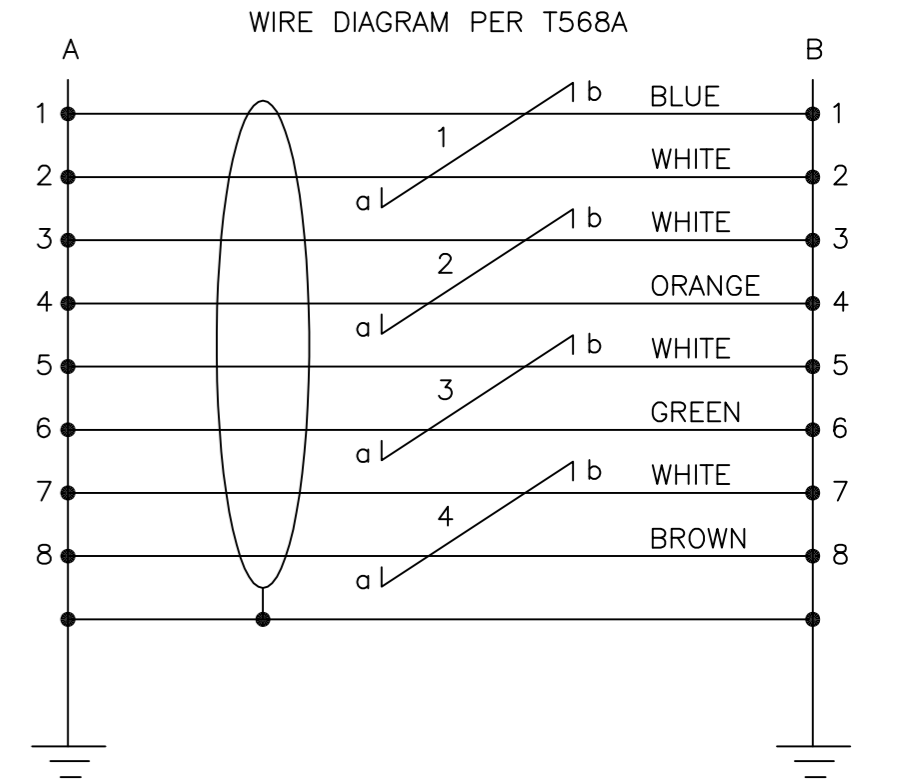
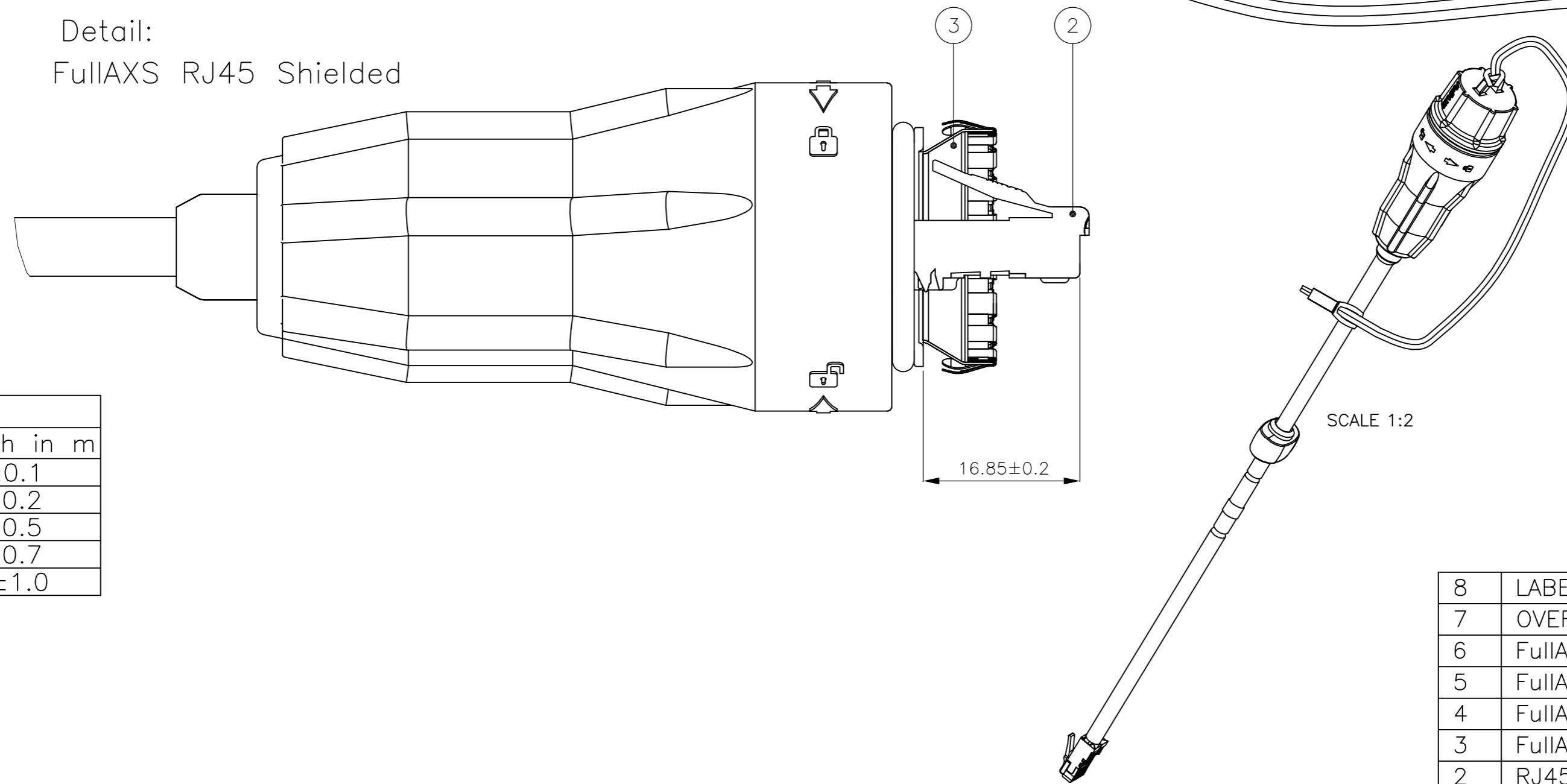
LOC	DIST	REVISIONS			
P	LTR	DESCRIPTION	DATE	DWN	APVD
	D	ECR-17-002734	01FEB17	JW	HZ
	C	ECR-14-008927	01JUL14	RC	WM

NOTES:

- 1 PRODUCT NAME: FULLAXS SIGNAL CABLE
- 2 PRODUCTS AND PROCESSING MEET REQUIREMENTS OF TEC-138-702
- 3 DUST CAP STRAP IS ATTACHED TO THE CABLE BY A LOOP THROUGH THE DUST CAP AND A LOOP AROUND THE CABLE
- 4 CABLE ASSEMBLIES LABELED WITH WRAP-AROUND LABEL WITH THE FOLLOWING INFORMATION:
 - FULLAXS SIGNAL
 - TE PART NUMBER
 - REVISION
 - LENGTH
 - MANUFACTURING DATE FORMAT YYYYWW

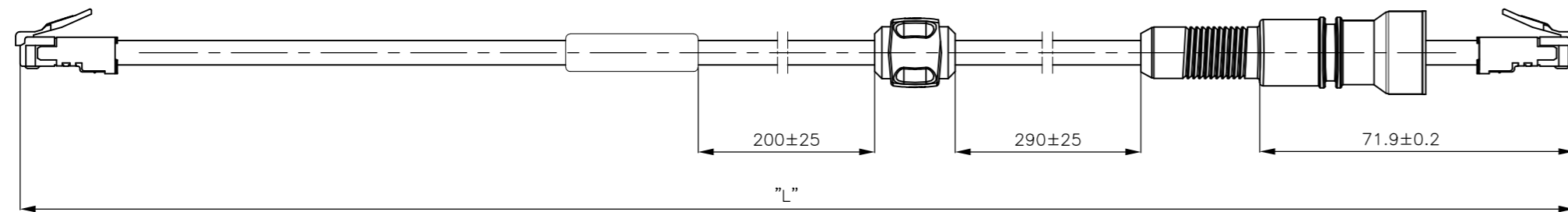


Detail: FullAXS RJ45 Shielded



FXS RJ45-RJ45	
TE PN	"L" Length in m
2142757-1	10 ±0.1
2142757-2	20 ±0.2
2142757-3	50 ±0.5
2142757-4	70 ±0.7
2142757-5	100 ±1.0

8	LABEL	1	PC
7	OVER MOULD STOPPER	1	PC
6	FullAXS DUST CAP STRAP	1	PC
5	FullAXS DUST CAP	1	PC
4	FullAXS CONNECTOR PLUG	1	PC
3	FullAXS RJ45 SHIELDING	1	PC
2	RJ45 CONNECTOR	2	PC
1	POE CABLE CAT5 4x2x26 AWG	"L"	M
ITEM	DESCRIPTION	QTY	UoM



THIS DRAWING IS A CONTROLLED DOCUMENT.

DIMENSIONS: mm	TOLERANCES UNLESS OTHERWISE SPECIFIED:	DWN T. BURZYNSKI 03APR2012	TE Connectivity
		CHK W. MOONEN 03APR2012	
		APVD J. KLERKS 03APR2012	NAME
			CABLE ASSY AWG26, SIGNAL FLOATING FULLAXS RJ45 SHIELDED - RJ45
MATERIAL	FINISH	WEIGHT 0	SIZE A2 CAGE CODE 00779 DRAWING NO C=2142757 RESTRICTED TO
		CUSTOMER DRAWING	SCALE NTS SHEET 1 OF 1 REV D

X-ON Electronics

Largest Supplier of Electrical and Electronic Components

Click to view similar products for [Ethernet Cables / Networking Cables](#) category:

Click to view products by [TE Connectivity](#) manufacturer:

Other Similar products are found below :

[73-6670-7](#) [73-6680-15](#) [73-7797-25](#) [84909-0204](#) [1200700174](#) [1200860368](#) [E16A06002M030](#) [E200102-009-S1](#) [AX105346-EW](#) [MT14-187L](#)
[17-103530](#) [ERWPAB3002M005](#) [190-038045-01](#) [NK5EPC18RDY](#) [NK5EPC18VLY](#) [NK5EPC18YLY](#) [NK5EPC1GRY](#) [NK5EPC4Y](#)
[NK5EPC6YLY](#) [NK5EPC8BLY](#) [NK5EPC9YLY](#) [1969343-6](#) [C501100010](#) [C501106002](#) [C501106007](#) [C501106015](#) [C501106025](#) [C601102010](#)
[C601104010](#) [C601106007](#) [C601106015](#) [2142758-2](#) [2168427-2](#) [CAT1106007](#) [21949-1](#) [2J1866A](#) [RJF SFTP 5E 0500](#) [AX100351](#)
[MN14CEC/ST](#) [C501100015](#) [C501106004](#) [C501106010](#) [C5F1108007](#) [C601104004](#) [C601106004](#) [CA21106004](#) [CA21106010](#) [CA21106015](#)
[CA21109007](#) [CA21109010](#)