

THIS DRAWING IS UNPUBLISHED.

RELEASED FOR PUBLICATION

ALL RIGHTS RESERVED.

© COPYRIGHT - By -

LOC - -

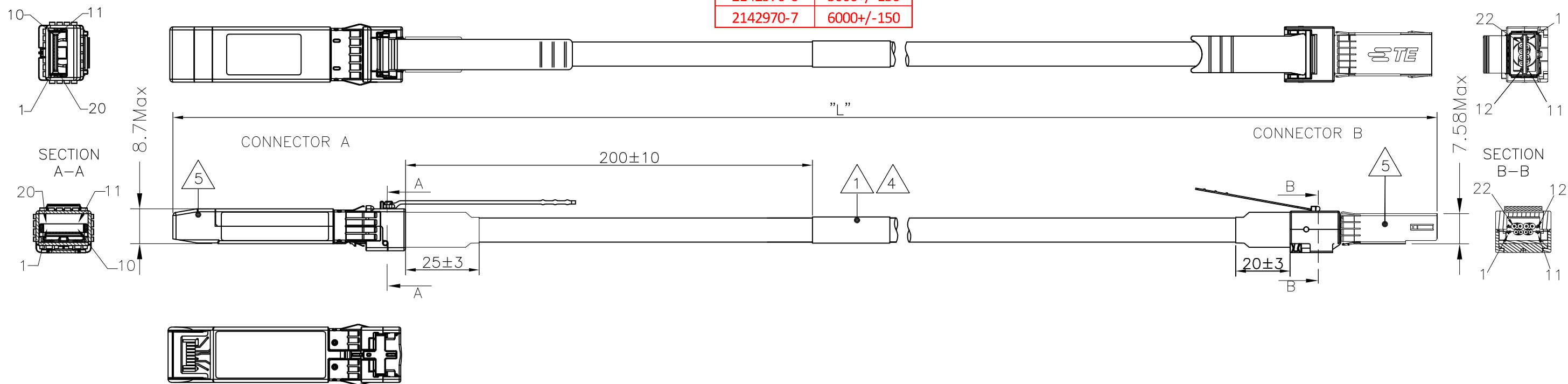
DIST - -

REVISIONS

P	LTR	DESCRIPTION	DATE	DWN	APVD
5	-		20NOV2014	WZ	RL

TE PN	LENGTH "L"
2142970-1	500+/-15
2142970-2	1000+/-25
2142970-3	2000+/-50
2142970-4	3000+/-75
2142970-5	4000+/-125
2142970-6	5000+/-150
2142970-7	6000+/-150

PRELIMINARY PART
NOT RELEASED FOR PRODUCTION



Notes:

1. LABEL:

STE 2142970-[]
micro SFP+ TO SFP+
YYWWSSSS
[Barcode]

2. ASSEMBLY TO BE TESTED FOR CONTINUITY, OPENS, SHORTS, EEPROM PROGRAM AND SIGNAL INTEGRITY.

4. SEE SHEET 2 FOR WIRING SCHEMATIC. PROGRAM EEPROM PER 2142970_EEPROM.

4. IN CASE ASSY LENGTH < 0.4M THEN PLACE LABEL IN THE MIDDLE.

5. SLIDE DUST CAP OVER CONNECTOR (DUST CAP NOT SHOWN ON DRAWING)

PRODUCT AND PROCESSING MUST MEET REQUIREMENTS OF TE CONNECTIVITY ENVIRONMENTAL STANDARD TEC-138-702

THIS DRAWING IS A CONTROLLED DOCUMENT.

DIMENSIONS:	TOLERANCES UNLESS OTHERWISE SPECIFIED:
mm	
	0 PLC ± -
	1 PLC ± -
	2 PLC ± -
	3 PLC ± -
	4 PLC ± -
	ANGLES ± -
MATERIAL	FINISH
-	-

DWN	9SEP2014
WILL ZI	
CHK	-
Zhang, Finn	
APVD	-
Roel Lokven van	
PRODUCT SPEC	
APPLICATION SPEC	
WEIGHT	-



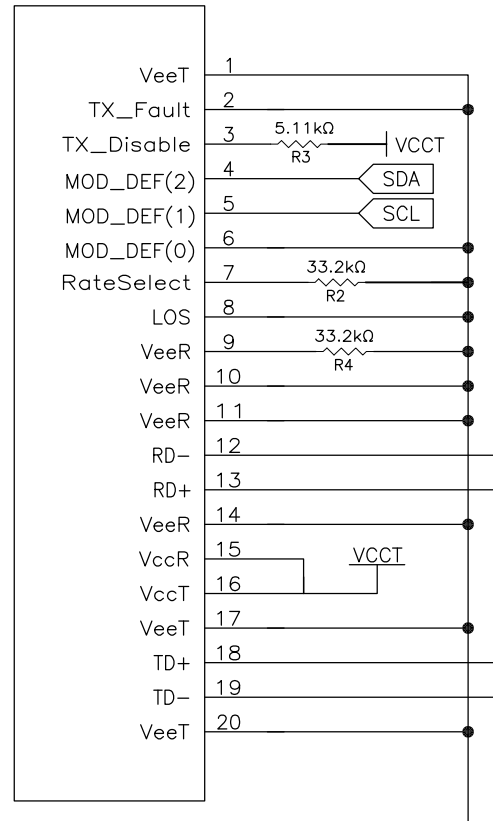
NAME			
Micro SFP+ to SFP+			
SIZE	CAGE CODE	DRAWING NO	RESTRICTED TO
A3	00779	C-2142970	-
CUSTOMER DRAWING		SCALE	SHEET
		1:1	1 of 2
		REV	5

THIS DRAWING IS UNPUBLISHED. RELEASED FOR PUBLICATION
 © COPYRIGHT - By - ALL RIGHTS RESERVED.

LOC	DIST	REVISIONS					
		P	LTR	DESCRIPTION	DATE	DWN	APVD
-	-	-	-	SEE SHEET 1	-	-	-

CONNECTOR A

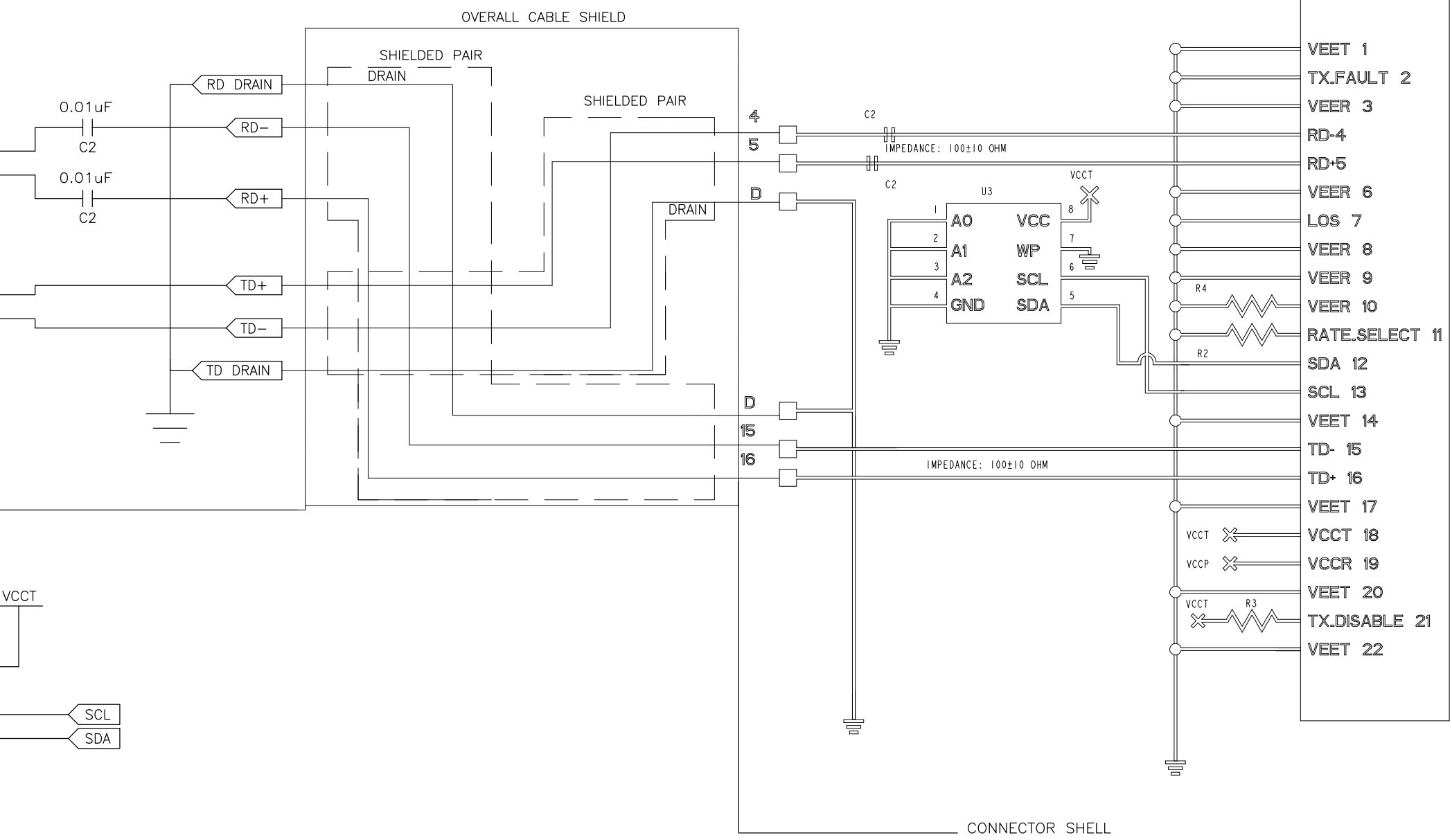
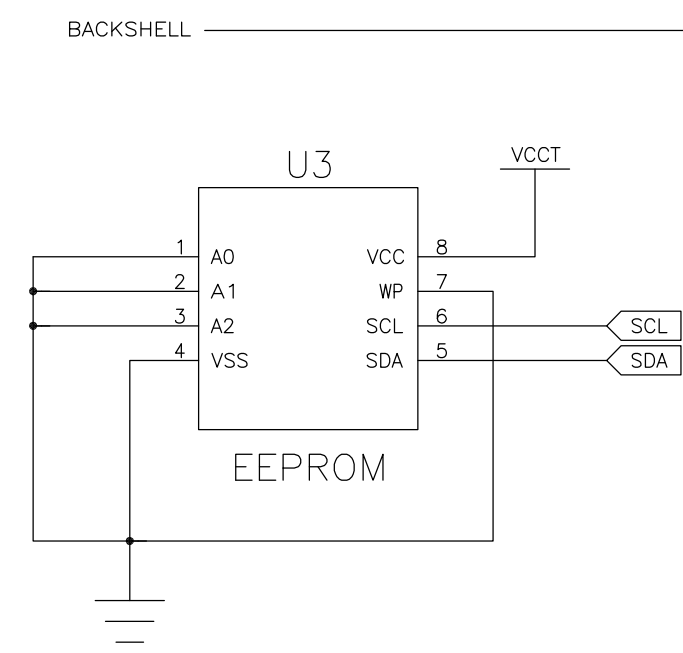
SFP+



WIRE DIAGRAM

CONNECTOR B

micro SFP+



THIS DRAWING IS A CONTROLLED DOCUMENT.		DWN	9SEP2014		STE TE Connectivity											
DIMENSIONS: mm		CHK	-													
TOLERANCES UNLESS OTHERWISE SPECIFIED:		APVD	-													
<table border="1"> <tr><td>0 PLC</td><td>± -</td></tr> <tr><td>1 PLC</td><td>± -</td></tr> <tr><td>2 PLC</td><td>± -</td></tr> <tr><td>3 PLC</td><td>± -</td></tr> <tr><td>4 PLC</td><td>± -</td></tr> <tr><td>ANGLES</td><td>± -</td></tr> </table>		0 PLC	± -	1 PLC		± -	2 PLC	± -	3 PLC	± -	4 PLC	± -	ANGLES	± -	NAME	Micro SFP+ to SFP+
0 PLC	± -															
1 PLC	± -															
2 PLC	± -															
3 PLC	± -															
4 PLC	± -															
ANGLES	± -															
MATERIAL		PRODUCT SPEC	-		RESTRICTED TO											
FINISH		APPLICATION SPEC	-		SIZE											
-		WEIGHT	-		CAGE CODE											
-		CUSTOMER DRAWING		DRAWING NO	RESTRICTED TO											
-		-		A3 00779 C-2142970	SCALE											
-		-		1:1	SHEET											
-		-		2 OF 2	REV											
-		-		5												

X-ON Electronics

Largest Supplier of Electrical and Electronic Components

Click to view similar products for [Ethernet Cables / Networking Cables](#) category:

Click to view products by [TE Connectivity](#) manufacturer:

Other Similar products are found below :

[73-6670-7](#) [73-6680-15](#) [73-7797-25](#) [84909-0204](#) [1200700174](#) [1200860368](#) [E16A06002M030](#) [E200102-009-S1](#) [AX105346-EW](#) [MT14-187L](#)
[17-103530](#) [ERWPAB3002M005](#) [190-038045-01](#) [NK5EPC18RDY](#) [NK5EPC18VLY](#) [NK5EPC18YLY](#) [NK5EPC1GRY](#) [NK5EPC4Y](#)
[NK5EPC6YLY](#) [NK5EPC8BLY](#) [NK5EPC9YLY](#) [1969343-6](#) [C501100010](#) [C501106002](#) [C501106007](#) [C501106015](#) [C501106025](#) [C601102010](#)
[C601104010](#) [C601106007](#) [C601106015](#) [2142758-2](#) [2168427-2](#) [CAT1106007](#) [21949-1](#) [2J1866A](#) [RJF SFTP 5E 0500](#) [AX100351](#)
[MN14CEC/ST](#) [C501100015](#) [C501106004](#) [C501106010](#) [C5F1108007](#) [C601104004](#) [C601106004](#) [CA21106004](#) [CA21106010](#) [CA21106015](#)
[CA21109007](#) [CA21109010](#)