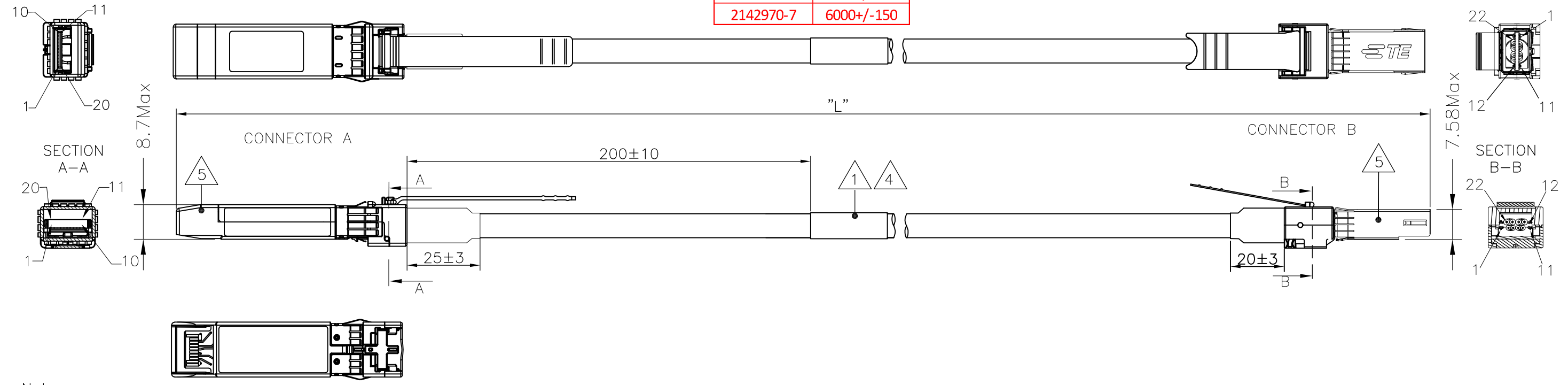


THIS DRAWING IS UNPUBLISHED. RELEASED FOR PUBLICATION
 © COPYRIGHT - By - ALL RIGHTS RESERVED.

| LOC | DIST | REVISIONS | | | | |
|-----|------|-------------|------|-----------|------|----|
| P | LTR | DESCRIPTION | DATE | DWN | APVD | |
| - | - | 5 | - | 20NOV2014 | WZ | RL |

| TE PN | LENGTH "L" |
|-----------|------------|
| 2142970-1 | 500+/-15 |
| 2142970-2 | 1000+/-25 |
| 2142970-3 | 2000+/-50 |
| 2142970-4 | 3000+/-75 |
| 2142970-5 | 4000+/-125 |
| 2142970-6 | 5000+/-150 |
| 2142970-7 | 6000+/-150 |

PRELIMINARY PART
 NOT RELEASED FOR PRODUCTION



Notes:
 1. LABEL:

STE 2142970-[]
 micro SFP+ TO SFP+
 YYWWSSSS



- 2. ASSEMBLY TO BE TESTED FOR CONTINUITY, OPENS, SHORTS, EEPROM PROGRAM AND SIGNAL INTEGRITY.
- 4. SEE SHEET 2 FOR WIRING SCHEMATIC. PROGRAM EEPROM PER 2142970_EEPROM.
- 4. IN CASE ASSY LENGTH < 0.4M THEN PLACE LABEL IN THE MIDDLE.
- 5. SLIDE DUST CAP OVER CONNECTOR (DUST CAP NOT SHOWN ON DRAWING)

PRODUCT AND PROCESSING MUST MEET REQUIREMENTS OF TE CONNECTIVITY ENVIRONMENTAL STANDARD TEC-138-702

THIS DRAWING IS A CONTROLLED DOCUMENT.

| DIMENSIONS: | TOLERANCES UNLESS OTHERWISE SPECIFIED: |
|-------------|--|
| mm | |
| | 0 PLC ± - |
| | 1 PLC ± - |
| | 2 PLC ± - |
| | 3 PLC ± - |
| | 4 PLC ± - |
| | ANGLES ± - |
| MATERIAL | FINISH |
| - | - |

| | | |
|------------------|-----------------|----------------------------|
| DWN | 9SEP2014 | STE TE Connectivity |
| CHK | WILL ZI | |
| APVD | Zhang, Finn | |
| PRODUCT SPEC | Roel Lokven van | NAME |
| APPLICATION SPEC | | Micro SFP+ to SFP+ |
| WEIGHT | | RESTRICTED TO |
| CUSTOMER DRAWING | | SIZE |
| SCALE 1:1 | | CAGE CODE |
| SHEET 1 of 2 | | DRAWING NO |
| REV 5 | | G=2142970 |

THIS DRAWING IS UNPUBLISHED. RELEASED FOR PUBLICATION
 © COPYRIGHT - By - ALL RIGHTS RESERVED.

| LOC | DIST | REVISIONS | | | | | |
|-----|------|-----------|-----|-------------|------|-----|------|
| | | P | LTR | DESCRIPTION | DATE | DWN | APVD |
| - | - | - | - | SEE SHEET 1 | - | - | - |

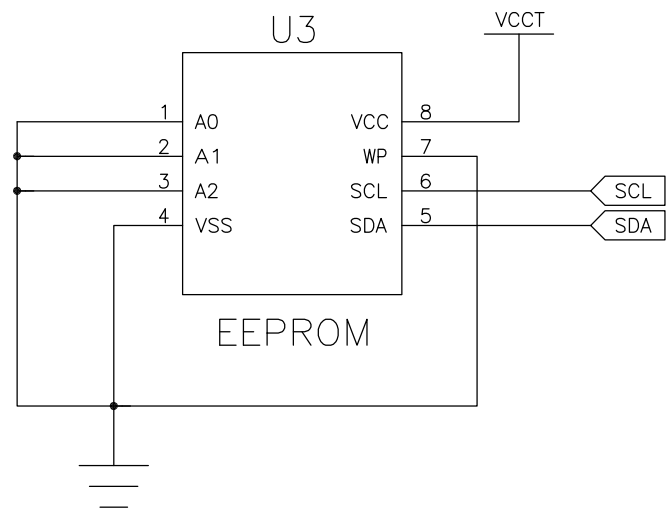
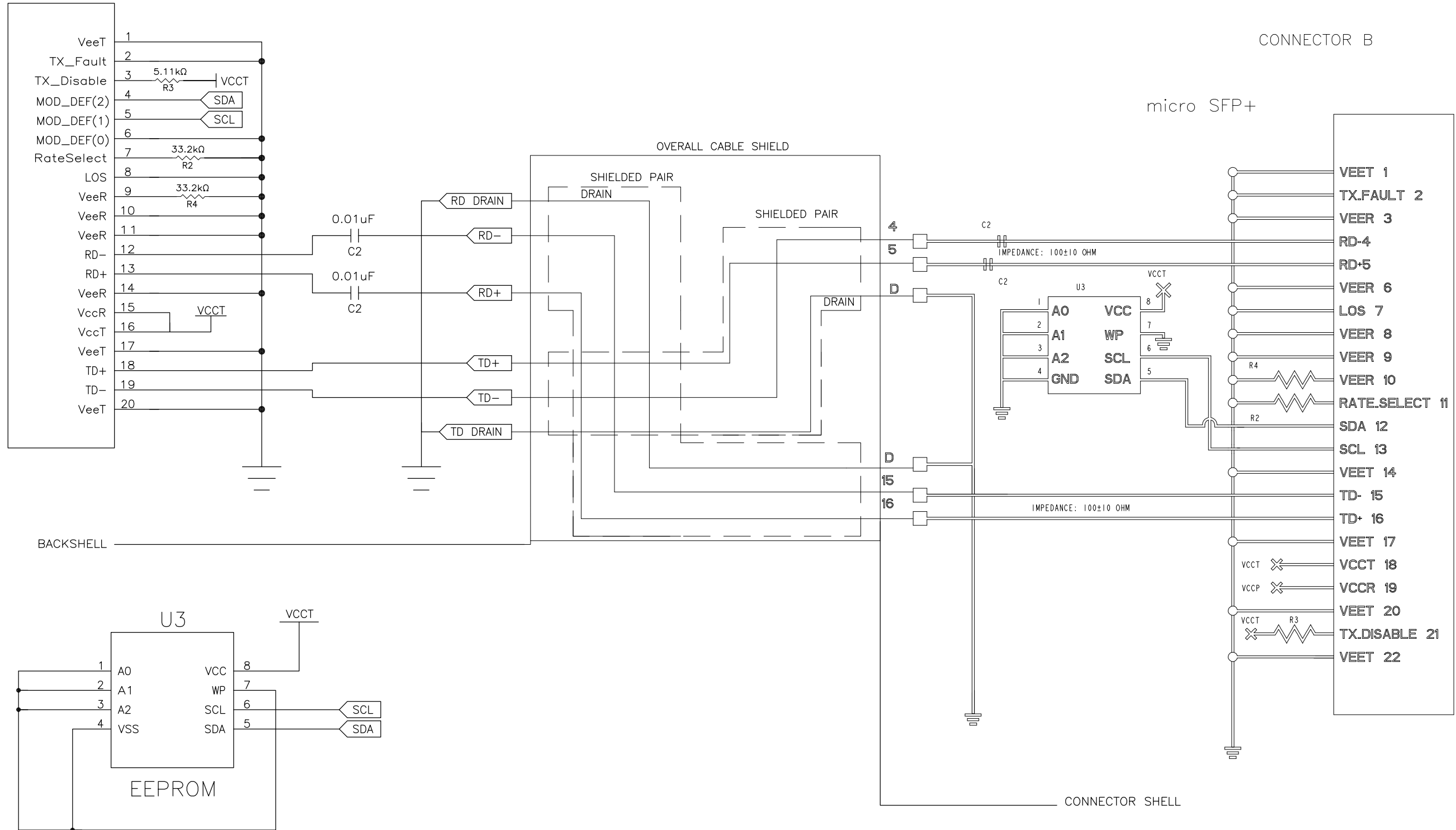
CONNECTOR A


SFP+

WIRE DIAGRAM

CONNECTOR B

micro SFP+



| | | | | | |
|--|--|------------------|----------|---|-----------|
| THIS DRAWING IS A CONTROLLED DOCUMENT. | | DWN | 9SEP2014 |  TE Connectivity | |
| DIMENSIONS: mm | | CHK | - | | |
| TOLERANCES UNLESS OTHERWISE SPECIFIED: | | APVD | - | NAME Micro SFP+ to SFP+ | |
| 0 PLC ± - | | APVD | - | | |
| 1 PLC ± - | | PRODUCT SPEC | - | SIZE A3 | |
| 2 PLC ± - | | APPLICATION SPEC | - | | |
| 3 PLC ± - | | WEIGHT | - | CAGE CODE | 00779 |
| 4 PLC ± - | | MATERIAL | | DRAWING NO | C-2142970 |
| ANGLES ± - | | FINISH | | RESTRICTED TO | - |
| CUSTOMER DRAWING | | SCALE | | 1:1 | SHEET |
| | | SHEET | | 2 OF 2 | REV |
| | | REV | | 5 | |

X-ON Electronics

Largest Supplier of Electrical and Electronic Components

Click to view similar products for [Ethernet Cables / Networking Cables](#) category:

Click to view products by [TE Connectivity](#) manufacturer:

Other Similar products are found below :

[73-6670-7](#) [73-6680-15](#) [73-7797-25](#) [MCJB2-10P6Q7-120](#) [84909-0204](#) [1200700174](#) [1200860368](#) [E16A06002M030](#) [E200102-009-S1](#)
[AX105346-EW](#) [MT14-187L](#) [17-103530](#) [ERWPAB3002M005](#) [190-038045-01](#) [NK5EPC18RDY](#) [NK5EPC18VLY](#) [NK5EPC18YLY](#)
[NK5EPC1GRY](#) [NK5EPC4Y](#) [NK5EPC6YLY](#) [NK5EPC8BLY](#) [NK5EPC9YLY](#) [1969343-6](#) [C501100010](#) [C501106002](#) [C501106007](#)
[C501106015](#) [C501106025](#) [C601102010](#) [C601104010](#) [C601106007](#) [C601106015](#) [2142758-2](#) [2168427-2](#) [CAT1106007](#) [21949-1](#) [2J1866A](#)
[RJF SFTP 5E 0500](#) [AX100351](#) [MN14CEC/ST](#) [C501100015](#) [C501106004](#) [C501106010](#) [C5F1108007](#) [C601104004](#) [C601106004](#)
[CA21106004](#) [CA21106010](#) [CA21106015](#) [CA21109007](#)